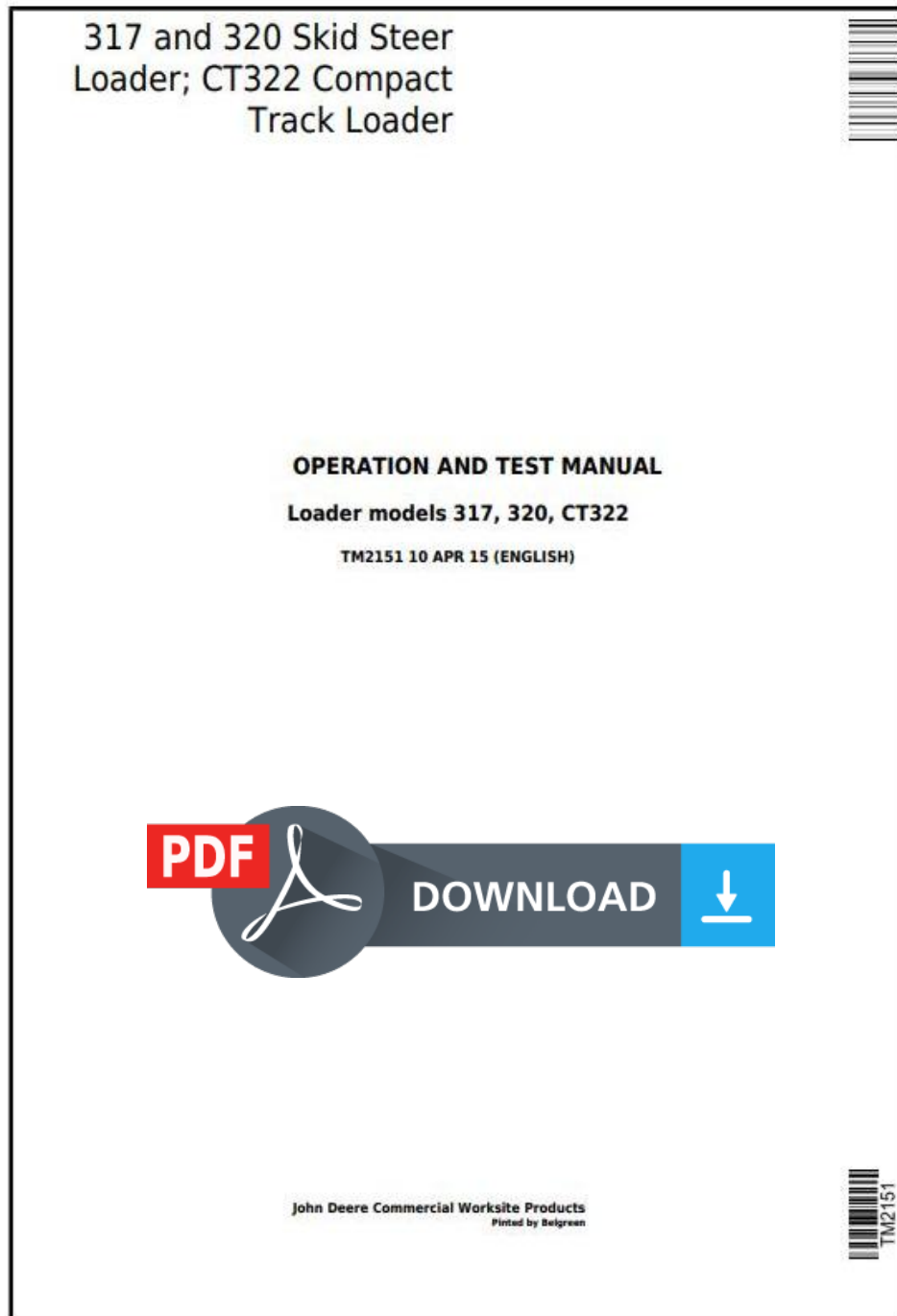


John Deere 4710 Self-Propelled Sprayer (SN.from 004001) Diagnostic and Tests Service Manual (TM2108)



Covers: 4710,004001

Type: Service Manual

Language: English

Pages: 1419

Format: PDF

Features: Bookmarked, searchable, printable

Compatibility: Windows/Mac/Tablet/Mobile

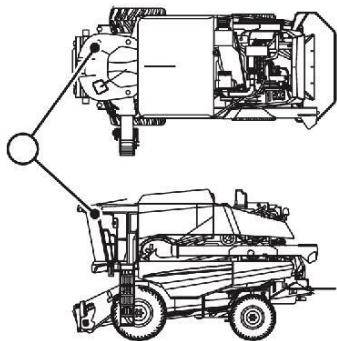
This service manual contains important information for the maintenance, troubleshooting and servicing of the **John Deere 4710 Self-Propelled Sprayer (SN.from 004001) Diagnostic and Tests Service Manual (TM2108)**

In this manual you will find detailed specifications, illustrations, schematics, diagrams and step-by-step procedures to properly service and diagnose the machine to the manufacturer's standards.

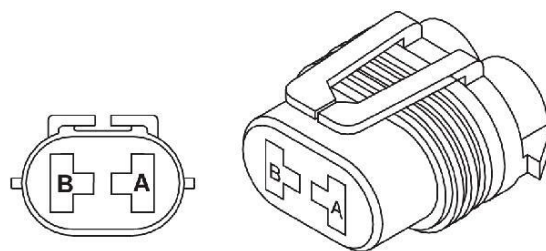
Contents:

- General Information
- Specifications
- Serial Number Location
- Engine Specifications
- Engine Diagnostics
- Engine Tests and Adjustments
- Engine Repair
- Power Train
- Transmission
- Axles
- Differential
- PTO
- Hydraulic System
- Electrical System
- Electrical Tests and Diagnostics
- Wiring Diagram / Schematic
- Ignition and Charging
- Steering
- Brakes
- Wheels
- Operator's Platform
- Body Panels
- Disassembly and Assembly
- Diagnostics, Tests and Adjustments
- Troubleshooting
- and much more...

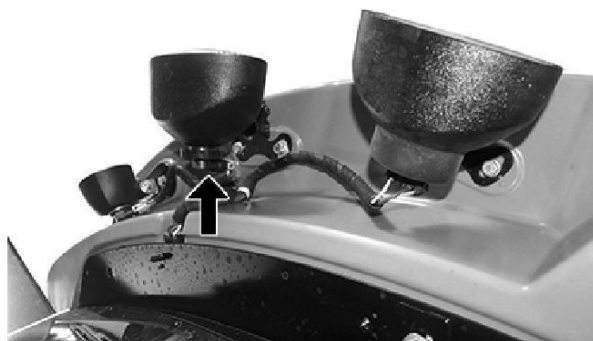
Please note this manual is in **downloadable PDF format only**. If you have any questions about this product or would like to request sample pages, please contact us and reference the product name or SKU.



BM007096-UN: -



RXA0060715-UN: -



BM007422-UN: -

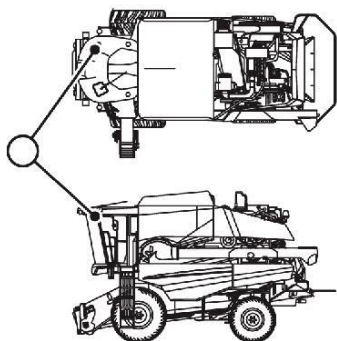
Component Information	
Number of Pins	2
Connection Point	E2 - Cab Roof Light 2
Harness Information	W30 - Light Extension Wiring Harness

Pin	Circuit	Color
A	8589	White
B	0010	Black

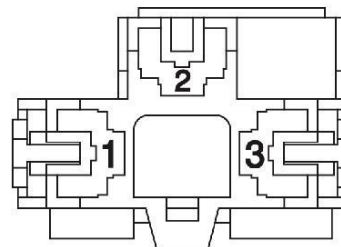
RL81299,0000575-19-20161013

XE003 - Cab Roof Light 3 Connector

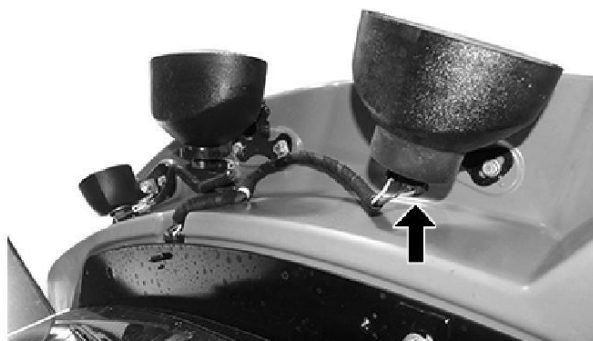
BM007423-UN: -



BM007096-UN: -



BM007041-UN: -



Component Information	
Number of Pins	3
Connection Point	E3 - Cab Roof Light 3
Harness Information	W30 - Light Extension Wiring Harness

Pin	Circuit	Color
1	8307	Purple
2	8583	Orange
3	0010	Black

RS85424,000027C-19-20161013

XE003-1 - Left Front Marker & Hazard Light Connector



Thank you very much
for your reading.
Please click here
to get more information.