

John Deere 4730, 4830 Self-Propelled Sprayers Diagnostic and Tests Service Manual (TM2369)

4730/4830 Self-Propelled Sprayer Diagnostic



DIAGNOSIS AND TESTS MANUAL

Self-Propelled Sprayers models 4730, 4830

TM2369 09 JUL 15 (ENGLISH)

For complete service information also see:

4730 and 4830 Self-Propelled Sprayer Repair	TM2368
JDLINK (MTG) Technical Manual	TM114519
GreenStar 3 2630 Display Technical Solutions Manual	TM112219
JDPS Master Tool Manual	TM111119
GreenStar 2 Diagnostic	TM1061
Alternators and Stators	
CTM441 - Machine Components	
PowerTech 4045, 6068 Diesel Engines	
Denso High Pressure Common Rail	
120 Series Hydraulic Cylinders	CTM120519
PowerTech 4.5L & 6.8L Diesel Engines Tier 1/Stage I, Tier 2/Stage II, Tier 3/Stage IIIA, Tier 3/Stage IIA Tier 3/Stage III, (Base Engine)	CTM104
100 Series Hydraulic Cylinders	CTM103519



DOWNLOAD



John Deere Agriculture
Printed by Belgreen



TM2369

Covers: 4830,4730

Type: Service Manual

Language: English

Pages: 1932

Format: PDF

Features: Bookmarked, searchable, printable

Compatibility: Windows/Mac/Tablet/Mobile

This service manual contains important information for the maintenance, troubleshooting and servicing of the **John Deere 4730, 4830 Self-Propelled Sprayers Diagnostic and Tests Service Manual (TM2369)**

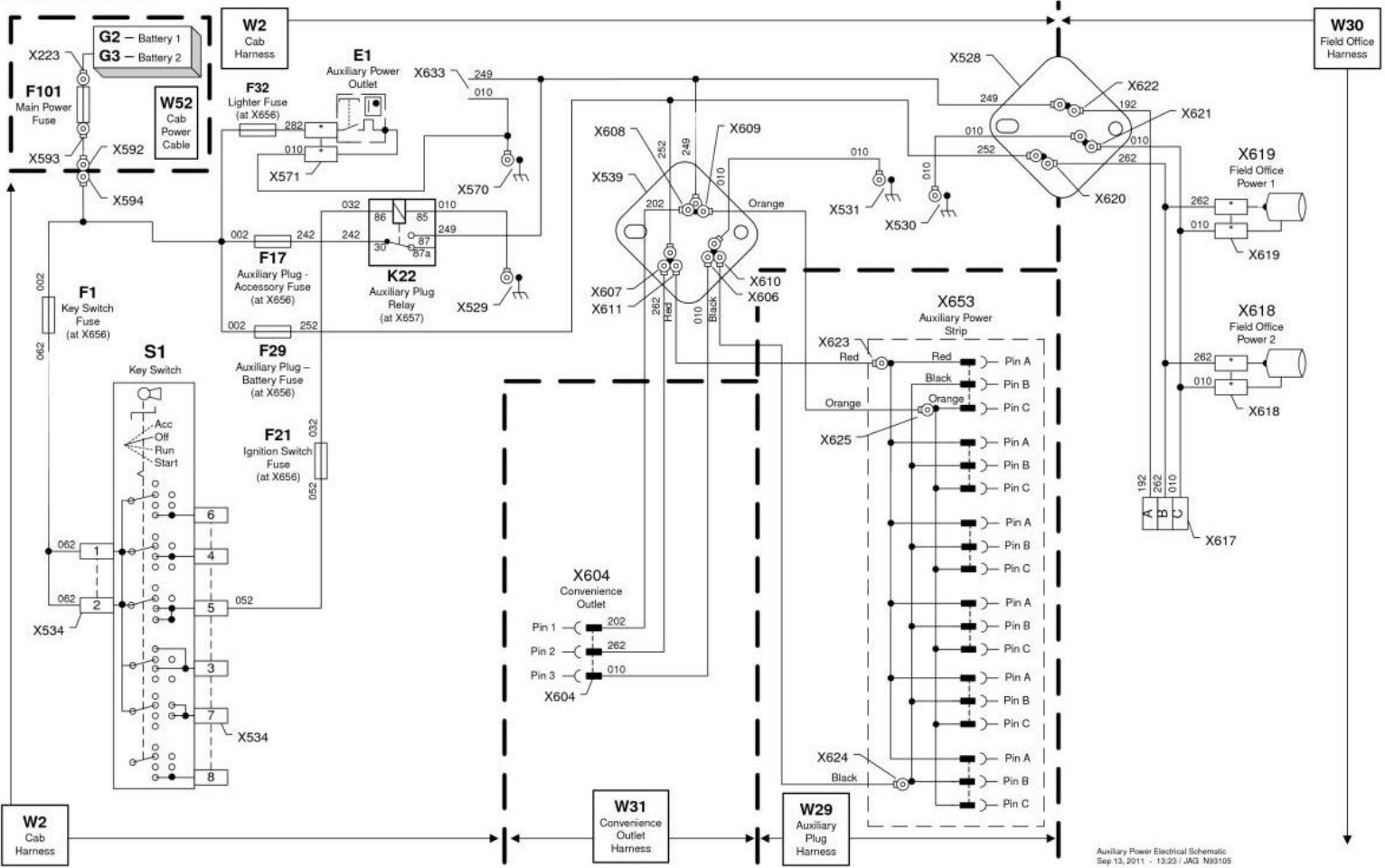
In this manual you will find detailed specifications, illustrations, schematics, diagrams and step-by-step procedures to properly service and diagnose the machine to the manufacturer's standards.

Contents:

- General Information
- Specifications
- Serial Number Location
- Engine Specifications
- Engine Diagnostics
- Engine Tests and Adjustments
- Engine Repair
- Power Train
- Transmission
- Axles
- Differential
- PTO
- Hydraulic System
- Electrical System
- Electrical Tests and Diagnostics
- Wiring Diagram / Schematic
- Ignition and Charging
- Steering
- Brakes
- Wheels
- Operator's Platform
- Body Panels
- Disassembly and Assembly
- Diagnostics, Tests and Adjustments
- Troubleshooting
- and much more...

Please note this manual is in **downloadable PDF format only**. If you have any questions about this product or would like to request sample pages, please contact us and reference the product name or SKU.

Auxiliary Power Schematic



Auxiliary Power Electrical Schematic
Sep 13, 2011 - 13:23 / JAG N93105

Auxiliary Power Schematic



Thank you very much
for your reading.
Please click here
to get more information.