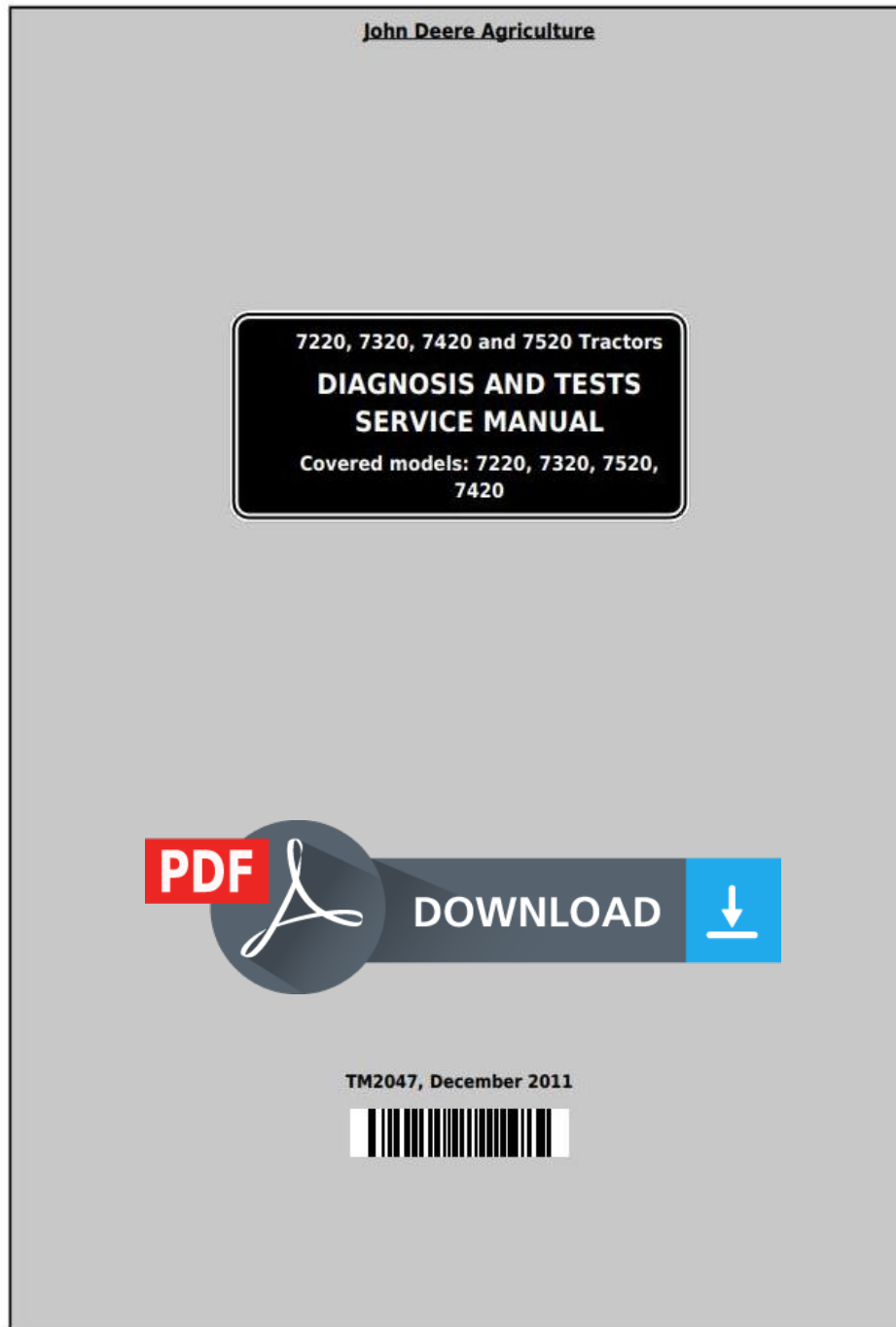


John Deere 4895 Self Propelled Hay & Forage Windrower (SN.-180000) Diagnostic Service Manual (tm2034)



Covers: 4895,180000)

Type: Service Manual

Language: English

Pages: 923

Format: PDF

Features: Bookmarked, searchable, printable

Compatibility: Windows/Mac/Tablet/Mobile

This service manual contains important information for the maintenance, troubleshooting and servicing of the **John Deere 4895 Self Propelled Hay & Forage Windrower (SN.-180000) Diagnostic Service Manual (tm2034)**

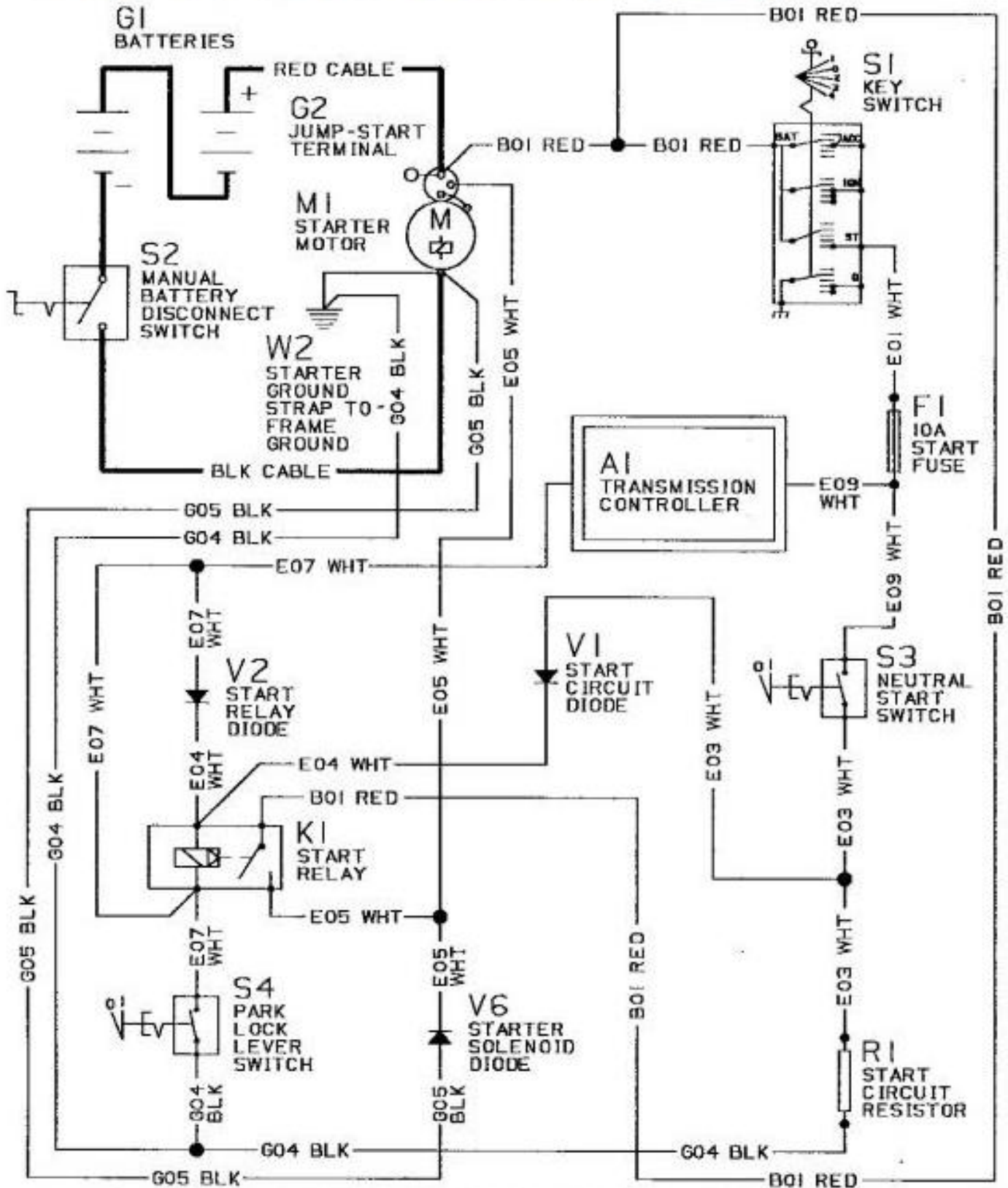
In this manual you will find detailed specifications, illustrations, schematics, diagrams and step-by-step procedures to properly service and diagnose the machine to the manufacturer's standards.

Contents:

- General Information
- Specifications
- Serial Number Location
- Engine Specifications
- Engine Diagnostics
- Engine Tests and Adjustments
- Engine Repair
- Power Train
- Transmission
- Axles
- Differential
- PTO
- Hydraulic System
- Electrical System
- Electrical Tests and Diagnostics
- Wiring Diagram / Schematic
- Ignition and Charging
- Steering
- Brakes
- Wheels
- Operator's Platform
- Body Panels
- Disassembly and Assembly
- Diagnostics, Tests and Adjustments
- Troubleshooting
- and much more...

Please note this manual is in **downloadable PDF format only**. If you have any questions about this product or would like to request sample pages, please contact us and reference the product name or SKU.

Start Circuit Schematic 750C and 850C (S.N. -822867)



T8314AK

START CIRCUIT SCHEMATIC

Start Circuit Schematic 750C



Thank you very much
for your reading.
Please click here
to get more information.