

John Deere 490D and 590D Excavator Diagnostic, Operation and Test Service Manual (tm1389)

C441R Wrapping Baler Diagnostics



JOHN HARE



COLLECTION

DIAGNOSTIC TECHNICAL MANUAL

C441R Wrapping Baler

TM301719 01DEC18 (ENGLISH)

For complete service information also see:

C441R Wrapping Baler Repair TM301819



John Deere Arc-les-Gray

Covers: 490D,590D

Type: Service Manual

Language: English

Pages: 508

Format: PDF

Features: Bookmarked, searchable, printable

Compatibility: Windows/Mac/Tablet/Mobile

This service manual contains important information for the maintenance, troubleshooting and servicing of the **John Deere 490D and 590D Excavator Diagnostic, Operation and Test Service Manual (tm1389)**

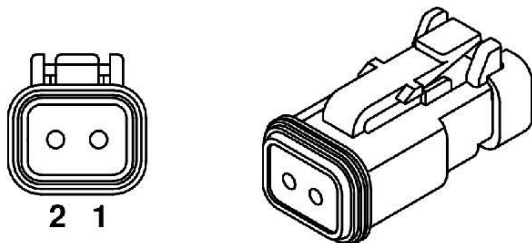
In this manual you will find detailed specifications, illustrations, schematics, diagrams and step-by-step procedures to properly service and diagnose the machine to the manufacturer's standards.

Contents:

- General Information
- Specifications
- Serial Number Location
- Engine Specifications
- Engine Diagnostics
- Engine Tests and Adjustments
- Engine Repair
- Power Train
- Transmission
- Axles
- Differential
- PTO
- Hydraulic System
- Electrical System
- Electrical Tests and Diagnostics
- Wiring Diagram / Schematic
- Ignition and Charging
- Steering
- Brakes
- Wheels
- Operator's Platform
- Body Panels
- Disassembly and Assembly
- Diagnostics, Tests and Adjustments
- Troubleshooting
- and much more...

Please note this manual is in **downloadable PDF format only**. If you have any questions about this product or would like to request sample pages, please contact us and reference the product name or SKU.

XB448F - 2-Terminal Plug for Arm Forward Solenoid



CC1033170

CC1033170-UN: XB448F - 2-Terminal Plug for Arm Forward Solenoid

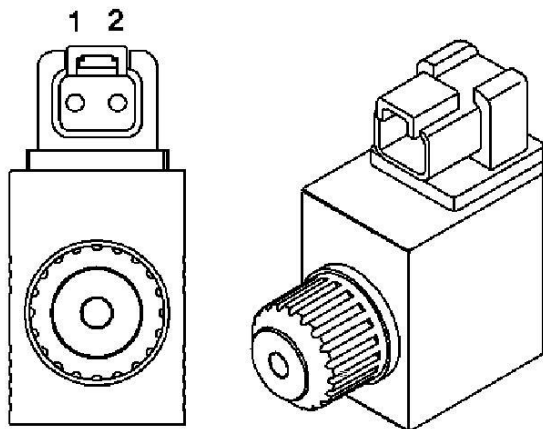
Component information	
Number of pins:	2
Location:	Wrapping Baler Electrical Component Location Part 2 in this section.

Component information	
Spare part number:	57M7534
Manufacturer / repair information:	DEUTSCH For repair information, see DEUTSCH Connectors in Section 40 of the relevant Repair Manual.
Connection point:	XB448M - 2-Terminal Plug for Arm Forward Solenoid in this section.
Wiring harness:	WB6 - Main Wrapping Wiring Harness in this section.
Circuit:	WB6 - Wiring Diagram for Main Wrapping Wiring Harness in section 240B.

Connector layout			
Pin no.	Lead no.	Wire color	Destination
1	310L	black	XB9145
2	215	green	XB1452F - 6

NL33082,0000199-19-20170801

XB448M - 2-Terminal Plug for Arm Forward Solenoid



CC326418

CC326418-UN: XB448M - 2-Terminal Plug for Arm Forward Solenoid

Component information	
Number of pins:	2
Location:	Wrapping Baler Electrical Component Location Part 2 in this section.
Spare part number:	Included in DC220422
Connection point:	XB448F - 2-Terminal Plug for Arm Forward Solenoid in this section.
Wiring harness:	WB6 - Main Wrapping Wiring Harness in this section.
Component:	YB443 - Arm Forward Solenoid in this section.
Circuit:	WB6 - Wiring Diagram for Main Wrapping Wiring Harness in section 240B.

NL33082,000019A-19-20170803



Thank you very much
for your reading.
Please click here
to get more information.