

# John Deere 4920 Self-Propelled Sprayers Diagnostic and Tests Service Manual (TM2125)

344K (SN. from B030077)  
4WD Loader Repair



## REPAIR TECHNICAL MANUAL

iT4 models 344K (PIN: 1LU344K\*\*\*B030077-)

TM12930 09 APR 15 (ENGLISH)

**For complete service information also see:**

344K (SN. from B030077) 4WD Loader Diagnostic

TM12927

JDLINK (MTG) Technical Manual

TM114519

4045 PowerTech Diesel Engines Below 130kW (174hp) (PWX & PVX Interim Tier 4/Stage IIIB) Level 23 ECU

CTM114619

JDLINK/ZXLINK Machine Maintenance

CTM10006



John Deere Construction and Forestry  
Printed by Belgreen



TM12930

**Type:** Service Manual

**Language:** English

**Pages:** 1660

**Format:** PDF

**Features:** Bookmarked, searchable, printable

**Compatibility:** Windows/Mac/Tablet/Mobile

This service manual contains important information for the maintenance, troubleshooting and servicing of the **John Deere 4920 Self-Propelled Sprayers Diagnostic and Tests Service Manual (TM2125)**

In this manual you will find detailed specifications, illustrations, schematics, diagrams and step-by-step procedures to properly service and diagnose the machine to the manufacturer's standards.

**Contents:**

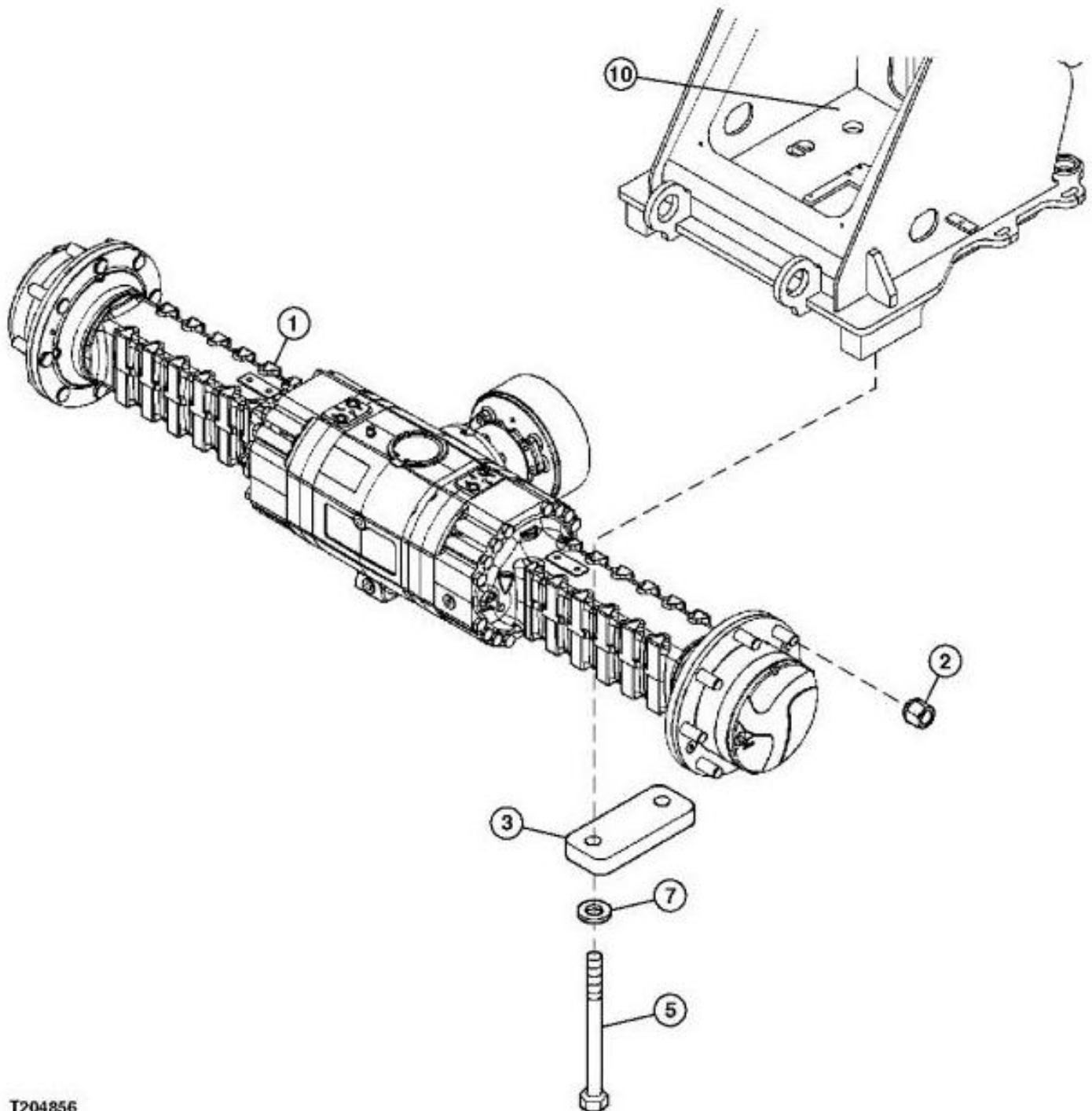
- General Information
- Specifications
- Serial Number Location
- Engine Specifications
- Engine Diagnostics
- Engine Tests and Adjustments
- Engine Repair
- Power Train
- Transmission
- Axles
- Differential
- PTO
- Hydraulic System
- Electrical System
- Electrical Tests and Diagnostics
- Wiring Diagram / Schematic
- Ignition and Charging
- Steering
- Brakes
- Wheels
- Operator's Platform
- Body Panels
- Disassembly and Assembly
- Diagnostics, Tests and Adjustments
- Troubleshooting
- and much more...

Please note this manual is in **downloadable PDF format only**. If you have any questions about this product or would like to request sample pages, please contact us and reference the product name or SKU.

## Group 0200 - Removal and Installation

### Front Axle Remove and Install

[1] -



T204856

**Front Axle Shown**

**LEGEND:**

1 Front Axle



Thank you very much  
for your reading.  
Please click here  
to get more information.