

John Deere 4920 Self-Propelled Sprayers Service Repair Technical Manual (TM2124)

444J 4WD Loader (SN.
611275—) Diagnostic



OPERATION AND TEST MANUAL

4WD Loaders Mmodels 444J (SN. from 611275)

TM10228 22 FEB 16 (ENGLISH)

For complete service information also see:

JDLink (MTG) Technical Manual	TM114519
444J Loader (S.N. 611275-) Repair	TM10243
Alternators and Starting Motors	CTM77
PowerTech E 4.5 and 6.8L Diesel Engines with 16 Electronic Fuel System With Denso HPCR	CTM502
PowerTech 4.5L & 6.8L Diesel Engines with Stanadyne DE10 Fuel System	
Super Caddy Oil Cleanup Product	
PowerTech 4.5 L & 6.8 L Diesel Engines with Denso HPCR	
TeamMate III 1000, 1200, and 1400 Series Planetary Axles	CTM150
120 Series Hydraulic Cylinders	CTM120519
125 Series Hydraulic Cylinders	CTM109319
PowerTech 4.5L & 6.8L Diesel Engines Tier 1/Stage I, Tier 2/Stage II, Tier 3/Stage IIIA, Tier 3/Stage IIA Tier 3/Stage III, (Base Engine)	CTM104
JDLink/ZXLink Machine Monitoring System	CTM10006

PDF



DOWNLOAD



John Deere Construction and Forestry
Printed by Sulgruen



TM10228

Type: Service Manual

Language: English

Pages: 802

Format: PDF

Features: Bookmarked, searchable, printable

Compatibility: Windows/Mac/Tablet/Mobile

This service manual contains important information for the maintenance, troubleshooting and servicing of the **John Deere 4920 Self-Propelled Sprayers Service Repair Technical Manual (TM2124)**

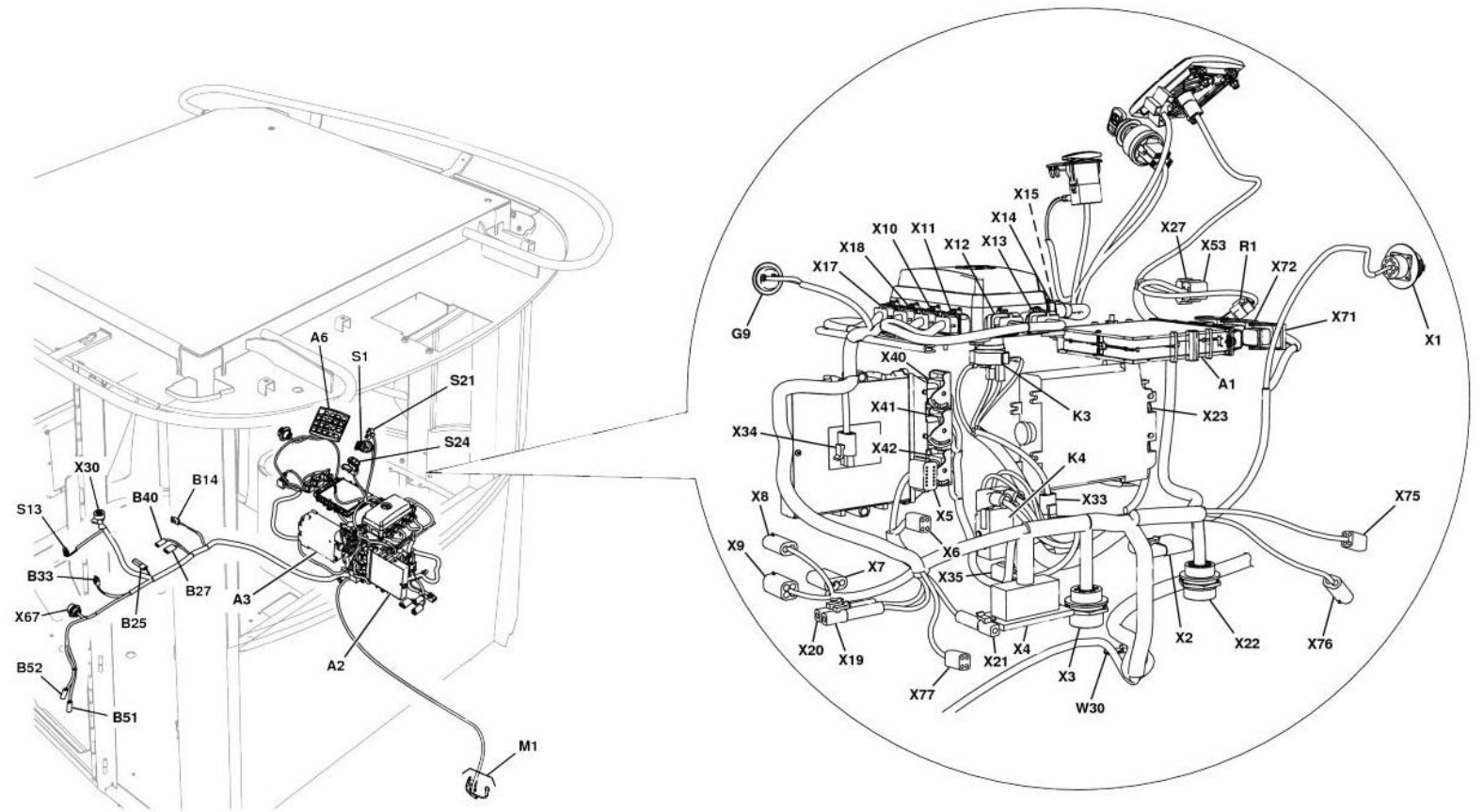
In this manual you will find detailed specifications, illustrations, schematics, diagrams and step-by-step procedures to properly service and diagnose the machine to the manufacturer's standards.

Contents:

- General Information
- Specifications
- Serial Number Location
- Engine Specifications
- Engine Diagnostics
- Engine Tests and Adjustments
- Engine Repair
- Power Train
- Transmission
- Axles
- Differential
- PTO
- Hydraulic System
- Electrical System
- Electrical Tests and Diagnostics
- Wiring Diagram / Schematic
- Ignition and Charging
- Steering
- Brakes
- Wheels
- Operator's Platform
- Body Panels
- Disassembly and Assembly
- Diagnostics, Tests and Adjustments
- Troubleshooting
- and much more...

Please note this manual is in **downloadable PDF format only**. If you have any questions about this product or would like to request sample pages, please contact us and reference the product name or SKU.

Load Center Harness (W3) Component Location



TX1016009

Load Center Harness (W3) Component Location



Thank you very much
for your reading.
Please click here
to get more information.