

# John Deere 4995 Self-Propelled Windrowers Hay and Forage Diagnostic & Tests Service Manual (TM2036)

R4023 Self-Propelled  
Sprayer Diagnostic



DIAGNOSIS AND TESTS MANUAL

PDF



DOWNLOAD



**Type:** Service Manual

**Language:** English

**Pages:** 1116

**Format:** PDF

**Features:** Bookmarked, searchable, printable

**Compatibility:** Windows/Mac/Tablet/Mobile

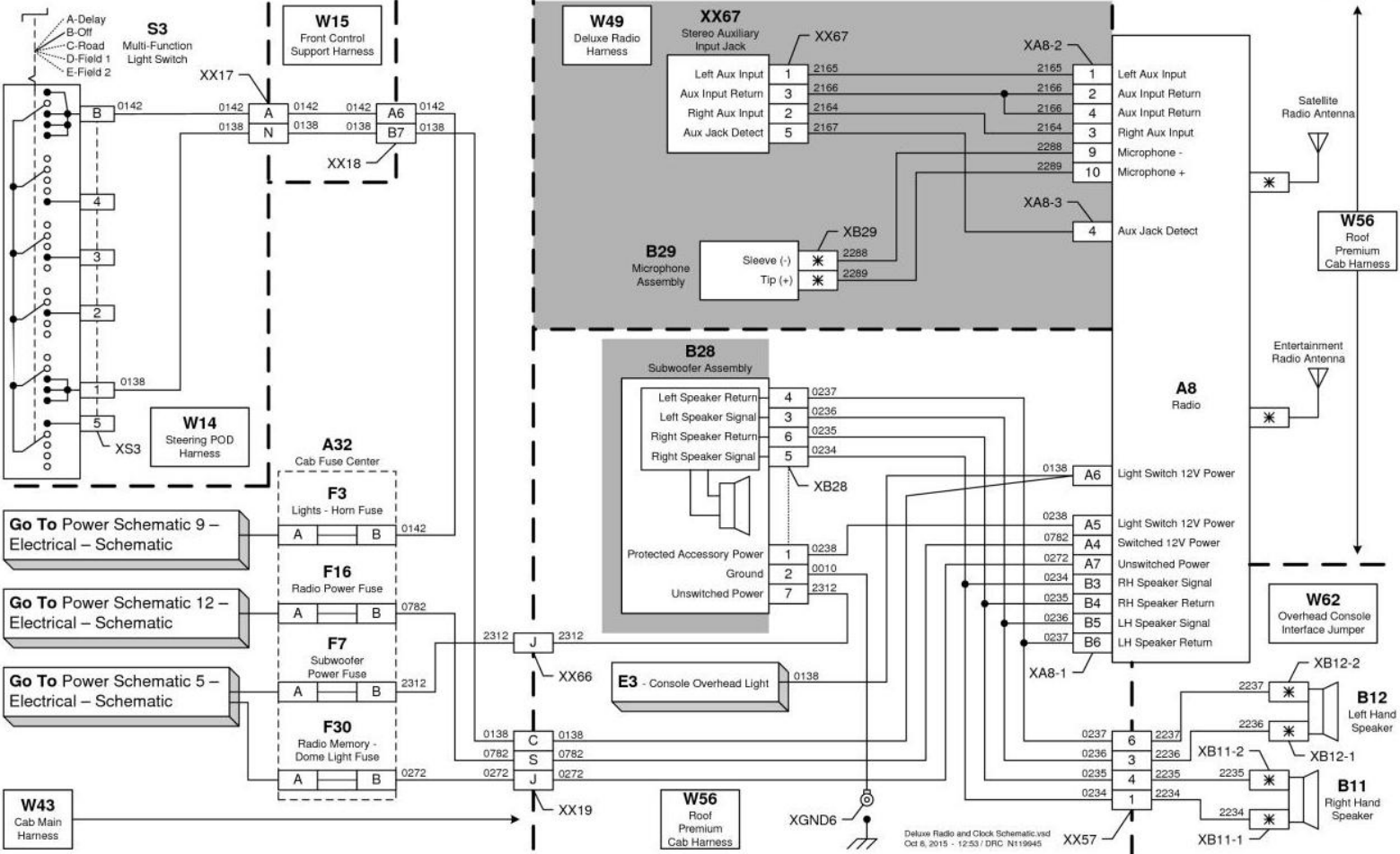
This service manual contains important information for the maintenance, troubleshooting and servicing of the **John Deere 4995 Self-Propelled Windrowers Hay and Forage Diagnostic & Tests Service Manual (TM2036)**

In this manual you will find detailed specifications, illustrations, schematics, diagrams and step-by-step procedures to properly service and diagnose the machine to the manufacturer's standards.

**Contents:**

- General Information
- Specifications
- Serial Number Location
- Engine Specifications
- Engine Diagnostics
- Engine Tests and Adjustments
- Engine Repair
- Power Train
- Transmission
- Axles
- Differential
- PTO
- Hydraulic System
- Electrical System
- Electrical Tests and Diagnostics
- Wiring Diagram / Schematic
- Ignition and Charging
- Steering
- Brakes
- Wheels
- Operator's Platform
- Body Panels
- Disassembly and Assembly
- Diagnostics, Tests and Adjustments
- Troubleshooting
- and much more...

Please note this manual is in **downloadable PDF format only**. If you have any questions about this product or would like to request sample pages, please contact us and reference the product name or SKU.



Radio Electrical Schematic (Premium Cab)

Deluxe Radio and Clock Schematic.vsd  
Oct 8, 2015 - 12:53 / DRC: N119945



Thank you very much  
for your reading.  
Please click here  
to get more information.