

John Deere 4995 Self-Propelled Windrowers Hay and Forage Service Repair Technical Manual (tm2035)

1910 Commodity Air Cart Repair



JOHN HARE



COLLECTION

REPAIR TECHNICAL MANUAL

Ground Drive models 1910

TM2067 30 JUN 15 (ENGLISH)

For complete service information also see:

| | |
|--|----------|
| 1910 Commodity Air Cart (Ground Driven) Diagnostic (SN. before 755100) | TM2068 |
| 1900 Commodity Air Cart | TM1711 |
| 1910 Tow Behind Commodity Air Cart Diagnostic | TM115219 |
| 1910 Tow-Between Commodity Air Cart Diagnostic | TM115119 |
| Machine Connect | CTM441 |
| 120 Series Hydraulics | |

PDF



DOWNLOAD



Type: Service Manual

Language: English

Pages: 778

Format: PDF

Features: Bookmarked, searchable, printable

Compatibility: Windows/Mac/Tablet/Mobile

This service manual contains important information for the maintenance, troubleshooting and servicing of the **John Deere 4995 Self-Propelled Windrowers Hay and Forage Service Repair Technical Manual (tm2035)**

In this manual you will find detailed specifications, illustrations, schematics, diagrams and step-by-step procedures to properly service and diagnose the machine to the manufacturer's standards.

Contents:

- General Information
- Specifications
- Serial Number Location
- Engine Specifications
- Engine Diagnostics
- Engine Tests and Adjustments
- Engine Repair
- Power Train
- Transmission
- Axles
- Differential
- PTO
- Hydraulic System
- Electrical System
- Electrical Tests and Diagnostics
- Wiring Diagram / Schematic
- Ignition and Charging
- Steering
- Brakes
- Wheels
- Operator's Platform
- Body Panels
- Disassembly and Assembly
- Diagnostics, Tests and Adjustments
- Troubleshooting
- and much more...

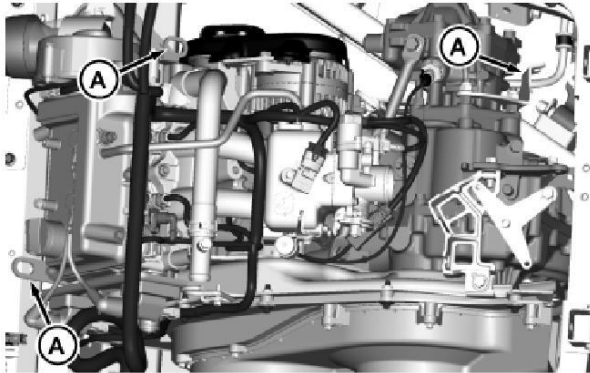
Please note this manual is in **downloadable PDF format only**. If you have any questions about this product or would like to request sample pages, please contact us and reference the product name or SKU.

Install Power Train Assembly



CAUTION:

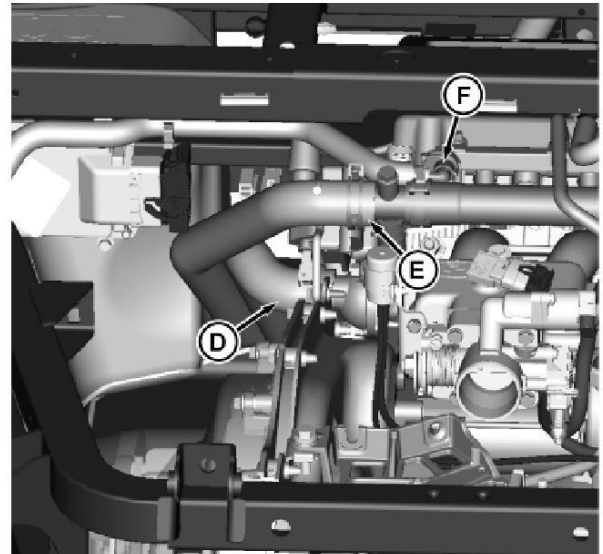
Avoid Injury! Machine component or attachment is heavy. Use a safe lifting device or get an assistant to help lift, install, or remove component or attachment.



MXT017717-UN: Power Train Assembly

LEGEND:
A-Anchor

1. Attach appropriate lifting device to engine and power train assembly at three anchor points (A).



4. MXT017719-UN: Lines

LEGEND:

D-Coolant Line

E-Coolant Line

F-Fuel Line

Connect coolant lines (D and E) to engine.





Thank you very much
for your reading.
Please click here
to get more information.