

John Deere 5036C, 5039C, 5041C, 5042C (India Edition) Tractors Diagnostic, Repair Technical Manual (TM900219)

544K 4WD Loader (SN.
E642665-670307) with
Engine 6068HDW84 (iT4)



OPERATION AND TEST MANUAL

4WD Loaders with Engine 6068HDW84 (iT4) models 544K (PIN:
1DW544KZ**E642665-)

TM12097 22 FEB 16 (ENGLISH)

For complete service information also see:

544K 4WD Loader (PIN: 1DW544KZ_ E642682-) Repair

TM12099

JDLINK (MTG) Technical Manual

TM114519

TM1V1200 - 1400 Series Inboard Planetary Drives

CTM442

120 Series Hydraulic

CTM120519

120 Series Hydraulic

125 Series Hydraulic Cylinder

6068 PowerTech OEM Diesel

23 ECU



DOWNLOAD



John Deere Construction and Forestry
Printed by Belgreen



Covers: 5036C,5041C,5039C,5042C

Type: Service Manual

Language: English

Pages: 1204

Format: PDF

Features: Bookmarked, searchable, printable

Compatibility: Windows/Mac/Tablet/Mobile

This service manual contains important information for the maintenance, troubleshooting and servicing of the **John Deere 5036C, 5039C, 5041C, 5042C (India Edition) Tractors Diagnostic, Repair Technical Manual (TM900219)**

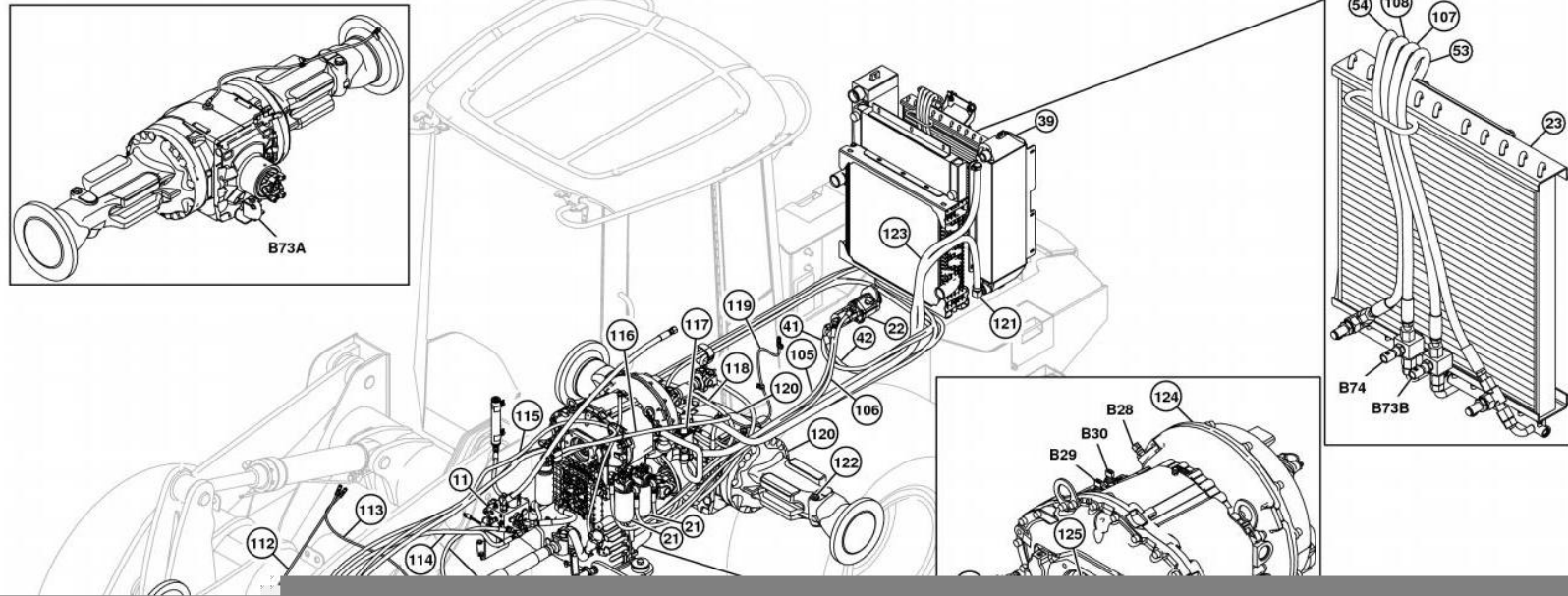
In this manual you will find detailed specifications, illustrations, schematics, diagrams and step-by-step procedures to properly service and diagnose the machine to the manufacturer's standards.

Contents:

- General Information
- Specifications
- Serial Number Location
- Engine Specifications
- Engine Diagnostics
- Engine Tests and Adjustments
- Engine Repair
- Power Train
- Transmission
- Axles
- Differential
- PTO
- Hydraulic System
- Electrical System
- Electrical Tests and Diagnostics
- Wiring Diagram / Schematic
- Ignition and Charging
- Steering
- Brakes
- Wheels
- Operator's Platform
- Body Panels
- Disassembly and Assembly
- Diagnostics, Tests and Adjustments
- Troubleshooting
- and much more...

Please note this manual is in **downloadable PDF format only**. If you have any questions about this product or would like to request sample pages, please contact us and reference the product name or SKU.

Power Train Component Location





Thank you very much
for your reading.
Please click here
to get more information.