

# John Deere 5050E, 5050E, 5058E, 5067E, 5075E Tractors Service Repair Technical Manual (TM902319)

## 75D Excavator Diagnostic

OPERATION AND TEST MANUAL

75D

TM10748 11SEP15 (ENGLISH)

For complete service information also see:

|                                   |          |
|-----------------------------------|----------|
| JDLink (MTG) Technical Manual     | TM114519 |
| 75D Excavator Diagnostic          | TM10749  |
| Super Caddy Oil Cleanup Procedure | CTM310   |



John Deere Construction and Forestry

**Covers:** 045554-);,5050E,5050E,5058E,5067E,5075E

**Type:** Service Manual

**Language:** English

**Pages:** 572

**Format:** PDF

**Features:** Bookmarked, searchable, printable

**Compatibility:** Windows/Mac/Tablet/Mobile

This service manual contains important information for the maintenance, troubleshooting and servicing of the **John Deere 5050E, 5050E, 5058E, 5067E, 5075E Tractors Service Repair Technical Manual (TM902319)**

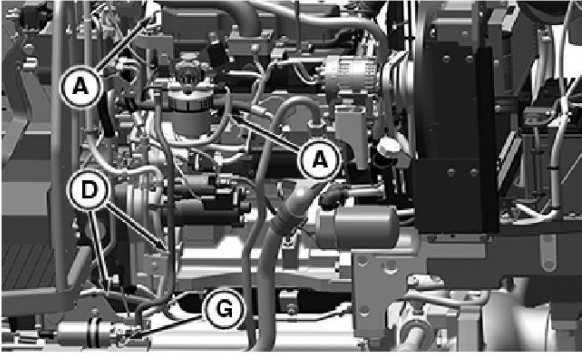
In this manual you will find detailed specifications, illustrations, schematics, diagrams and step-by-step procedures to properly service and diagnose the machine to the manufacturer's standards.

**Contents:**

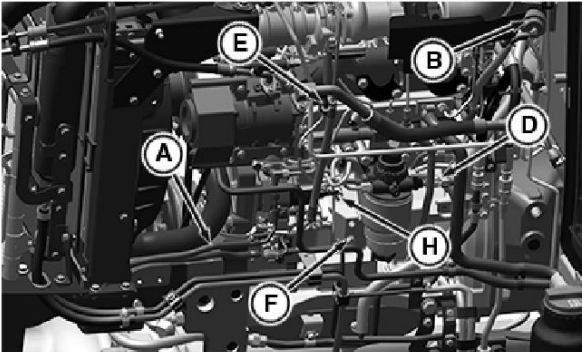
- General Information
- Specifications
- Serial Number Location
- Engine Specifications
- Engine Diagnostics
- Engine Tests and Adjustments
- Engine Repair
- Power Train
- Transmission
- Axles
- Differential
- PTO
- Hydraulic System
- Electrical System
- Electrical Tests and Diagnostics
- Wiring Diagram / Schematic
- Ignition and Charging
- Steering
- Brakes
- Wheels
- Operator's Platform
- Body Panels
- Disassembly and Assembly
- Diagnostics, Tests and Adjustments
- Troubleshooting
- and much more...

Please note this manual is in **downloadable PDF format only**. If you have any questions about this product or would like to request sample pages, please contact us and reference the product name or SKU.

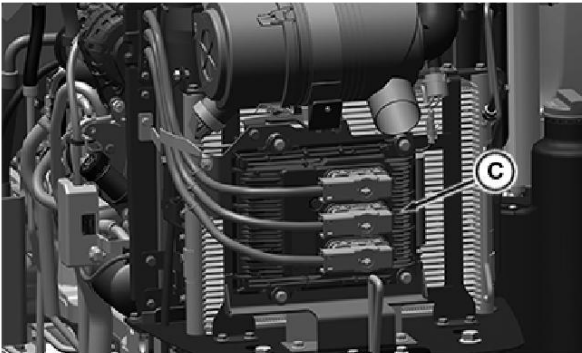
## Clutch Housing



21. PY33114-UN: 5050E IOOS and CAB



PY33115-UN: 5058E, 5067E and 5075E IOOS and CAB



PY33116-UN: 5058E, 5067E and 5075E IOOS and CAB

**LEGEND:**

- A-Fuel Return Line**
- B-Connector**
- C-Engine Control Unit (ECU)**
- D-Fuel Supply Line**
- E-Compressor Connector**
- F-Ground Terminal**
- G-Fuel Pump Harness Connector**
- H-Throttle Harness Connector**

Install fuel return line (A) and fuel supply line (D) using worm gear clamps.

22. **For Cab Tractors:** Connect A/C compressor connector (E) and Ground terminal (F).
23. Connect engine harness to front harness connector (B). Identify, label, and Connect to front engine harness.
24. Identify, label, and connect engine control unit (C).
25. Connect wiring harness fuel pump connector (G) and throttle connector (H).
26. Bleed fuel system. (Refer 'PowerTech™ 2.9L Diesel Engines' CTM.)
27. Install dash panels.
28. Install exhaust. (See [Service Exhaust System, Stage III](#) [A Service Exhaust System, Stage III Bin Section 30, Group 15.](#))
29. Install tool box and side grille panels.
30. Connect battery negative (—) cable to battery.
31. Install hood. (See [Remove and Install Hood](#) in Section 80, Group 25.)
32. Perform engine performance testing using relevant diagnostic technical manual.

NM61126,000035E-19-20170213



Thank you very much  
for your reading.  
Please click here  
to get more information.