

John Deere 5083E and 5093E Tractors Diagnostic Technical Service Manual (TM609619)

**5083E and 5093E
Tractors Diagnostic
Technical Manual**



JOHN HARE



COLLECTION

**DIAGNOSTIC TECHNICAL MANUAL
5083E and 5093E Tractors**

TM609619 01DEC18 (ENGLISH)



John Deere Mexico

Covers: 5083E,5093E

Type: Service Manual

Language: English

Pages: 671

Format: PDF

Features: Bookmarked, searchable, printable

Compatibility: Windows/Mac/Tablet/Mobile

This service manual contains important information for the maintenance, troubleshooting and servicing of the **John Deere 5083E and 5093E Tractors Diagnostic Technical Service Manual (TM609619)**

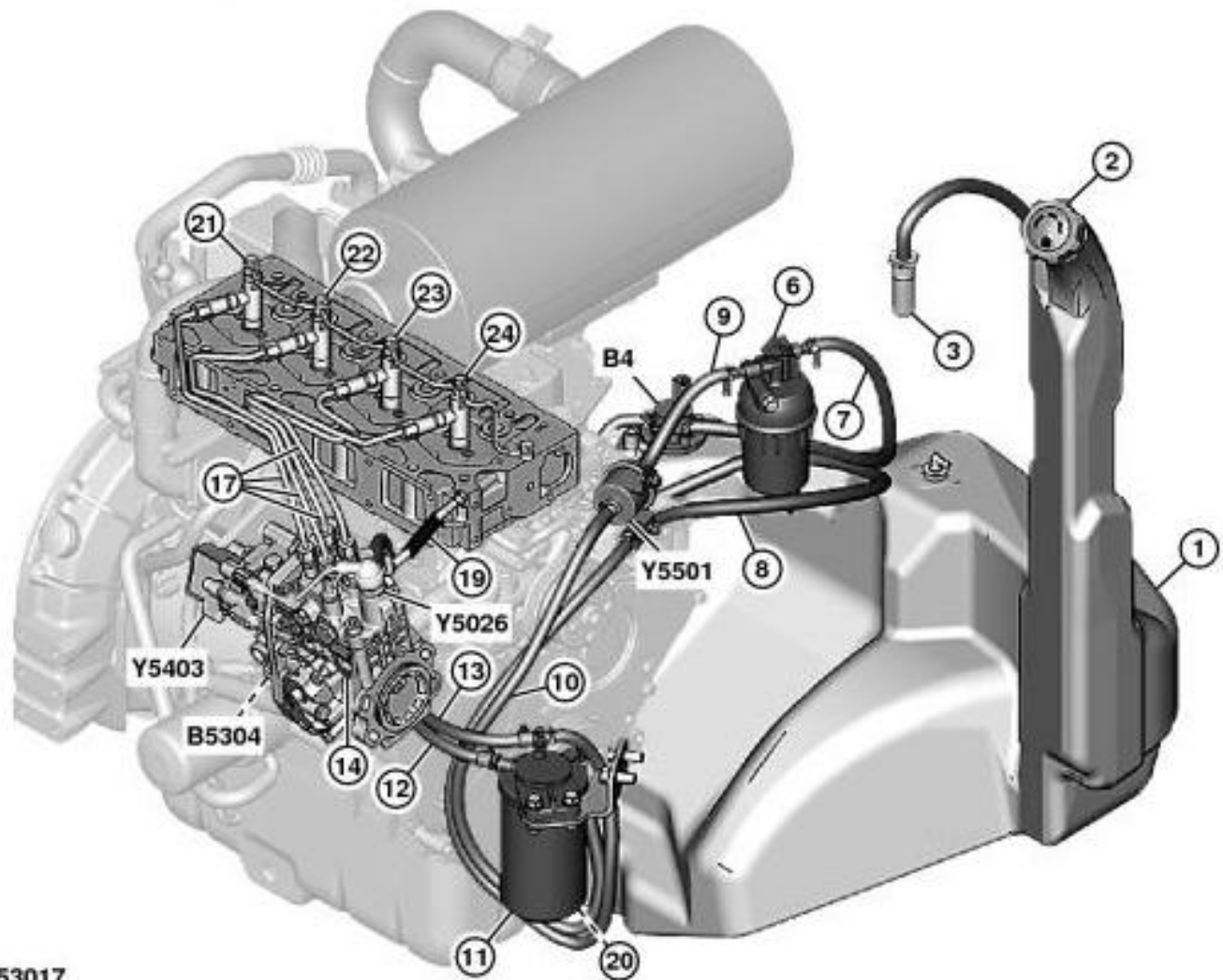
In this manual you will find detailed specifications, illustrations, schematics, diagrams and step-by-step procedures to properly service and diagnose the machine to the manufacturer's standards.

Contents:

- General Information
- Specifications
- Serial Number Location
- Engine Specifications
- Engine Diagnostics
- Engine Tests and Adjustments
- Engine Repair
- Power Train
- Transmission
- Axles
- Differential
- PTO
- Hydraulic System
- Electrical System
- Electrical Tests and Diagnostics
- Wiring Diagram / Schematic
- Ignition and Charging
- Steering
- Brakes
- Wheels
- Operator's Platform
- Body Panels
- Disassembly and Assembly
- Diagnostics, Tests and Adjustments
- Troubleshooting
- and much more...

Please note this manual is in **downloadable PDF format only**. If you have any questions about this product or would like to request sample pages, please contact us and reference the product name or SKU.

Engine Fuel System Component Location



TX1153017

Engine Fuel System Component Location

LEGEND:

1	Fuel Tank
2	Fuel Tank Cap
3	Breather Filter
6	Primary Fuel Filter and Water Separator
7	Fuel Tank-to-Primary Fuel Filter and Water Separator Hose
8	Final Fuel Filter-to-Fuel Tank Return Hose
9	Primary Fuel Filter-to-Low-Pressure Fuel Pump Hose
10	Low-Pressure Fuel Pump-to-Final Fuel Filter Hose
11	Final Fuel Filter
12	Final Fuel Filter-to-High-Pressure Fuel Pump Supply Hose
13	High-Pressure Fuel Pump-to-Final Fuel Filter Return Hose
14	High-Pressure Fuel Pump
17	High-Pressure Fuel Supply Line (4 used)
19	High-Pressure Fuel Injector Return Line
20	Fuel Tank Drain Plug
21	Fuel Injector 1
22	Fuel Injector 2
23	Fuel Injector 3
24	Fuel Injector 4
B4	Fuel Level Sensor
B5304	Engine Speed Sensor
Y5026	Cold Start Device (CSD)
Y5403	Fuel Injection Pump Rack Actuator
Y5501	Low-Pressure Fuel Pump



Thank you very much
for your reading.
Please click here
to get more information.