

John Deere 50ZTS Compact Excavator Service Repair Technical Manual (TM1818)

50ZTS Excavator Repair

REPAIR TECHNICAL MANUAL

Compact models 50ZTS

TM1818 09OCT12 (ENGLISH)

For complete service information also see:

50ZTS Excavator Diagnostic	TM1817
120 Series Hydraulic Cylinders	CTM114319
JDG10274 Ultrasonic Undercarriage Measurement Gauge	CTM10001



John Deere Construction and Forestry

Type: Service Manual

Language: English

Pages: 635

Format: PDF

Features: Bookmarked, searchable, printable

Compatibility: Windows/Mac/Tablet/Mobile

This service manual contains important information for the maintenance, troubleshooting and servicing of the **John Deere 50ZTS Compact Excavator Service Repair Technical Manual (TM1818)**

In this manual you will find detailed specifications, illustrations, schematics, diagrams and step-by-step procedures to properly service and diagnose the machine to the manufacturer's standards.

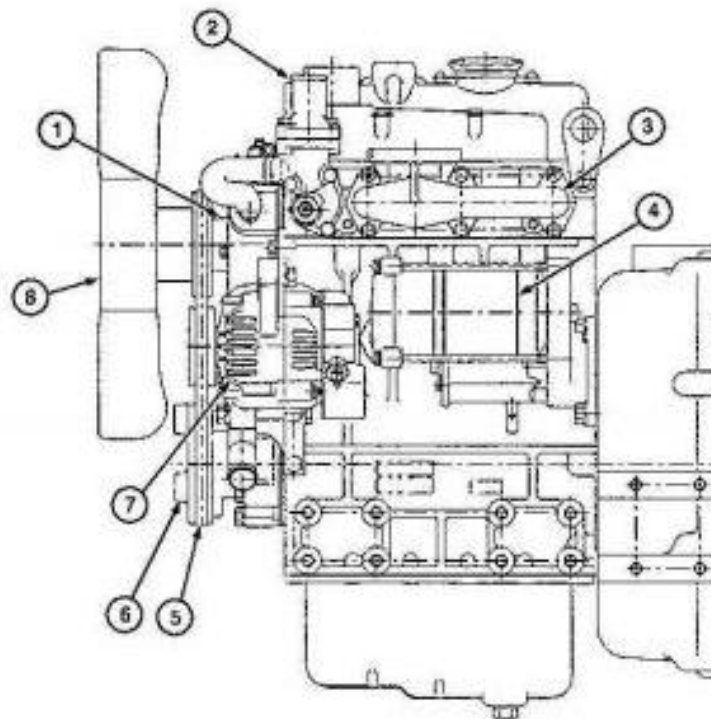
Contents:

- General Information
- Specifications
- Serial Number Location
- Engine Specifications
- Engine Diagnostics
- Engine Tests and Adjustments
- Engine Repair
- Power Train
- Transmission
- Axles
- Differential
- PTO
- Hydraulic System
- Electrical System
- Electrical Tests and Diagnostics
- Wiring Diagram / Schematic
- Ignition and Charging
- Steering
- Brakes
- Wheels
- Operator's Platform
- Body Panels
- Disassembly and Assembly
- Diagnostics, Tests and Adjustments
- Troubleshooting
- and much more...

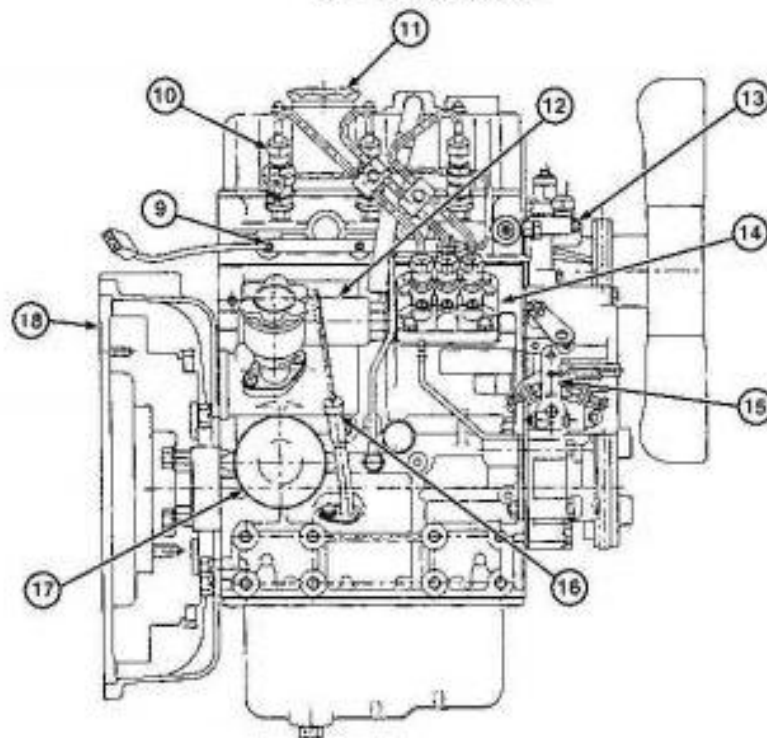
Please note this manual is in **downloadable PDF format only**. If you have any questions about this product or would like to request sample pages, please contact us and reference the product name or SKU.

Group 05 - Theory of Operation

Engine-Sectional View



LEFT-HAND SIDE



RIGHT-HAND SIDE

T135681

Engine-Sectional View

LEGEND:

1 Fan Pulley



Thank you very much
for your reading.
Please click here
to get more information.