

John Deere 524K 4WD Loader (SN.642246-670307) w.Engine 6068HDW74 Diagnostic Service Manual (TM12094)

W230 Combine Diagnostic and Repair

TECHNICAL MANUAL

W230 4LZ-7, W230 4LZ-8 (S.N.015000-)

TM702819 01DEC15 (ENGLISH)

For complete service information also see:

Alternators and Starting Motors	CTM77
PowerTech E 4.5 and 6.8L Diesel Engines Level 16 Electronic Fuel System With Denso HPCR	CTM502
PowerTech 4.5L & 6.8L Diesel Engines Tier 1/Stage I, Tier 2/Stage II, Tier 3/Stage IIIA, Tier 3/Stage IIA Tier 3/Stage III, (Base Engine)	CTM104



John Deere Agriculture

Covers: 524K,1DW524KZ**D642246-670307)

Type: Service Manual

Language: English

Pages: 1445

Format: PDF

Features: Bookmarked, searchable, printable

Compatibility: Windows/Mac/Tablet/Mobile

This service manual contains important information for the maintenance, troubleshooting and servicing of the **John Deere 524K 4WD Loader (SN.642246-670307) w.Engine 6068HDW74 Diagnostic Service Manual (TM12094)**

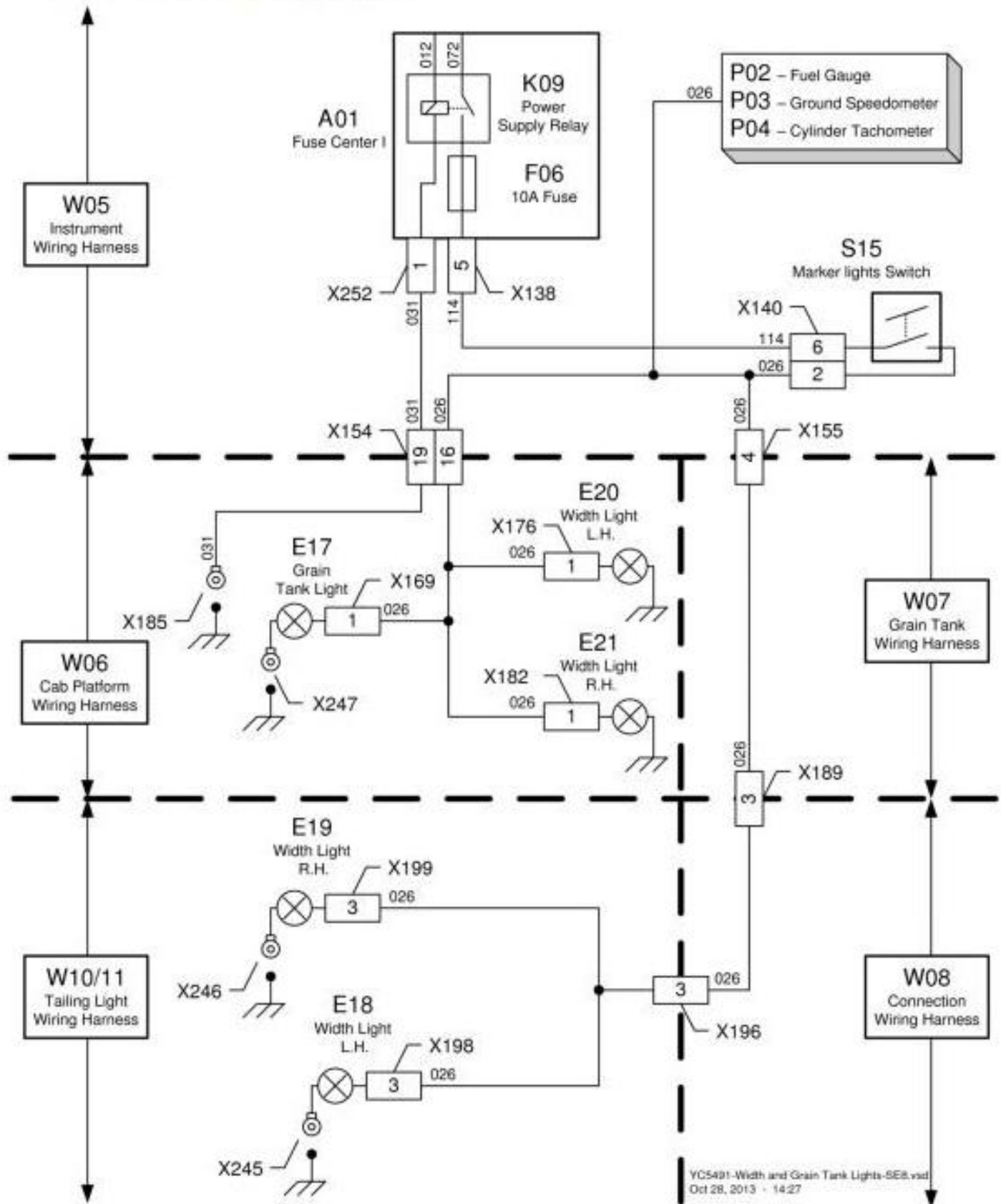
In this manual you will find detailed specifications, illustrations, schematics, diagrams and step-by-step procedures to properly service and diagnose the machine to the manufacturer's standards.

Contents:

- General Information
- Specifications
- Serial Number Location
- Engine Specifications
- Engine Diagnostics
- Engine Tests and Adjustments
- Engine Repair
- Power Train
- Transmission
- Axles
- Differential
- PTO
- Hydraulic System
- Electrical System
- Electrical Tests and Diagnostics
- Wiring Diagram / Schematic
- Ignition and Charging
- Steering
- Brakes
- Wheels
- Operator's Platform
- Body Panels
- Disassembly and Assembly
- Diagnostics, Tests and Adjustments
- Troubleshooting
- and much more...

Please note this manual is in **downloadable PDF format only**. If you have any questions about this product or would like to request sample pages, please contact us and reference the product name or SKU.

Width and Grain Tank Lights



YC5491-Width and Grain Tank Lights-SE8.vsd
Oct 28, 2013 - 14:27

Width and Grain Tank Lights

LEGEND:

- A01 Fuse Center One
- E17 Grain Tank Light
- E18 Left-Hand Side Rear Width Light



Thank you very much
for your reading.
Please click here
to get more information.