

John Deere 524K 4WD Loader (SN.642246-670307) w.Engine 6068HDW74 (T3) Service Repair Manual (TM12096)

**5310N, 5410N and
5510N Tractors**

TECHNICAL MANUAL

5310N, 5410N, 5510N

TM4772 29MAY02 (ENGLISH)

For complete service information also see:

Alternators and Starting Motors	CTM77
PowerTech 4.5L and 6.8L Diesel Engines Mechanical Fuel Systems	CTM207
PowerTech 2.9L Diesel Engines	CTM125
PowerTech 4.5L & 6.8L Diesel Engines Tier 1/Stage I, Tier 2/Stage II, Tier 3/Stage IIIA, Tier 3/Stage IIA Tier 3/Stage III, (Base Engine)	CTM104

PDF



DOWNLOAD



John Deere Agriculture

Covers: 524K,1DW524KZ**D642246-670307)

Type: Service Manual

Language: English

Pages: 490

Format: PDF

Features: Bookmarked, searchable, printable

Compatibility: Windows/Mac/Tablet/Mobile

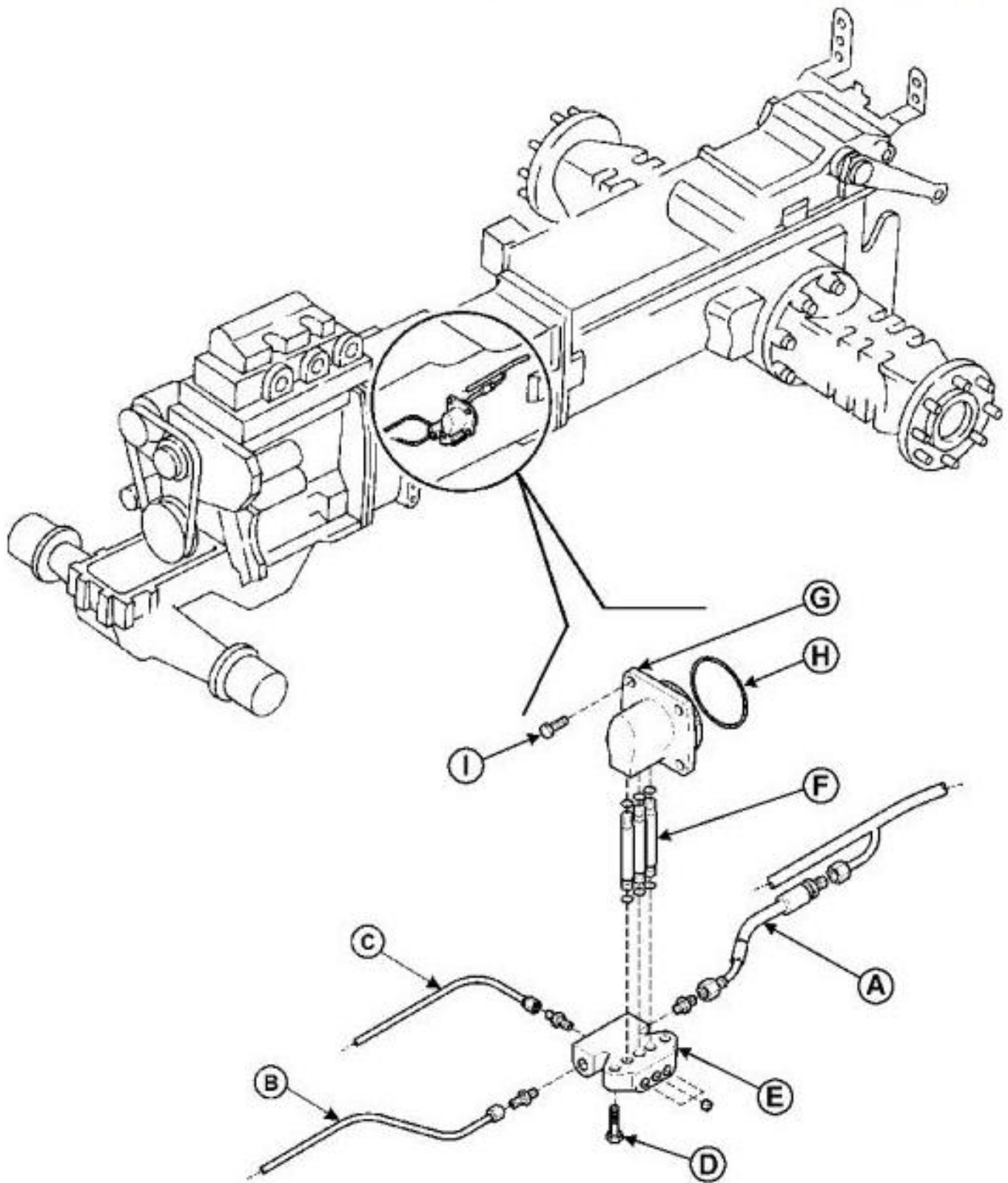
This service manual contains important information for the maintenance, troubleshooting and servicing of the **John Deere 524K 4WD Loader (SN.642246-670307) w.Engine 6068HDW74 (T3) Service Repair Manual (TM12096)**

In this manual you will find detailed specifications, illustrations, schematics, diagrams and step-by-step procedures to properly service and diagnose the machine to the manufacturer's standards.

Contents:

- General Information
- Specifications
- Serial Number Location
- Engine Specifications
- Engine Diagnostics
- Engine Tests and Adjustments
- Engine Repair
- Power Train
- Transmission
- Axles
- Differential
- PTO
- Hydraulic System
- Electrical System
- Electrical Tests and Diagnostics
- Wiring Diagram / Schematic
- Ignition and Charging
- Steering
- Brakes
- Wheels
- Operator's Platform
- Body Panels
- Disassembly and Assembly
- Diagnostics, Tests and Adjustments
- Troubleshooting
- and much more...

Please note this manual is in **downloadable PDF format only**. If you have any questions about this product or would like to request sample pages, please contact us and reference the product name or SKU.



AT3658

Hydraulic Hi-Lo lines**LEGEND:**

A	Lubrication line
B	Clutch (Hi) supply line
C	Clutch (Lo) supply line
D	Bolt (2 used)
E	Flange
F	Pipe (3 used)



Thank you very much
for your reading.
Please click here
to get more information.