

John Deere 524K 4WD Loader (SN.642246-670307) w.Engine 6068HDW84 Diagnostic Service Manual (TM12093)

524K 4WD Loader (S.N.
642246-670307) with
Engine 6068HDW84 (iT4)



OPERATION AND TEST MANUAL

4WD Loaders with Engines 6068HDW84 (iT4) models 524K (PIN:
1DW524K***E642246-670307)

TM12093 22 FEB 16 (ENGLISH)

For complete service information also see:

524K 4WD Loader Repair

TM12095

JDLINK (MTG) Technical Manual

TM114519

TM1V1200 - 1400 Series Inboard Planer

CTM442

120 Series Hydraulic

CTM120519

120 Series Hydraulic

125 Series Hydraulic Cylinder

6068 PowerTech OEM Diesel

23 ECU



DOWNLOAD



John Deere Construction and Forestry
Printed by Belgreen



TM12093

Covers: 524K,1DW524K***E642246-670307)

Type: Service Manual

Language: English

Pages: 1464

Format: PDF

Features: Bookmarked, searchable, printable

Compatibility: Windows/Mac/Tablet/Mobile

This service manual contains important information for the maintenance, troubleshooting and servicing of the **John Deere 524K 4WD Loader (SN.642246-670307) w.Engine 6068HDW84 Diagnostic Service Manual (TM12093)**

In this manual you will find detailed specifications, illustrations, schematics, diagrams and step-by-step procedures to properly service and diagnose the machine to the manufacturer's standards.

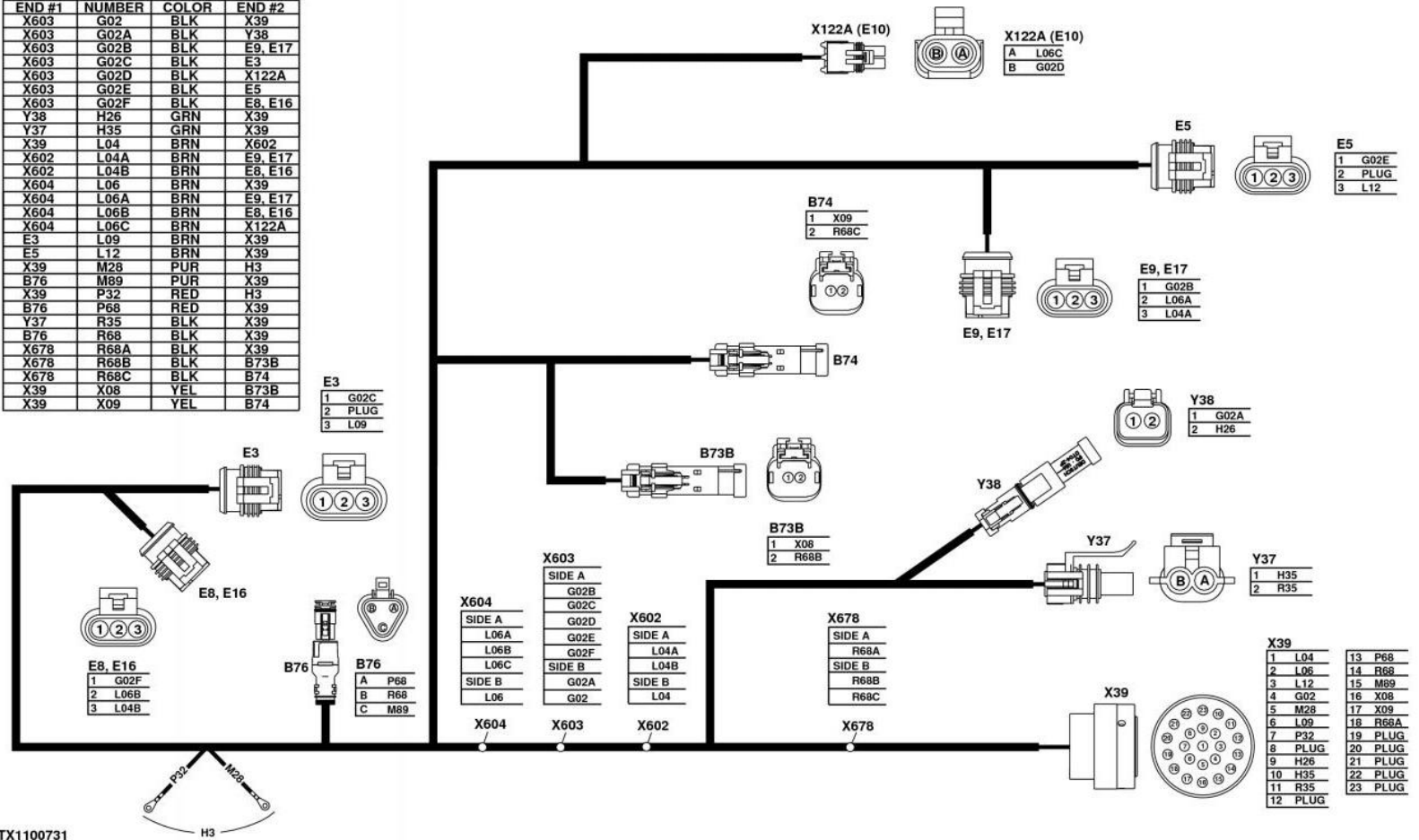
Contents:

- General Information
- Specifications
- Serial Number Location
- Engine Specifications
- Engine Diagnostics
- Engine Tests and Adjustments
- Engine Repair
- Power Train
- Transmission
- Axles
- Differential
- PTO
- Hydraulic System
- Electrical System
- Electrical Tests and Diagnostics
- Wiring Diagram / Schematic
- Ignition and Charging
- Steering
- Brakes
- Wheels
- Operator's Platform
- Body Panels
- Disassembly and Assembly
- Diagnostics, Tests and Adjustments
- Troubleshooting
- and much more...

Please note this manual is in **downloadable PDF format only**. If you have any questions about this product or would like to request sample pages, please contact us and reference the product name or SKU.

Rear Frame Harness (W13) Wiring Diagram

END #1	NUMBER	COLOR	END #2
X603	G02	BLK	X39
X603	G02A	BLK	Y38
X603	G02B	BLK	E9, E17
X603	G02C	BLK	E3
X603	G02D	BLK	X122A
X603	G02E	BLK	E5
X603	G02F	BLK	E8, E16
Y38	H26	GRN	X39
Y37	H35	GRN	X39
X39	L04	BRN	X602
X602	L04A	BRN	E9, E17
X602	L04B	BRN	E8, E16
X604	L06	BRN	X39
X604	L06A	BRN	E9, E17
X604	L06B	BRN	E8, E16
X604	L06C	BRN	X122A
E3	L09	BRN	X39
E5	L12	BRN	X39
X39	M28	PUR	H3
B76	M89	PUR	X39
X39	P32	RED	H3
B76	P68	RED	X39
Y37	R35	BLK	X39
B76	R68	BLK	X39
X678	R68A	BLK	X39
X678	R68B	BLK	B73B
X678	R68C	BLK	B74
X39	X08	YEL	B73B
X39	X09	YEL	B74



TX1100731
Rear Frame Harness (W13) Wiring Diagram



Thank you very much
for your reading.
Please click here
to get more information.