

# John Deere 524K 4WD Loader (SN.before 642245) w.Engine 6068HDW74 (T3) Service Repair Manual (TM10687)

**85D Excavator  
Repair**




**REPAIR TECHNICAL MANUAL**

**Compact models 85D**

**TM10755 26FEB15 (ENGLISH)**

For complete service information also see:

JDLink (MTG) Technical Manual	TM114519
85D Excavator Diagnostic	TM10754
Super Caddy Oil Cleanup Procedure	CTM310

  **DOWNLOAD** 

John Deere Construction and Forestry

**Covers:** 524K,642245)

**Type:** Service Manual

**Language:** English

**Pages:** 421

**Format:** PDF

**Features:** Bookmarked, searchable, printable

**Compatibility:** Windows/Mac/Tablet/Mobile

This service manual contains important information for the maintenance, troubleshooting and servicing of the **John Deere 524K 4WD Loader (SN.before 642245) w.Engine 6068HDW74 (T3) Service Repair Manual (TM10687)**

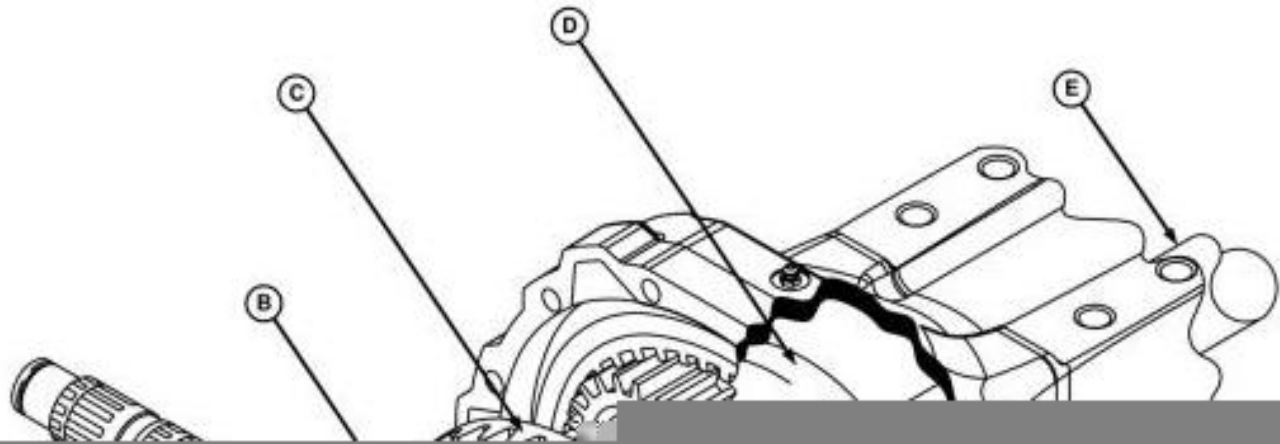
In this manual you will find detailed specifications, illustrations, schematics, diagrams and step-by-step procedures to properly service and diagnose the machine to the manufacturer's standards.

**Contents:**

- General Information
- Specifications
- Serial Number Location
- Engine Specifications
- Engine Diagnostics
- Engine Tests and Adjustments
- Engine Repair
- Power Train
- Transmission
- Axles
- Differential
- PTO
- Hydraulic System
- Electrical System
- Electrical Tests and Diagnostics
- Wiring Diagram / Schematic
- Ignition and Charging
- Steering
- Brakes
- Wheels
- Operator's Platform
- Body Panels
- Disassembly and Assembly
- Diagnostics, Tests and Adjustments
- Troubleshooting
- and much more...

Please note this manual is in **downloadable PDF format only**. If you have any questions about this product or would like to request sample pages, please contact us and reference the product name or SKU.

# Differential Power Flow





Thank you very much  
for your reading.  
Please click here  
to get more information.