

# John Deere 5303 And 5403 India Tractors Diagnostic and Repair Technical Manual (tm8208)

960 and 990 Round Baler  
Repair (Worldwide Edition)



**REPAIR TECHNICAL MANUAL**  
**Round Balers models 960, 990**  
TM300419 08 AUG 13 (ENGLISH)

**For complete service information also see:**  
960 and 990 Round Balers Diagnostics

TM300519



John Deere Agriculture  
Printed by Belgreen



**Covers:** 5403,5303

**Type:** Service Manual

**Language:** English

**Pages:** 858

**Format:** PDF

**Features:** Bookmarked, searchable, printable

**Compatibility:** Windows/Mac/Tablet/Mobile

This service manual contains important information for the maintenance, troubleshooting and servicing of the **John Deere 5303 And 5403 India Tractors Diagnostic and Repair Technical Manual (tm8208)**

In this manual you will find detailed specifications, illustrations, schematics, diagrams and step-by-step procedures to properly service and diagnose the machine to the manufacturer's standards.

**Contents:**

- General Information
- Specifications
- Serial Number Location
- Engine Specifications
- Engine Diagnostics
- Engine Tests and Adjustments
- Engine Repair
- Power Train
- Transmission
- Axles
- Differential
- PTO
- Hydraulic System
- Electrical System
- Electrical Tests and Diagnostics
- Wiring Diagram / Schematic
- Ignition and Charging
- Steering
- Brakes
- Wheels
- Operator's Platform
- Body Panels
- Disassembly and Assembly
- Diagnostics, Tests and Adjustments
- Troubleshooting
- and much more...

Please note this manual is in **downloadable PDF format only**. If you have any questions about this product or would like to request sample pages, please contact us and reference the product name or SKU.

## Track Chain Repair to Replace Broken Part

### NOTE:

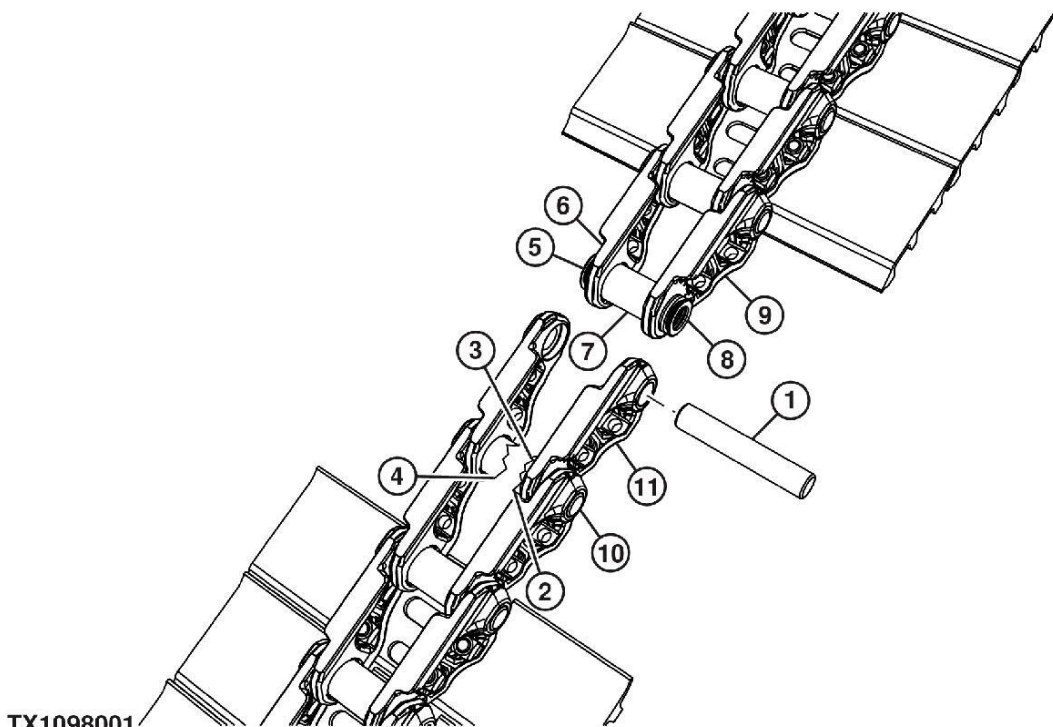
This procedure is to address a broken track pin or broken track link.

### **Broken Track Pin Replacement**

1. Remove three track shoes surrounding damaged area. [See Track Shoe Remove and Install](#). (Group 0130.)

2. NOTE:

All track pins, bushings, and links will be discarded and replaced with new parts.



TX1098001

TX1098001-UN: Track Pin

#### LEGEND:

1-Broken Track Pin  
2-Bushing  
3-Cut Point  
4-Cut Point  
5-Grind Point  
6-Track Link

7-Bushing  
8-Grind Point  
9-Track Link  
10-Track Pin  
11-Track Link Assembly

Remove broken track pin (1).

### IMPORTANT:

3. **Avoid damage to good parts. Use care when operating cutting torch.**

Cut bushing (2) and pin at cut points (3 and 4).



Thank you very much  
for your reading.  
Please click here  
to get more information.