

# John Deere 540G-3, 548G-3, 640G-3, 648G-3, 748G-3 (SN.◆◆◆◆◆◆◆◆586336) Diagnostic Service Manual (TM1870)

## 1470, 1570 Combine Diagnostic (South American Edition)

### DIAGNOSIS AND TESTS MANUAL

Combines models 1470, 1570

TM801119 05 NOV 13 (ENGLISH)

For complete service information also see:

Combines 1470, 1570 Repair (South America, Europe and CIS)	TM801319
Alternators and Starting Motors	CTM77
PowerTech 4.5L & 6.8L Diesel Engines with Level 12 Electronic Fuel System With Stanadyne DE10 Pump	CTM339
PowerTech 4.5 L & 6.8 L OEM Diesel Engines Level 4 Electronic Fuel System With Bosch VP44	CTM219
PowerTech 8.1 L Diesel Engine	
PowerTech 6.8L and 8.1L Diesel Engines (Level 3 Electronic Fuel Systems with Bosch In-Line	
PowerTech 4.5L & 6.8L Diesel Engines Tier 1/Stage I, Tier 2/Stage II, Tier 3/Stage IIIA, Tier 3/Stage IIA Tier 3/Stage III, (Base Engine)	CTM104

PDF



DOWNLOAD



John Deere Agriculture

Covers: (SN.◆◆◆◆◆◆◆◆586336),540G-III,548G-III,640G-III,648G-III

**Type:** Service Manual

**Language:** English

**Pages:** 816

**Format:** PDF

**Features:** Bookmarked, searchable, printable

**Compatibility:** Windows/Mac/Tablet/Mobile

This service manual contains important information for the maintenance, troubleshooting and servicing of the **John Deere 540G-3, 548G-3, 640G-3, 648G-3, 748G-3 (SN.◆◆◆◆◆◆◆◆◆◆586336) Diagnostic Service Manual (TM1870)**

In this manual you will find detailed specifications, illustrations, schematics, diagrams and step-by-step procedures to properly service and diagnose the machine to the manufacturer's standards.

**Contents:**

- General Information
- Specifications
- Serial Number Location
- Engine Specifications
- Engine Diagnostics
- Engine Tests and Adjustments
- Engine Repair
- Power Train
- Transmission
- Axles
- Differential
- PTO
- Hydraulic System
- Electrical System
- Electrical Tests and Diagnostics
- Wiring Diagram / Schematic
- Ignition and Charging
- Steering
- Brakes
- Wheels
- Operator's Platform
- Body Panels
- Disassembly and Assembly
- Diagnostics, Tests and Adjustments
- Troubleshooting
- and much more...

Please note this manual is in **downloadable PDF format only**. If you have any questions about this product or would like to request sample pages, please contact us and reference the product name or SKU.

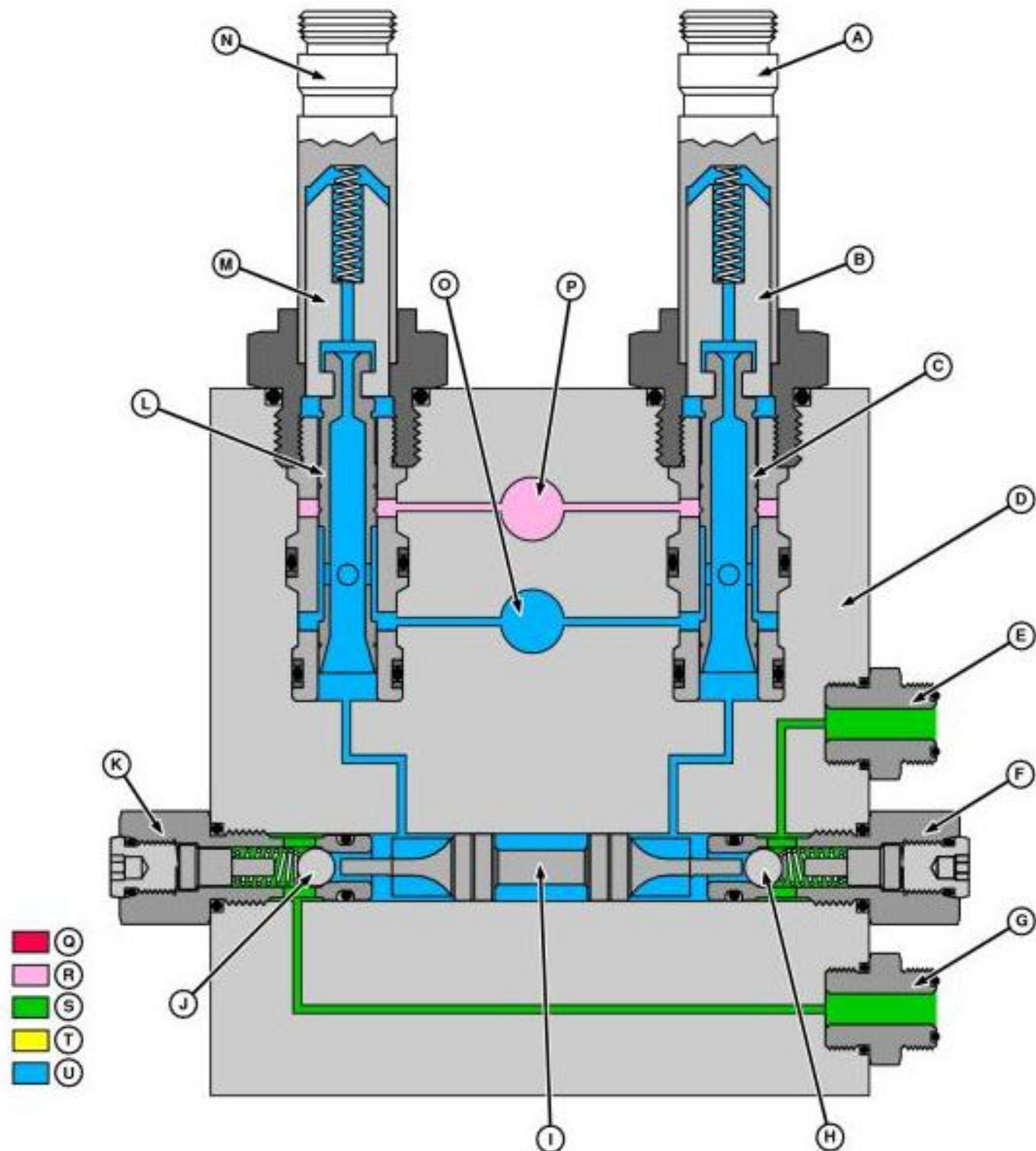
## Reel Forward/Reverse Valve

### Reel forward/reverse valve operation

Reel forward/reverse is controlled by two-way and three-way solenoid valves cartridges in the hydraulic valves. Check valves operated by pilot are used to avoid reel from moving forward and backwards during operation.

It is necessary pressure oil both to extend and retract reel forward/Secondary cylinders.

Reel forward/reverse solenoid valves cartridges, unloading auger opening and closing and header tilt are identical, and can be replaced for diagnosis purposes.



### Reel Forward/Reverse (Neutral)



Thank you very much  
for your reading.  
Please click here  
to get more information.