

# John Deere 544K-II (SN. D001001-) 4WD Loader Operation & Test Technical Service Manual (TM14198X19)

**544K-II 4WD Loader  
Operation and Test**  
(PIN: 1BZ544KA\_\_D001001—)



JOHN HARE



COLLECTION

## OPERATION & TEST TECHNICAL MANUAL 544K-II 4WD Loader (PIN: 1BZ544KA\_\_D001001—)

TM14198X19 01DEC18 (ENGLISH)

For complete service information also see:

PowerTech E 4.5 and 6.8L Diesel Engines Level 16  
Electronic Fuel System With Denso HPCR..... ctm502  
544K-II 4WD Loader Repair..... TM14201X19  
PowerTech 4.5L & 6.8L Diesel Engines Tier 1/Stage I, Tier  
2/Stage II, Tier 3/Stage IIIA, Tier 3/Stage IIA Tier 3/Stage III  
(Base Engine)..... tm104  
PowerTech 4045, 6088 D  
Fuel System with the Den  
(HPCR) Level 14 ECU.....  
JDLink™ 2G / 3G MTG Technical Man  
TeamMate™ IV 1200 Series Inboard P



Worldwide Construction and  
Forestry Division

Covers: 544K-II, 1BZ544KA\_\_, D001001 (7 icons)

**Type:** Service Manual

**Language:** English

**Pages:** 949

**Format:** PDF

**Features:** Bookmarked, searchable, printable

**Compatibility:** Windows/Mac/Tablet/Mobile

This service manual contains important information for the maintenance, troubleshooting and servicing of the **John Deere 544K-II (SN. D001001-) 4WD Loader Operation & Test Technical Service Manual (TM14198X19)**

In this manual you will find detailed specifications, illustrations, schematics, diagrams and step-by-step procedures to properly service and diagnose the machine to the manufacturer's standards.

**Contents:**

- General Information
- Specifications
- Serial Number Location
- Engine Specifications
- Engine Diagnostics
- Engine Tests and Adjustments
- Engine Repair
- Power Train
- Transmission
- Axles
- Differential
- PTO
- Hydraulic System
- Electrical System
- Electrical Tests and Diagnostics
- Wiring Diagram / Schematic
- Ignition and Charging
- Steering
- Brakes
- Wheels
- Operator's Platform
- Body Panels
- Disassembly and Assembly
- Diagnostics, Tests and Adjustments
- Troubleshooting
- and much more...

Please note this manual is in **downloadable PDF format only**. If you have any questions about this product or would like to request sample pages, please contact us and reference the product name or SKU.

## Return-to-Dig (RTD) Adjustment—Z-Bar Linkage

SPECIFICATIONS	
RTD Bar Adjustment Cap Screw Torque	121 N·m 89 lb.-ft.
Air Gap (RTD switch-to-RTD bar) Distance	5–8 mm 0.20–0.32 in.
RTD Switch Nut Torque	75 N·m 55 lb.-ft.

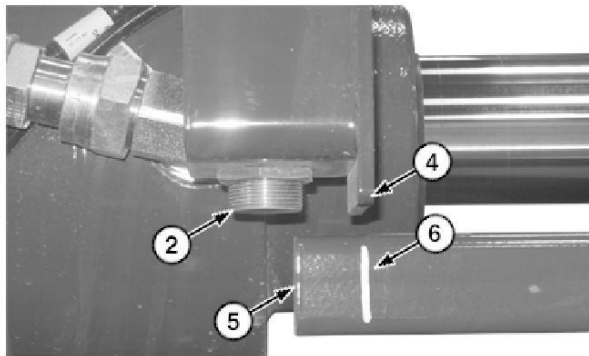
OTHER MATERIAL	
PM37509 Cure Primer	
PM37477 Thread Lock and Sealer (medium strength)	

1. NOTE:

The machine hydraulic system must be at operating temperature before making the adjustment. Cycle the bucket cylinder through full travel at least four times to ensure oil in the cylinder is warm.

Warm hydraulic oil. [See Hydraulic Oil Warm-Up Procedure.](#) (Group 9025-25.)

- Raise boom to allow clearance for full bucket dump position.
- Push and release return-to-dig (RTD) button on SSM to enable RTD (LED on).
- Move loader control lever to return-to-dig detent position and release. Bucket will roll back and stop at current RTD setting.
- After control lever returns to neutral, install an alignment mark (6) on RTD bar (5) at edge of switch bracket (4).



TX1122084A-UN: Alignment Mark

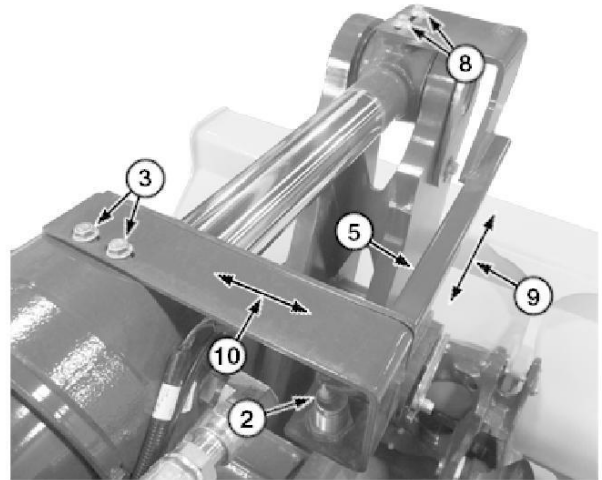
LEGEND:

- 2-Return-to-Dig (RTD) Switch
- 4-Edge of Switch Bracket
- 5-Return-to-Dig (RTD) Bar
- 6-Alignment Mark

NOTE:

RTD switch operates by sensing the RTD bar moving out of view of the RTD switch. Use the alignment mark to properly adjust RTD stopping point.

- Using hydraulic control lever, move the boom and bucket in the desired return-to-dig position. Stop engine.
- Remove RTD bar adjustment cap screws (8) one at a time and remove old thread lock and sealer. Apply PM37509 Cure Primer and PM37477 Thread Lock and Sealer (medium strength) to cap screws.



TX1122086A-UN: Return-to-Dig (RTD) Switch Bracket Adjustment

LEGEND:

- 2-Return-to-Dig (RTD) Switch
- 3-Return-to-Dig (RTD) Switch Bracket Cap Screw (3 used)
- 5-Return-to-Dig (RTD) Bar
- 8-Return-to-Dig (RTD) Bar Adjustment Cap Screw (2 used)
- 9-Return-to-Dig (RTD) Bar Adjustment
- 10-Return-to-Dig (RTD) Switch Bracket Adjustment

- Install RTD bar adjustment cap screws, but do not tighten. Adjust RTD bar alignment mark with edge of switch bracket. Tighten cap screws to specification.

Item	Measurement	Specification
RTD Bar Adjustment Cap Screw	Torque	121 N·m 89 lb.-ft.

- Verify RTD switch (2) is perpendicular to RTD bar. If adjustment is necessary, loosen RTD switch bracket cap screws (3) and slide RTD bracket assembly as needed to align with RTD bar. Tighten bracket cap screws.



Thank you very much  
for your reading.  
Please click here  
to get more information.