

# John Deere 544K 4WD Loader (SN.D642665-670307) w.Engine 6068HDW74 Diagnostic Service Manual (TM12098)

544K 4WD Loader (SN.  
D642665-670307) with  
Engine 6068HDW74 (T3)



## OPERATION AND TEST MANUAL

**4WD Loaders with Engines 6068HDW74 (T3) models 544K (PIN:  
1DW544KZ\*\*D642665-670307)**

TM12098 22 FEB 16 (ENGLISH)

**For complete service information also see:**

544K 4WD Loader Repair	TM12100
JDLink (MTG) Technical Manual	TM114519
PowerTech E 4.5 and 6.8L Diesel Engines with 16 Electronic Fuel System With Denso HPCR	CTM502
TM1V1200 - 1400 Series Hydraulic Cylinders	
120 Series Hydraulic Cylinders	
125 Series Hydraulic Cylinders	
PowerTech 4.5L & 6.8L Diesel Engines with 16 Electronic Fuel System With Denso HPCR, Tier 2/Stage II, Tier 3/Stage IIIA, Tier 3/Stage IIA Tier 3/Stage III, (base engine)	CTM104



DOWNLOAD



John Deere Construction and Forestry  
Printed by Belgreen



TM12098

**Covers:** 544K,1DW544KZ\*\*D642665-670307)

**Type:** Service Manual

**Language:** English

**Pages:** 1474

**Format:** PDF

**Features:** Bookmarked, searchable, printable

**Compatibility:** Windows/Mac/Tablet/Mobile

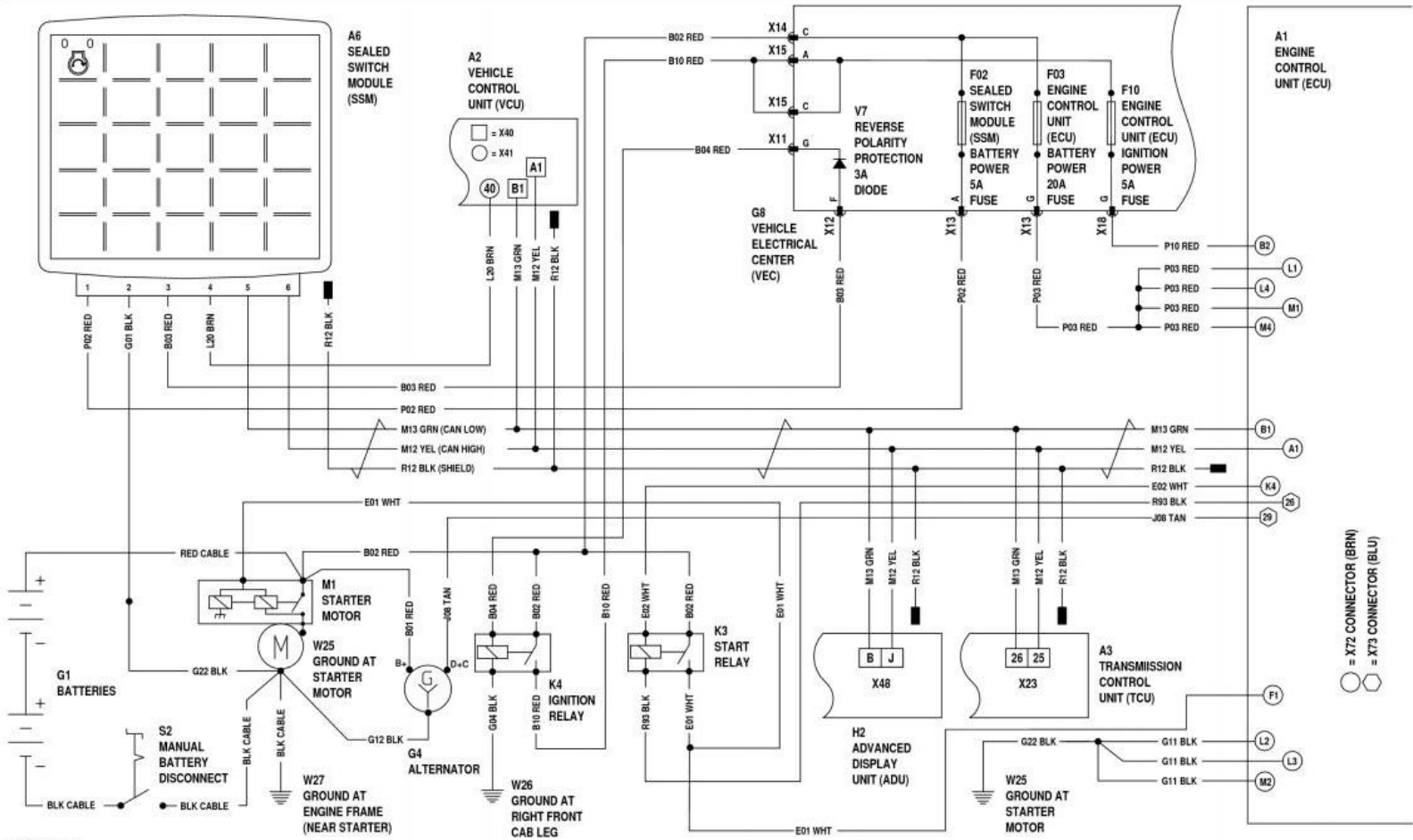
This service manual contains important information for the maintenance, troubleshooting and servicing of the **John Deere 544K 4WD Loader (SN.D642665-670307) w.Engine 6068HDW74 Diagnostic Service Manual (TM12098)**

In this manual you will find detailed specifications, illustrations, schematics, diagrams and step-by-step procedures to properly service and diagnose the machine to the manufacturer's standards.

**Contents:**

- General Information
- Specifications
- Serial Number Location
- Engine Specifications
- Engine Diagnostics
- Engine Tests and Adjustments
- Engine Repair
- Power Train
- Transmission
- Axles
- Differential
- PTO
- Hydraulic System
- Electrical System
- Electrical Tests and Diagnostics
- Wiring Diagram / Schematic
- Ignition and Charging
- Steering
- Brakes
- Wheels
- Operator's Platform
- Body Panels
- Disassembly and Assembly
- Diagnostics, Tests and Adjustments
- Troubleshooting
- and much more...

Please note this manual is in **downloadable PDF format only**. If you have any questions about this product or would like to request sample pages, please contact us and reference the product name or SKU.



TX1106533  
Engine Control Unit (ECU) Circuit Schematic (1 of 3)



Thank you very much  
for your reading.  
Please click here  
to get more information.