

John Deere 605C Crawler Loader Diagnostic, Operation and Test Service Manual (TM2353)

605C Crawler Loader Diagnostic

OPERATION AND TEST MANUAL

Loader models 605C

TM2353 30 JUN 10 (ENGLISH)

For complete service information also see:

605C Crawler Loader Repair	TM2354
Alternators and Starting Motors	CTM77
PowerTech 4.5L & 6.8L Diesel Engines Level 12 Electronic Fuel System With Stanadyne DE10 Pump	CTM331
PowerTech 4.5L & 6.8L Diesel Engines Tier 1/Stage I, Tier 2/Stage II, Tier 3/Stage IIIA, Tier 3/Stage IIA III, (Base Engine)	CTM104
Ultrasonic Under Gauge	

PDF



DOWNLOAD



John Deere Construction and Forestry

Covers: 605C

Type: Service Manual

Language: English

Pages: 516

Format: PDF

Features: Bookmarked, searchable, printable

Compatibility: Windows/Mac/Tablet/Mobile

This service manual contains important information for the maintenance, troubleshooting and servicing of the **John Deere 605C Crawler Loader Diagnostic, Operation and Test Service Manual (TM2353)**

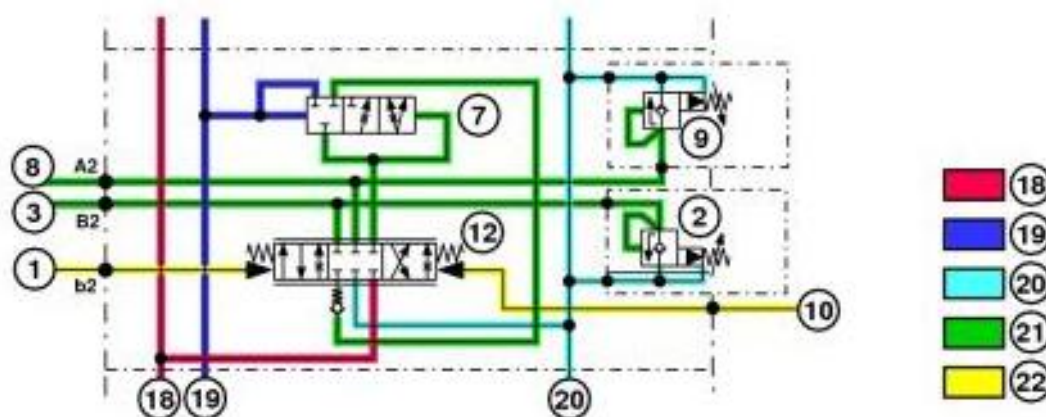
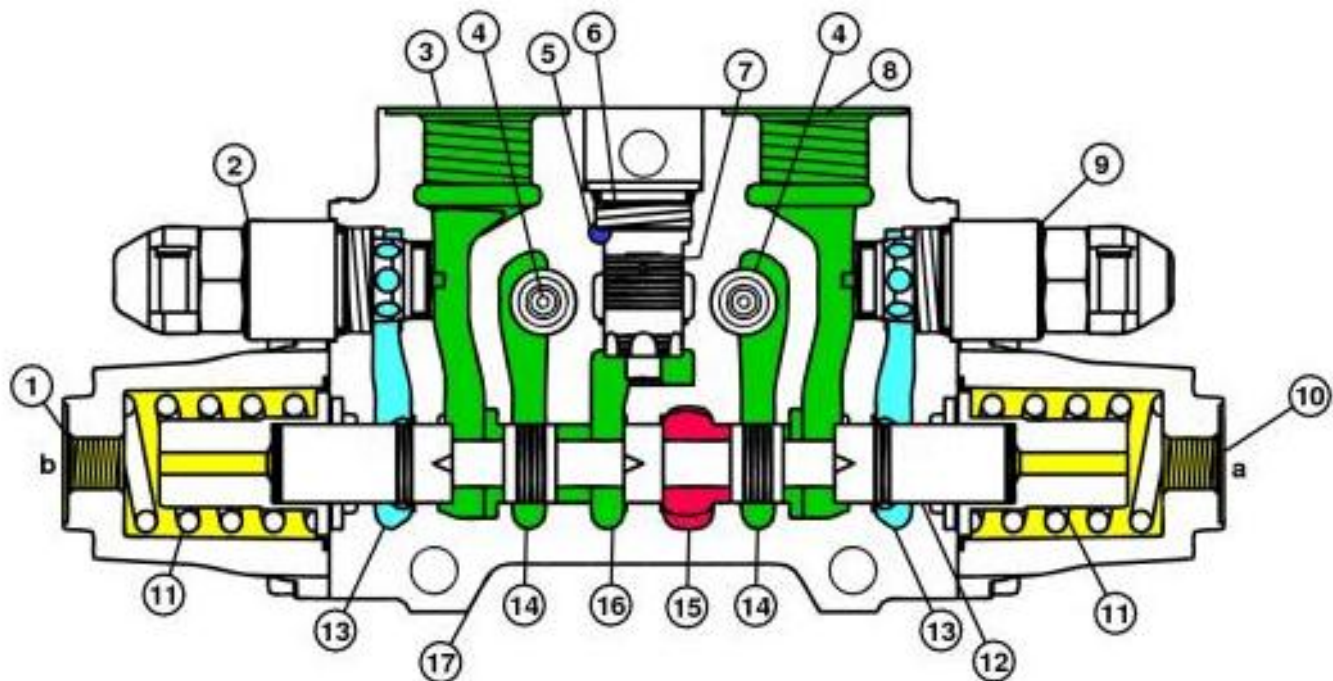
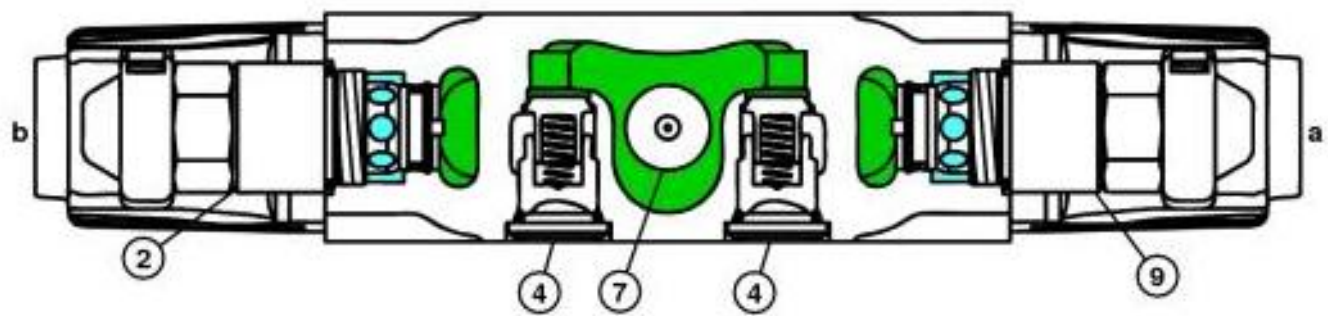
In this manual you will find detailed specifications, illustrations, schematics, diagrams and step-by-step procedures to properly service and diagnose the machine to the manufacturer's standards.

Contents:

- General Information
- Specifications
- Serial Number Location
- Engine Specifications
- Engine Diagnostics
- Engine Tests and Adjustments
- Engine Repair
- Power Train
- Transmission
- Axles
- Differential
- PTO
- Hydraulic System
- Electrical System
- Electrical Tests and Diagnostics
- Wiring Diagram / Schematic
- Ignition and Charging
- Steering
- Brakes
- Wheels
- Operator's Platform
- Body Panels
- Disassembly and Assembly
- Diagnostics, Tests and Adjustments
- Troubleshooting
- and much more...

Please note this manual is in **downloadable PDF format only**. If you have any questions about this product or would like to request sample pages, please contact us and reference the product name or SKU.

Bucket Control Valve Section Operation—Neutral



T215729

Bucket Valve Section Operation—Neutral

LEGEND:

- | | |
|---|---|
| 1 | Pilot Port—Bucket Dump |
| 2 | Relief Valve—Anticavitation (bucket dump) |
| 3 | Bucket Dump Work Port—Cylinder Rod End |



Thank you very much
for your reading.
Please click here
to get more information.