

# John Deere 605K Crawler Loader Diagnostic, Operation and Test Service Manual (TM12821)

## 624K-II 4WD Loader Repair

(PIN: 1DW624K\_\_\_F677549—)



JOHN HARE



COLLECTION

### REPAIR TECHNICAL MANUAL

624K-II 4WD Loader (PIN: 1DW624K\_\_\_F677549—)

TM14148X19 01DEC18 (ENGLISH)

For complete service information also see:

TeamMate V 1400 Series Inboard Planetary Axles..... ctm143819  
TeamMate™ IV 1200 Series Inboard Planetary Axles ..... ctm140119  
624K-II 4WD Loader Operation and Test..... TM14148X19  
PowerTech 6068 OEM Diesel Engines (Final Tier 4/Stage II  
platform) Level 33 ECU ..... 140119  
Hydraulic Cylinders.....



Worldwide Construction and  
Forestry Division

Covers: 605K

**Type:** Service Manual

**Language:** English

**Pages:** 1089

**Format:** PDF

**Features:** Bookmarked, searchable, printable

**Compatibility:** Windows/Mac/Tablet/Mobile

This service manual contains important information for the maintenance, troubleshooting and servicing of the **John Deere 605K Crawler Loader Diagnostic, Operation and Test Service Manual (TM12821)**

In this manual you will find detailed specifications, illustrations, schematics, diagrams and step-by-step procedures to properly service and diagnose the machine to the manufacturer's standards.

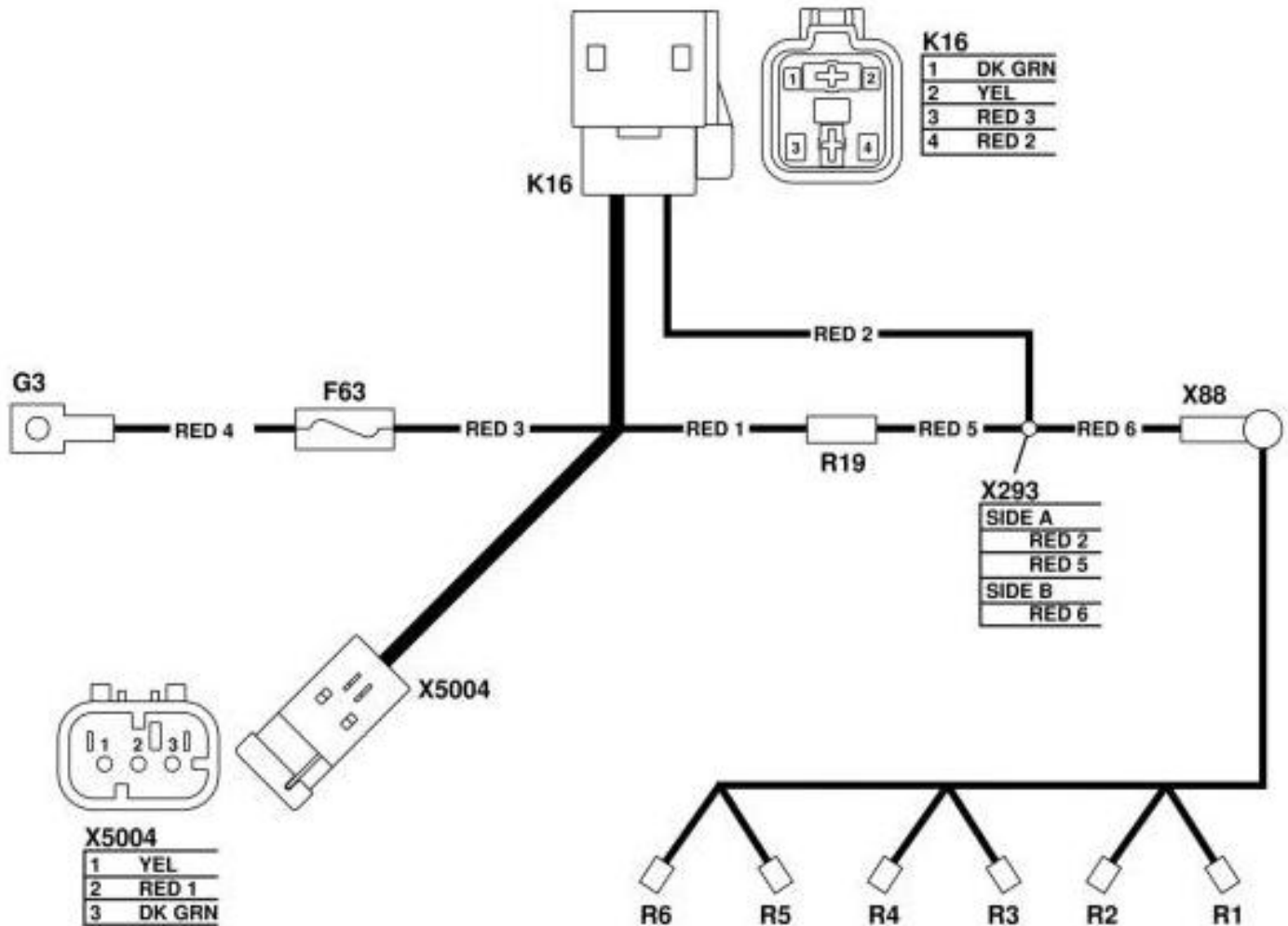
**Contents:**

- General Information
- Specifications
- Serial Number Location
- Engine Specifications
- Engine Diagnostics
- Engine Tests and Adjustments
- Engine Repair
- Power Train
- Transmission
- Axles
- Differential
- PTO
- Hydraulic System
- Electrical System
- Electrical Tests and Diagnostics
- Wiring Diagram / Schematic
- Ignition and Charging
- Steering
- Brakes
- Wheels
- Operator's Platform
- Body Panels
- Disassembly and Assembly
- Diagnostics, Tests and Adjustments
- Troubleshooting
- and much more...

Please note this manual is in **downloadable PDF format only**. If you have any questions about this product or would like to request sample pages, please contact us and reference the product name or SKU.

### Glow Plug Harness (W40) Wiring Diagram

END #1	NUMBER	COLOR	END #2
X5004	DK GRN	DK GRN	K16
X5004	RED 1	RED	R19
K16	RED 2	RED	X293
K16	RED 3	RED	F63
F63	RED 4	RED	G3
R19	RED 5	RED	X293
X293	RED 6	RED	X88
X5004	YEL	YEL	K16



TX1143391

### Glow Plug Harness (W40) Wiring Diagram

**LEGEND:**

- F63                      Glow Plug 50 A Fuse
- G3                        Alternator
- K16                      Glow Plug Relay
- R1                        Glow Plug 1
- R2                        Glow Plug 2
- R3                        Glow Plug 3
- R4                        Glow Plug 4
- R5                        Glow Plug 5
- R6                        Glow Plug 6
- R19                      Glow Plug Resistor
- X88                      Glow Plug Harness-to-Glow Plug Connector
- X293                    RED Splice 1
- X5004                  Engine Harness-to-Glow Plug Interface Connector



Thank you very much  
for your reading.  
Please click here  
to get more information.