

John Deere 60D Compact Excavator Diagnostic, Operation and Test Service Manual (TM10760)

5310N, 5410N and 5510N Tractors

TECHNICAL MANUAL

5310N, 5410N, 5510N

TM4772 29MAY02 (ENGLISH)

For complete service information also see:

Alternators and Starting Motors	CTM77
PowerTech 4.5L and 6.8L Diesel Engines Mechanical Fuel Systems	CTM207
PowerTech 2.9L Diesel Engines	CTM125
PowerTech 4.5L & 6.8L Diesel Engines Tier 1/Stage I, Tier 2/Stage II, Tier 3/Stage IIIA, Tier 3/Stage IIA Tier 3/Stage III, (Base Engine)	CTM104

PDF



DOWNLOAD



John Deere Agriculture

Type: Service Manual

Language: English

Pages: 543

Format: PDF

Features: Bookmarked, searchable, printable

Compatibility: Windows/Mac/Tablet/Mobile

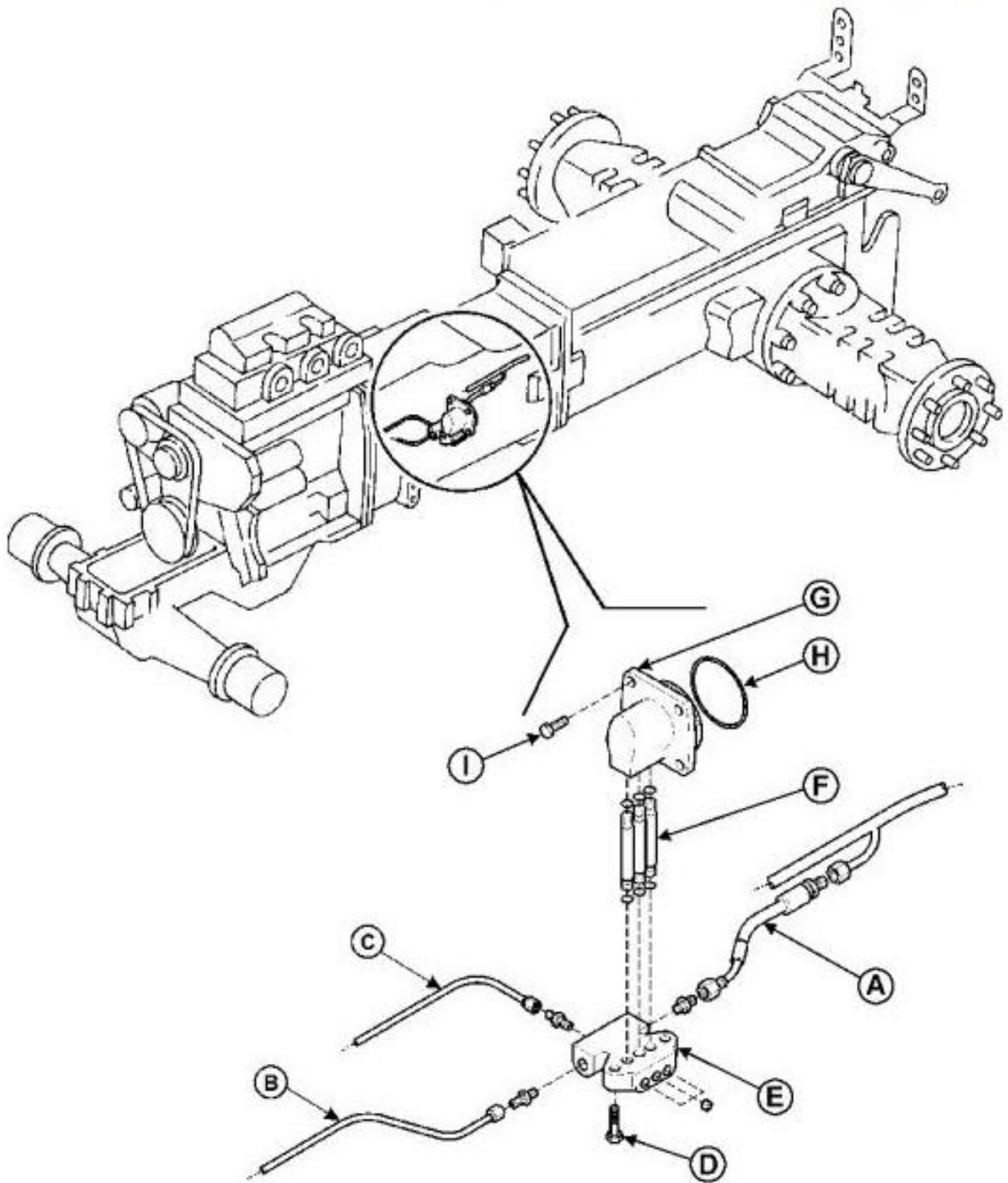
This service manual contains important information for the maintenance, troubleshooting and servicing of the **John Deere 60D Compact Excavator Diagnostic, Operation and Test Service Manual (TM10760)**

In this manual you will find detailed specifications, illustrations, schematics, diagrams and step-by-step procedures to properly service and diagnose the machine to the manufacturer's standards.

Contents:

- General Information
- Specifications
- Serial Number Location
- Engine Specifications
- Engine Diagnostics
- Engine Tests and Adjustments
- Engine Repair
- Power Train
- Transmission
- Axles
- Differential
- PTO
- Hydraulic System
- Electrical System
- Electrical Tests and Diagnostics
- Wiring Diagram / Schematic
- Ignition and Charging
- Steering
- Brakes
- Wheels
- Operator's Platform
- Body Panels
- Disassembly and Assembly
- Diagnostics, Tests and Adjustments
- Troubleshooting
- and much more...

Please note this manual is in **downloadable PDF format only**. If you have any questions about this product or would like to request sample pages, please contact us and reference the product name or SKU.



AT3658

Hydraulic Hi-Lo lines**LEGEND:**

A	Lubrication line
B	Clutch (Hi) supply line
C	Clutch (Lo) supply line
D	Bolt (2 used)
E	Flange
F	Pipe (3 used)



Thank you very much
for your reading.
Please click here
to get more information.