

John Deere 60G (SN.J285001-) Compact Excavator Diagnostic, Operation & Test Service Manual (TM12879)

770G, 770GP, 772G and 772GP Motor Graders Repair

PIN: 1DW770GX__F678818—680877;
PIN: 1DW770GP__F678818—680877;
PIN: 1DW772GX__F678818—680877;
PIN: 1DW772GP__F678818—680877



JOHN HARE



COLLECTION

REPAIR MANUAL 770G, 770GP, 772G and 772GP Motor Graders (PIN: 1DW770GX__F678818—680877; PIN: 1DW770GP__F678818—680877; PIN: 1DW772GX__F678818—680877;



For complete service information also see:

770G, 770GP, 772G and 772GP Motor Graders Operators Manual.....	OMT363020X19
770G, 770GP, 772G and 772GP Motor Graders Operation and Test.....	TM14070X19
TeamMate™ II 1400 Series Inboard Planetary Axles.....	ctm138619
DF180 Series Powershift Transmission Repair Manual...	ctm309
6090 PowerTech™ OEM Diesel Engines (Final Tier 4/ Stage IV platform).....	ctm117719
Hydraulic Cylinders.....	ctm120519

Worldwide Construction and
Forestry Division

Covers: 60G,1FF060GX**J285001 (???)

Type: Service Manual

Language: English

Pages: 573

Format: PDF

Features: Bookmarked, searchable, printable

Compatibility: Windows/Mac/Tablet/Mobile

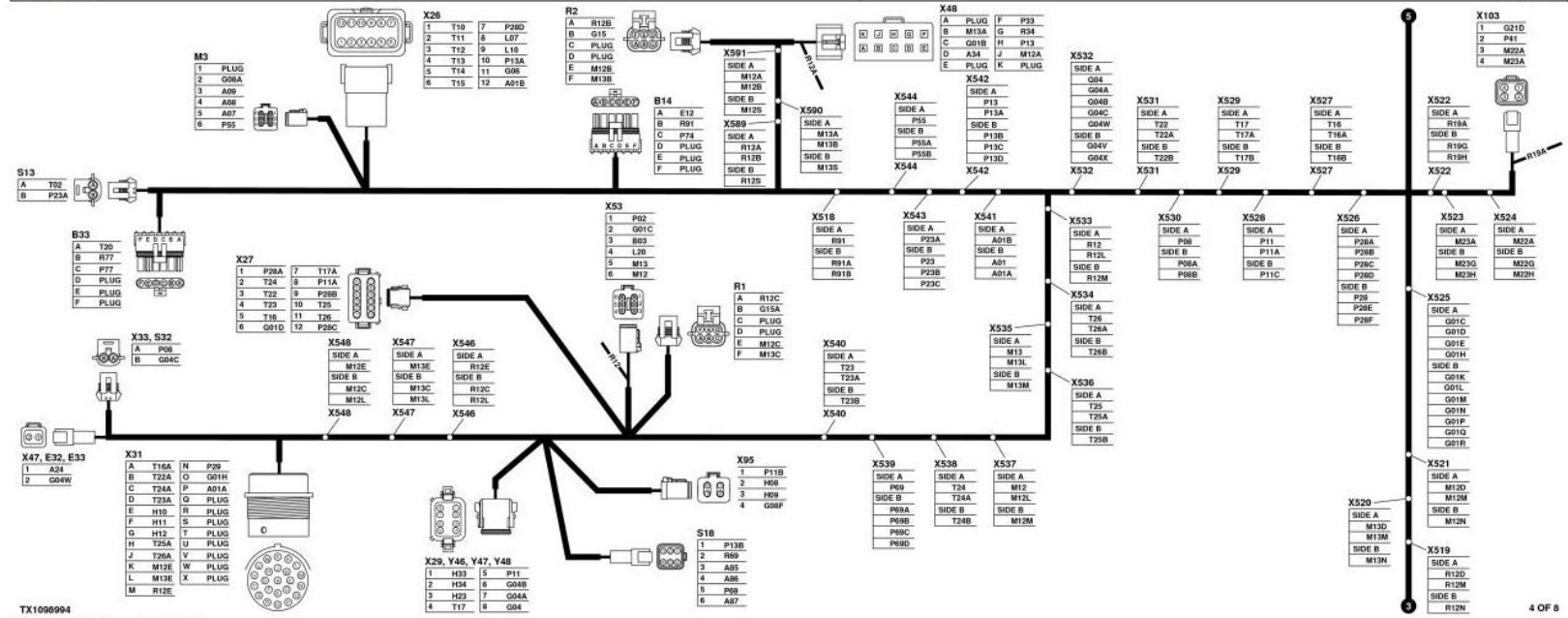
This service manual contains important information for the maintenance, troubleshooting and servicing of the **John Deere 60G (SN.J285001-) Compact Excavator Diagnostic, Operation & Test Service Manual (TM12879)**

In this manual you will find detailed specifications, illustrations, schematics, diagrams and step-by-step procedures to properly service and diagnose the machine to the manufacturer's standards.

Contents:

- General Information
- Specifications
- Serial Number Location
- Engine Specifications
- Engine Diagnostics
- Engine Tests and Adjustments
- Engine Repair
- Power Train
- Transmission
- Axles
- Differential
- PTO
- Hydraulic System
- Electrical System
- Electrical Tests and Diagnostics
- Wiring Diagram / Schematic
- Ignition and Charging
- Steering
- Brakes
- Wheels
- Operator's Platform
- Body Panels
- Disassembly and Assembly
- Diagnostics, Tests and Adjustments
- Troubleshooting
- and much more...

Please note this manual is in **downloadable PDF format only**. If you have any questions about this product or would like to request sample pages, please contact us and reference the product name or SKU.



TX1008994 Lead Center Harness (M2) Wiring Diagram (1 of 8) (R.A. -484423)



Thank you very much
for your reading.
Please click here
to get more information.