

John Deere 6145J, 6165J, 6180J & 6205J (Worldwide Edition) Tractors Service Repair Manual (TM801519)

6145J, 6165J, 6180J & 6205J Tractors (Worldwide Edition)

REPAIR MANUAL

6145J, 6165J, 6180J, 6205J

TM801519 06FEB15 (ENGLISH)

For complete service information also see:

6145J, 6165J, 6180J & 6205J Tractors Diagnostic TM801419

Front Axles Series AS, APL, Dana, Carraro, and John Deere CTM8193

Alternators and Starting Motors CTM77

PowerTech™ 4.5L and 6.8L Diesel Engines Mechanical Fuel Systems CTM207

PowerTech 4.5L Tier 1/Stage I, Tier 2/Stage II, Tier 3/Stage IIIA, Tier 4/Stage IIIB, (Base Engine)

PDF



DOWNLOAD



John Deere Agriculture

Covers: 6145J,6165J,6180J,6205J

Type: Service Manual

Language: English

Pages: 1104

Format: PDF

Features: Bookmarked, searchable, printable

Compatibility: Windows/Mac/Tablet/Mobile

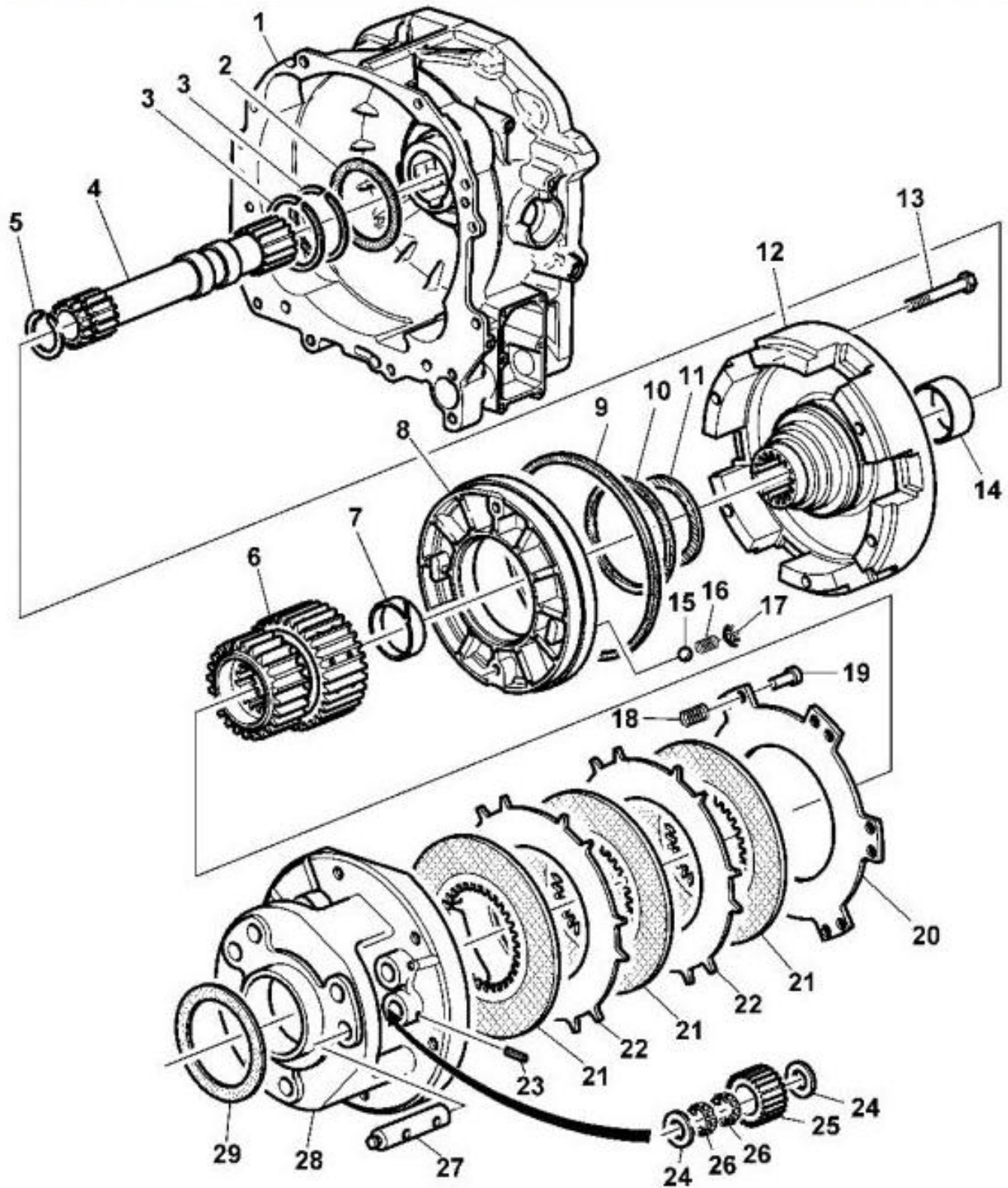
This service manual contains important information for the maintenance, troubleshooting and servicing of the **John Deere 6145J, 6165J, 6180J & 6205J (Worldwide Edition) Tractors Service Repair Manual (TM801519)**

In this manual you will find detailed specifications, illustrations, schematics, diagrams and step-by-step procedures to properly service and diagnose the machine to the manufacturer's standards.

Contents:

- General Information
- Specifications
- Serial Number Location
- Engine Specifications
- Engine Diagnostics
- Engine Tests and Adjustments
- Engine Repair
- Power Train
- Transmission
- Axles
- Differential
- PTO
- Hydraulic System
- Electrical System
- Electrical Tests and Diagnostics
- Wiring Diagram / Schematic
- Ignition and Charging
- Steering
- Brakes
- Wheels
- Operator's Platform
- Body Panels
- Disassembly and Assembly
- Diagnostics, Tests and Adjustments
- Troubleshooting
- and much more...

Please note this manual is in **downloadable PDF format only**. If you have any questions about this product or would like to request sample pages, please contact us and reference the product name or SKU.



LX1034035

Remove forward clutch with planetary drive**LEGEND:**

1	Planetary gear housing
2	Thrust washer
3	Sealing ring
4	Input shaft
5	Lock ring
6	Clutch hub



Thank you very much
for your reading.
Please click here
to get more information.