

John Deere 620G, 620GP, 622G, 622GP (SN.F680878-,L700954-) Motor Graders Repair Manual (TM14241X19)

**2654G and 2654GLC
Forestry Excavator
Repair**
(PIN: 1FF2654G__F260001—)



JOHN HARE



COLLECTION

REPAIR TECHNICAL MANUAL
**2654G and 2654GLC Forestry Excavator (PIN:
1FF2654G__F260001—)**

TM14034X19 01DEC18 (ENGLISH)

For complete service information also see:

2654G and 2654GLC Forestry Excavator Operators
Manual..... OMT388071X19
2654G and 2654GLC Forestry Excavator Operation and
Test..... TM14033X19
PowerTech 6068 OEM Diesel (IV platform) Level 33 ECU...



Worldwide Construction and
Forestry Division

Covers: 620G,620GP,1DW620G__,F680878-;;1DW620G__,L700954-

Type: Service Manual

Language: English

Pages: 440

Format: PDF

Features: Bookmarked, searchable, printable

Compatibility: Windows/Mac/Tablet/Mobile

This service manual contains important information for the maintenance, troubleshooting and servicing of the **John Deere 620G, 620GP, 622G, 622GP (SN.F680878-,L700954-) Motor Graders Repair Manual (TM14241X19)**

In this manual you will find detailed specifications, illustrations, schematics, diagrams and step-by-step procedures to properly service and diagnose the machine to the manufacturer's standards.

Contents:

- General Information
- Specifications
- Serial Number Location
- Engine Specifications
- Engine Diagnostics
- Engine Tests and Adjustments
- Engine Repair
- Power Train
- Transmission
- Axles
- Differential
- PTO
- Hydraulic System
- Electrical System
- Electrical Tests and Diagnostics
- Wiring Diagram / Schematic
- Ignition and Charging
- Steering
- Brakes
- Wheels
- Operator's Platform
- Body Panels
- Disassembly and Assembly
- Diagnostics, Tests and Adjustments
- Troubleshooting
- and much more...

Please note this manual is in **downloadable PDF format only**. If you have any questions about this product or would like to request sample pages, please contact us and reference the product name or SKU.

Track Chain Repair to Replace Broken Part

NOTE:

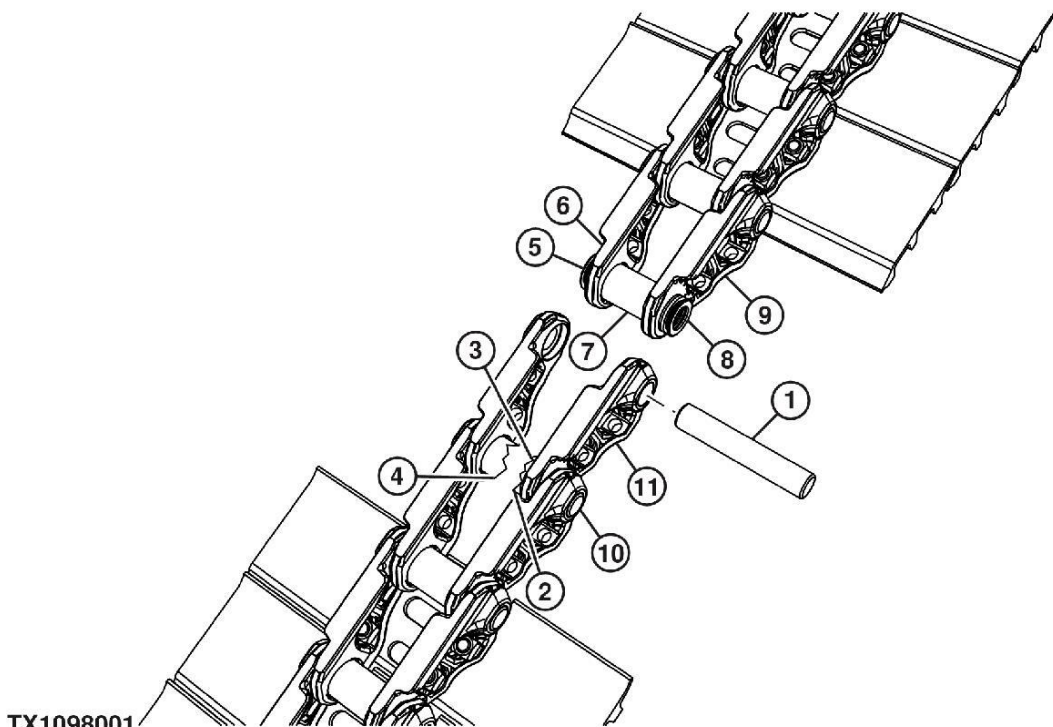
This procedure is to address a broken track pin or broken track link.

Broken Track Pin Replacement

1. Remove three track shoes surrounding damaged area. [See Track Shoe Remove and Install](#). (Group 0130.)

2. NOTE:

All track pins, bushings, and links will be discarded and replaced with new parts.



TX1098001

TX1098001-UN: Track Pin

LEGEND:

1-Broken Track Pin
2-Bushing
3-Cut Point
4-Cut Point
5-Grind Point
6-Track Link

7-Bushing
8-Grind Point
9-Track Link
10-Track Pin
11-Track Link Assembly

Remove broken track pin (1).

IMPORTANT:

3. **Avoid damage to good parts. Use care when operating cutting torch.**

Cut bushing (2) and pin at cut points (3 and 4).



Thank you very much
for your reading.
Please click here
to get more information.