

# John Deere 624KR 4WD Loader Service Repair Technical Manual (TM10693)

## S560, S690, S560i, S690i & HillMaster Combines Diagnostic

### OPERATION AND TEST MANUAL

Combines models S690, S560 STS, S560

TM102819 26 DEC 10 (ENGLISH)

For complete service information also see:

S560 STS, S690 STS and S690 HILLMASTER STS Combines Repair	TM102719
Alternators and Starting Motors	CTM77
PowerTech 13.5L OEM Diesel Engines Base Engine Repair	CTM415
PowerTech 9.0 L OEM Diesel Engines Base Engine Repair	CTM400
PowerTech 9.0 L Electronic Fuel System	CTM305
PowerTech 13.5 15 Electronic Fuel System EUIs	



DOWNLOAD



John Deere Agriculture

**Type:** Service Manual

**Language:** English

**Pages:** 415

**Format:** PDF

**Features:** Bookmarked, searchable, printable

**Compatibility:** Windows/Mac/Tablet/Mobile

This service manual contains important information for the maintenance, troubleshooting and servicing of the **John Deere 624KR 4WD Loader Service Repair Technical Manual (TM10693)**

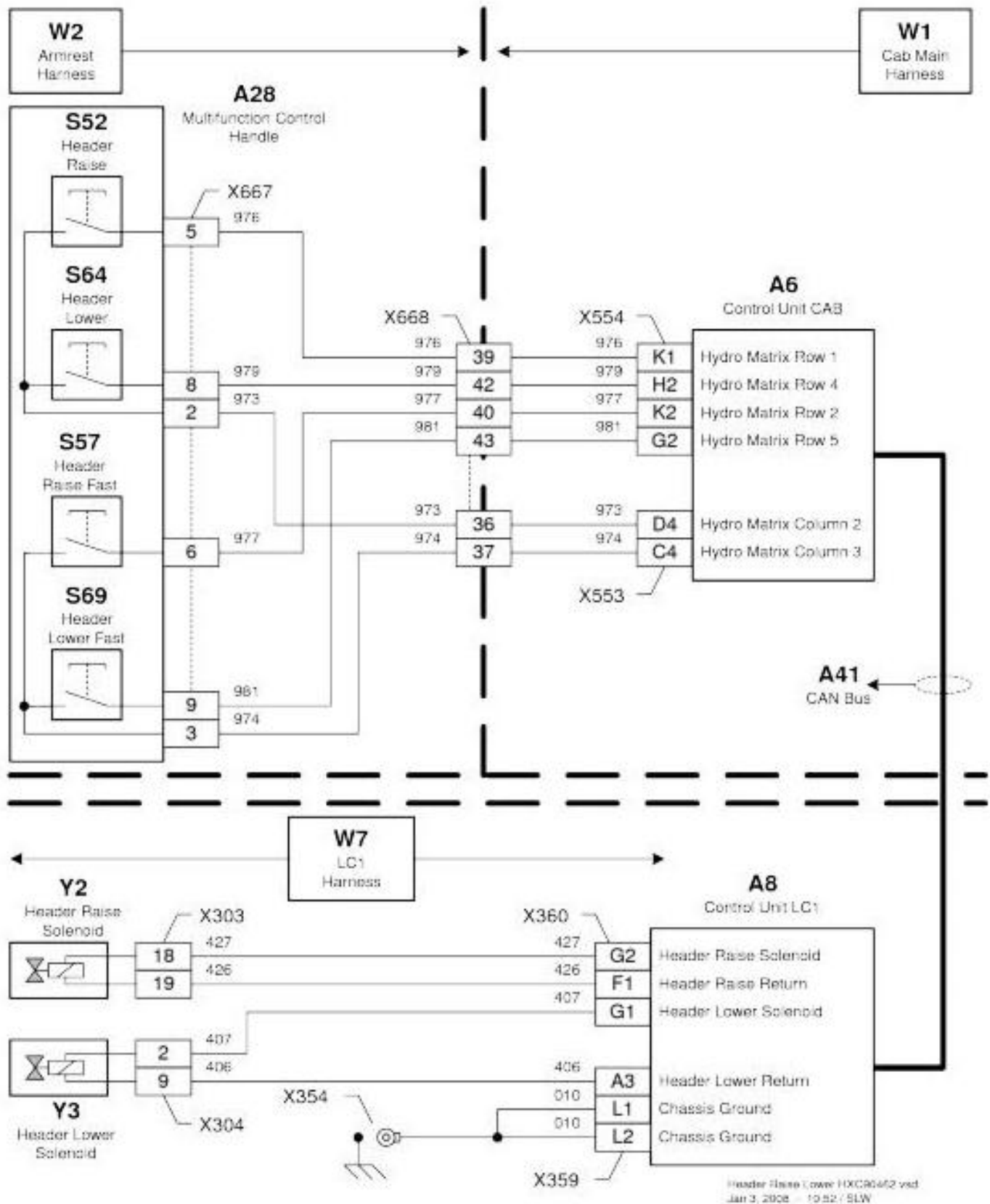
In this manual you will find detailed specifications, illustrations, schematics, diagrams and step-by-step procedures to properly service and diagnose the machine to the manufacturer's standards.

**Contents:**

- General Information
- Specifications
- Serial Number Location
- Engine Specifications
- Engine Diagnostics
- Engine Tests and Adjustments
- Engine Repair
- Power Train
- Transmission
- Axles
- Differential
- PTO
- Hydraulic System
- Electrical System
- Electrical Tests and Diagnostics
- Wiring Diagram / Schematic
- Ignition and Charging
- Steering
- Brakes
- Wheels
- Operator's Platform
- Body Panels
- Disassembly and Assembly
- Diagnostics, Tests and Adjustments
- Troubleshooting
- and much more...

Please note this manual is in **downloadable PDF format only**. If you have any questions about this product or would like to request sample pages, please contact us and reference the product name or SKU.

## Schematic



## Electrical Schematic

## LEGEND:

- A6 Control Unit CAB
- A8 Control Unit LC1
- A28 Multifunction Control Handle



Thank you very much  
for your reading.  
Please click here  
to get more information.