

John Deere 624K 4WD Loader (SN.C658065-677548;D658065-677548) Diagnostic Service Manual (TM13115X19)





310G Backhoe Loader
Repair

REPAIR TECHNICAL MANUAL
Backhoe Loaders models 310G
TM1886 18 OCT 13 (ENGLISH)

For complete service information also see:

310G Backhoe Loader Diagnostic	TM1885
Alternators and Starting Motors	CTM77
Front Wheel Drive Axles, A5 and M5-Series	CTM4687
Series 300 - 3179,4239,6359,4276,6414 Diesel Engines	CTM4
PowerTech 4.5L & 6.8L Diesel Engines Level 12 Electronic Fuel System With Stanadyne	CTM331
Super Caddy Oil	
PowerTech 4.5L and 6.8L Diesel Engines	
120 Series Hydraulic Cylinders	CTM114513
120 Series Hydraulic Cylinders	CTM109319
125 Series Hydraulic Cylinders	CTM109319
PowerTech 4.5L & 6.8L Diesel Engines Tier 1/Stage I, Tier 2/Stage II, Tier 3/Stage IIIA, Tier 3/Stage IIA Tier 3/Stage III, (Base Engine)	CTM104

John Deere Construction and Forestry
Printed by Belgium



Covers: 624K,1DW624K***C658065-677548;;1DW624K***D658065-677548

Type: Service Manual

Language: English

Pages: 1456

Format: PDF

Features: Bookmarked, searchable, printable

Compatibility: Windows/Mac/Tablet/Mobile

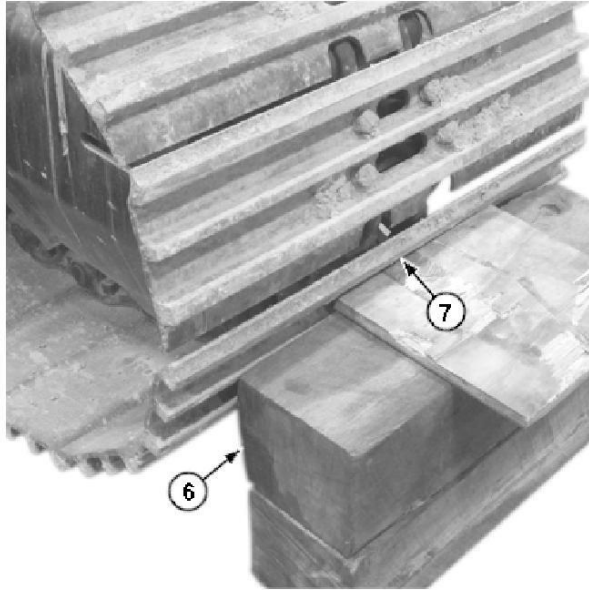
This service manual contains important information for the maintenance, troubleshooting and servicing of the **John Deere 624K 4WD Loader (SN.C658065-677548;D658065-677548) Diagnostic Service Manual (TM13115X19)**

In this manual you will find detailed specifications, illustrations, schematics, diagrams and step-by-step procedures to properly service and diagnose the machine to the manufacturer's standards.

Contents:

- General Information
- Specifications
- Serial Number Location
- Engine Specifications
- Engine Diagnostics
- Engine Tests and Adjustments
- Engine Repair
- Power Train
- Transmission
- Axles
- Differential
- PTO
- Hydraulic System
- Electrical System
- Electrical Tests and Diagnostics
- Wiring Diagram / Schematic
- Ignition and Charging
- Steering
- Brakes
- Wheels
- Operator's Platform
- Body Panels
- Disassembly and Assembly
- Diagnostics, Tests and Adjustments
- Troubleshooting
- and much more...

Please note this manual is in **downloadable PDF format only**. If you have any questions about this product or would like to request sample pages, please contact us and reference the product name or SKU.



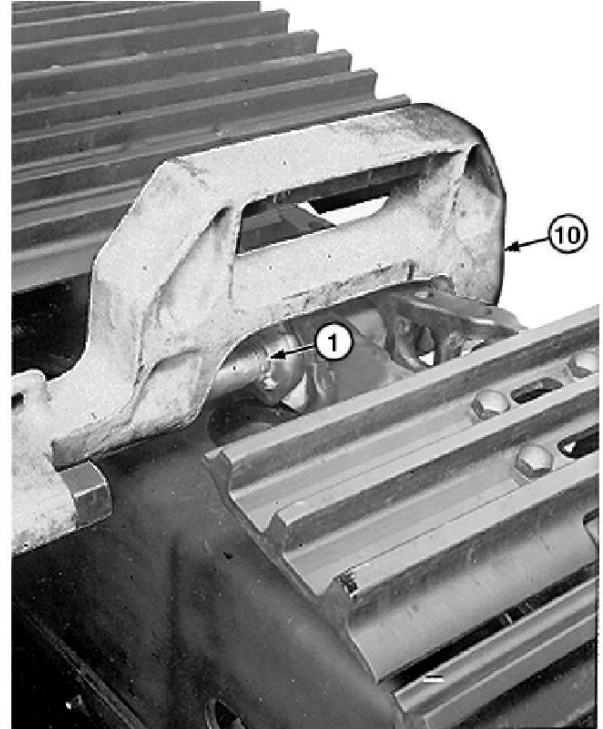
9. TX1098614A-UN: Blocking Track Grouser

LEGEND:

6-Wood Block

7-Grouser

Place wood block (6) in front of track to catch bar on grouser (7).



13. TX1201216A-UN: Master Pin Removal Using Track Press

LEGEND:

1-Master Pin

10-D01063AA Pusher and Installer, Master King Pin

Remove master pin (1) using D01063AA Pusher and



CAUTION:

10.

Prevent possible injury from movement of track.



Thank you very much
for your reading.
Please click here
to get more information.