

John Deere 625, 630, 635, 830 and 835 Mower-Conditioners Service Repair Technical Manual (TM101419)

Machine Description



459 Economy with Twine Wrap Shown



459 Economy with Net Wrap Shown

Covers: 625,630,635,830,835

Type: Service Manual

Language: English

Pages: 417

Format: PDF

Features: Bookmarked, searchable, printable

Compatibility: Windows/Mac/Tablet/Mobile

This service manual contains important information for the maintenance, troubleshooting and servicing of the **John Deere 625, 630, 635, 830 and 835 Mower-Conditioners Service Repair Technical Manual (TM101419)**

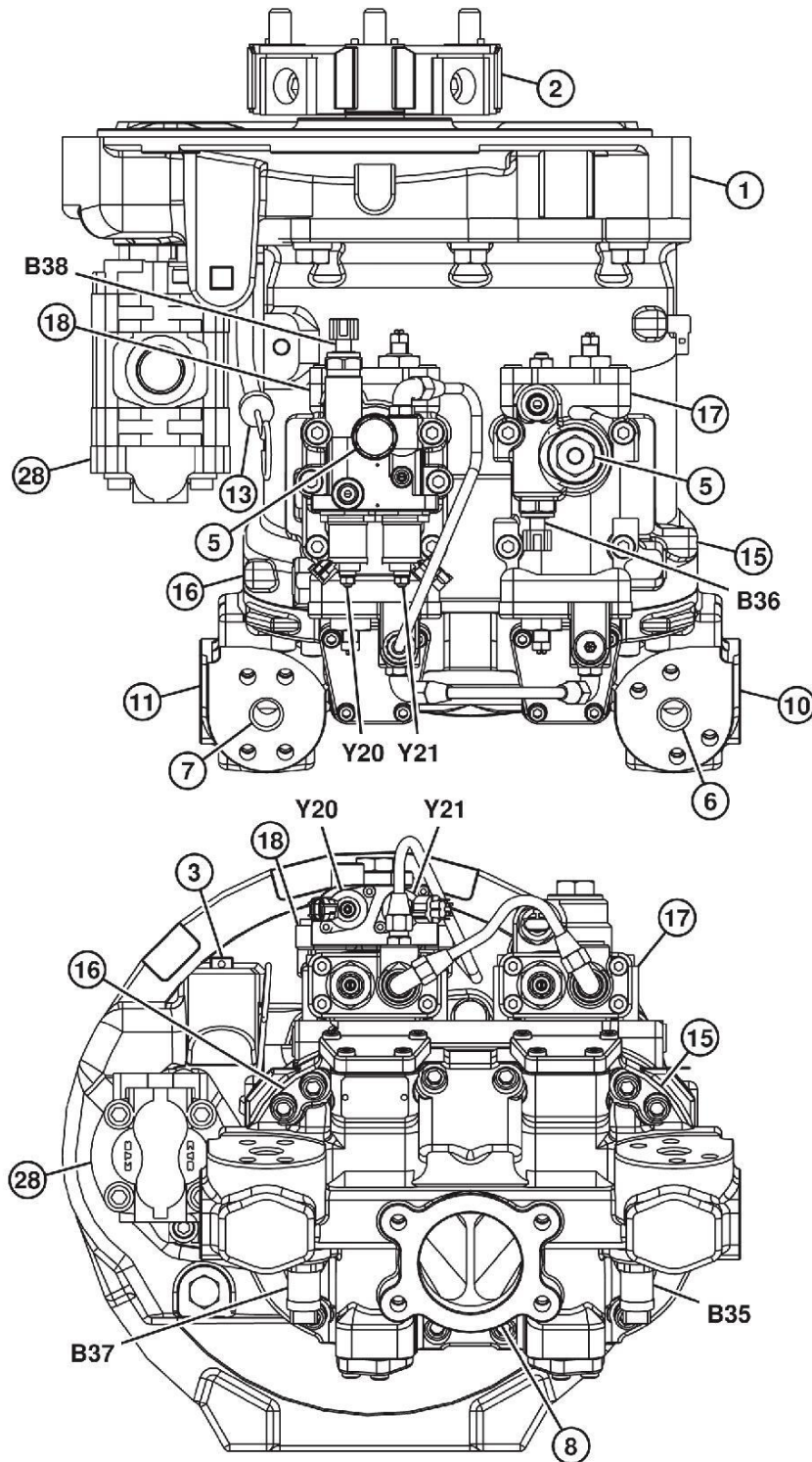
In this manual you will find detailed specifications, illustrations, schematics, diagrams and step-by-step procedures to properly service and diagnose the machine to the manufacturer's standards.

Contents:

- General Information
- Specifications
- Serial Number Location
- Engine Specifications
- Engine Diagnostics
- Engine Tests and Adjustments
- Engine Repair
- Power Train
- Transmission
- Axles
- Differential
- PTO
- Hydraulic System
- Electrical System
- Electrical Tests and Diagnostics
- Wiring Diagram / Schematic
- Ignition and Charging
- Steering
- Brakes
- Wheels
- Operator's Platform
- Body Panels
- Disassembly and Assembly
- Diagnostics, Tests and Adjustments
- Troubleshooting
- and much more...

Please note this manual is in **downloadable PDF format only**. If you have any questions about this product or would like to request sample pages, please contact us and reference the product name or SKU.

Pump 1, Pump 2, and Drive Gear Case Operation



TX1217941

TX1217941-UN: Pumps and Gear Case

LEGEND:

1-Pump Drive Gear Case
 2-Damper Drive (flex coupling)
 3-Fill Plug
 5-Air Bleed Plug (2 used)
 6-Pump 1 Discharge Port
 7-Pump 2 Discharge Port
 8-Suction Port
 10-Pump 1 Attenuator Port

11-Pump 2 Attenuator Port
 13-Dipstick
 15-Pump 1
 16-Pump 2
 17-Pump 1 Regulator
 18-Pump 2 Regulator
 28-Pilot Pump
 B35-Pump 1 Delivery Pressure Sensor

B36-Pump 1 Control Pressure Sensor
 B37-Pump 2 Delivery Pressure Sensor
 B38-Pump 2 Control Pressure Sensor
 Y20-Pump 2 Flow Rate Limit Solenoid (marked SB)
 Y21-Torque Control Solenoid (marked ST)



Thank you very much
for your reading.
Please click here
to get more information.