

# John Deere 640G-III, 648G-III; Timberjack 460D, 460DG (SN.604614-) Skidder Repair Manual (TM1086)

**2154G and 2154GLC  
Forestry Excavator  
Operation and Test**

(PIN: 1FF2154G\_\_C212001—;  
PIN: 1FF2154G\_\_D212001—)



JOHN HARE



COLLECTION

**OPERATION & TEST TECHNICAL MANUAL**  
**2154G and 2154GLC Forestry Excavator (PIN:**  
**1FF2154G\_\_C212001—; PIN: 1FF2154G\_**  
**\_D212001—)**

TM14043X19 01DEC18 (ENGLISH)

For complete service information also see:

2154G and 2154GLC Forestry Excavator Repair ..... TM14044X19  
2154G and 2154GLC Forestry Excavator  
Manual ..... 1404330X19  
PowerTech 4045, 6068 (L) Diesel Engine  
Fuel System with the Deere (HPCR) Level 14 ECU  
PowerTech 4.5L & 6.8L Diesel Engine  
Tier 2/Stage II, Tier 3/Stage IIIA, Tier 4/Stage III, (Base Engine) .....



Worldwide Construction and  
Forestry Division

**Covers:** 604614);,460D,460DG,640G-III,648G-III

**Type:** Service Manual

**Language:** English

**Pages:** 849

**Format:** PDF

**Features:** Bookmarked, searchable, printable

**Compatibility:** Windows/Mac/Tablet/Mobile

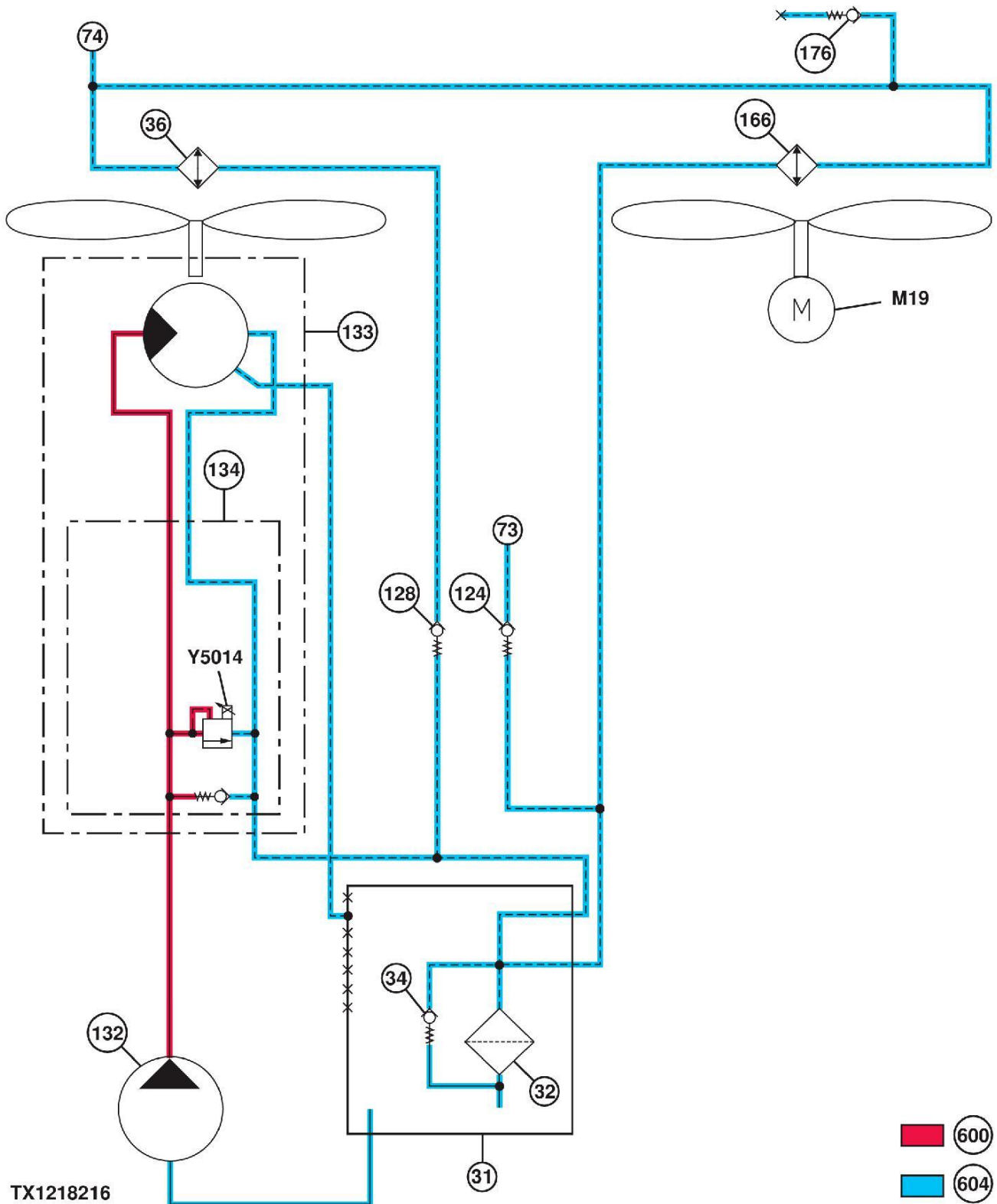
This service manual contains important information for the maintenance, troubleshooting and servicing of the **John Deere 640G-III, 648G-III; Timberjack 460D, 460DG (SN.604614-) Skidder Repair Manual (TM1086)**

In this manual you will find detailed specifications, illustrations, schematics, diagrams and step-by-step procedures to properly service and diagnose the machine to the manufacturer's standards.

**Contents:**

- General Information
- Specifications
- Serial Number Location
- Engine Specifications
- Engine Diagnostics
- Engine Tests and Adjustments
- Engine Repair
- Power Train
- Transmission
- Axles
- Differential
- PTO
- Hydraulic System
- Electrical System
- Electrical Tests and Diagnostics
- Wiring Diagram / Schematic
- Ignition and Charging
- Steering
- Brakes
- Wheels
- Operator's Platform
- Body Panels
- Disassembly and Assembly
- Diagnostics, Tests and Adjustments
- Troubleshooting
- and much more...

Please note this manual is in **downloadable PDF format only**. If you have any questions about this product or would like to request sample pages, please contact us and reference the product name or SKU.



TX1218216-UN: Fan Drive Hydraulic System Schematic (with auxiliary oil cooler)

**LEGEND:**

**31-Hydraulic Oil Tank**

**32-Return Filter**

**34-Filter Bypass**

**36-Hydraulic Oil Cooler**

**73-From Right Control Valve (4-spool)**

**74-From Left Control Valve (5-spool)**

**124-Hydraulic Oil Cooler Bypass Valve**

**128-Restriction Valve**

**132-Fan Drive Pump**

**133-Fan Drive Motor**

**134-Fan Speed Control Valve**

**166-Auxiliary Oil Cooler**

**176-Processor Return Oil Restriction Valve**

**600-High-Pressure Oil**

**604-Return Oil**

**M19-Auxiliary Oil Cooler Fan Motor**

**Y5014-Variable Speed Fan Solenoid**



Thank you very much  
for your reading.  
Please click here  
to get more information.