

John Deere 643J, 843J (SN.770001-) Wheeled Feller Buncher/Harvester Diagnostic Service Manual (TM2216)

643J and 843J Wheeled
Feller Buncher (SN. from
770001) Diagnostic



OPERATION AND TEST MANUAL

Wheeled models 643J (SN. 770001—), 843J (SN. 770001—)

TM2216 09 FEB 15 (ENGLISH)

For complete service information also see:

643J and 843J Feller-Buncher Repair	TM2217
JDLINK (MTG) Technical Manual	TM114519
Alternators and Starting Motors	CTM77
Pump Drive Service Manual	CTM57
TeamMate II 1200 Inboard Planetary Axles	CTM43
PowerTech 4.5L & 6.8L Diesel Engines Tier 1/Stage I, Tier 2/Stage II, Tier 3/Stage IIIA, Tier 3/Stage IIA, Tier 3/Stage III, (Base Engine)	CTM104
Super Caddy Oil Cleanup Product	
PowerTech 4.5 L & 6.8 L Diesel Engines Denso HPCR	
TeamMate II 1200, 1400, 1600 and 1800 Inboard Planetary Axles	CTM18
18000 Series HMD Transmission	CTM158
JDLINK/ZXLINK Machine Monitoring System	CTM10006



DOWNLOAD



John Deere Construction and Forestry
Printed by Belgreen



TM2216

Covers: 643J,770001),843J,770001)

Type: Service Manual

Language: English

Pages: 607

Format: PDF

Features: Bookmarked, searchable, printable

Compatibility: Windows/Mac/Tablet/Mobile

This service manual contains important information for the maintenance, troubleshooting and servicing of the **John Deere 643J, 843J (SN.770001-) Wheeled Feller Buncher/Harvester Diagnostic Service Manual (TM2216)**

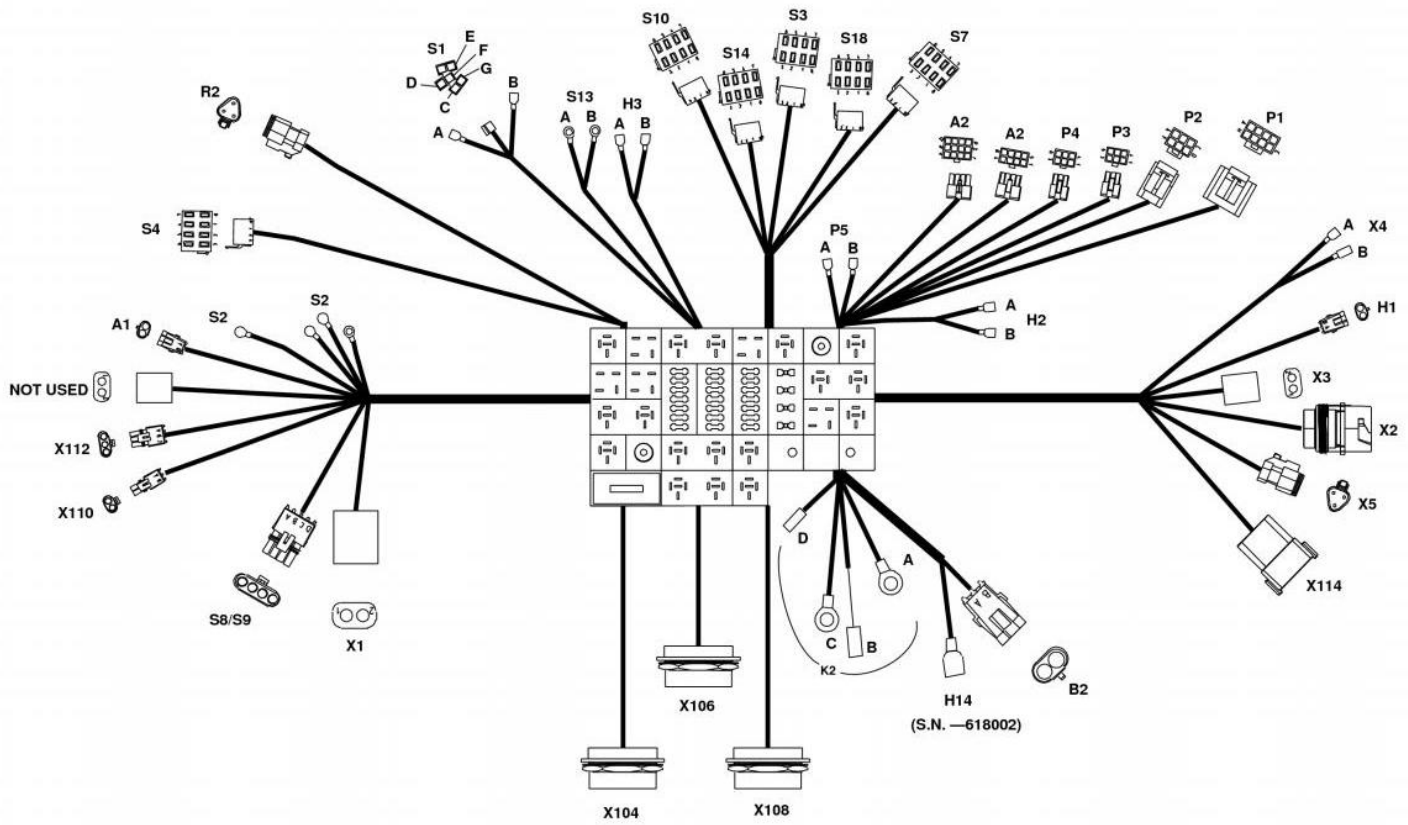
In this manual you will find detailed specifications, illustrations, schematics, diagrams and step-by-step procedures to properly service and diagnose the machine to the manufacturer's standards.

Contents:

- General Information
- Specifications
- Serial Number Location
- Engine Specifications
- Engine Diagnostics
- Engine Tests and Adjustments
- Engine Repair
- Power Train
- Transmission
- Axles
- Differential
- PTO
- Hydraulic System
- Electrical System
- Electrical Tests and Diagnostics
- Wiring Diagram / Schematic
- Ignition and Charging
- Steering
- Brakes
- Wheels
- Operator's Platform
- Body Panels
- Disassembly and Assembly
- Diagnostics, Tests and Adjustments
- Troubleshooting
- and much more...

Please note this manual is in **downloadable PDF format only**. If you have any questions about this product or would like to request sample pages, please contact us and reference the product name or SKU.

Fuse/Relay Wiring Harness



TX1044394
Fuse/Relay Wiring Harness



Thank you very much
for your reading.
Please click here
to get more information.