

John Deere 643J, 843J (SN.770001-) Wheeled Feller Buncher Service Repair Technical Manual (TM2217)

1775NT 12-Row Planter
with MaxEmerge 5 Row
Units Diagnostic



JOHN HARE



COLLECTION

DIAGNOSIS AND TESTS MANUAL
MaxEmerge 5 models 1775NT 12ROW

TM131419 01 MAY 15 (ENGLISH)

For complete service information also see:

1705 Series Planter Frame Repair	TM131319
MaxEmerge 5 & ExactEmerge Row Unit Repair	TM131219
Machine Connection Information	CTM441
120 Series Hydraulic Cylinders	CTM120519



John Deere Agriculture
Printed by Belgreen



Covers: 643J,770001),843J,770001)

Type: Service Manual

Language: English

Pages: 706

Format: PDF

Features: Bookmarked, searchable, printable

Compatibility: Windows/Mac/Tablet/Mobile

This service manual contains important information for the maintenance, troubleshooting and servicing of the **John Deere 643J, 843J (SN.770001-) Wheeled Feller Buncher Service Repair Technical Manual (TM2217)**

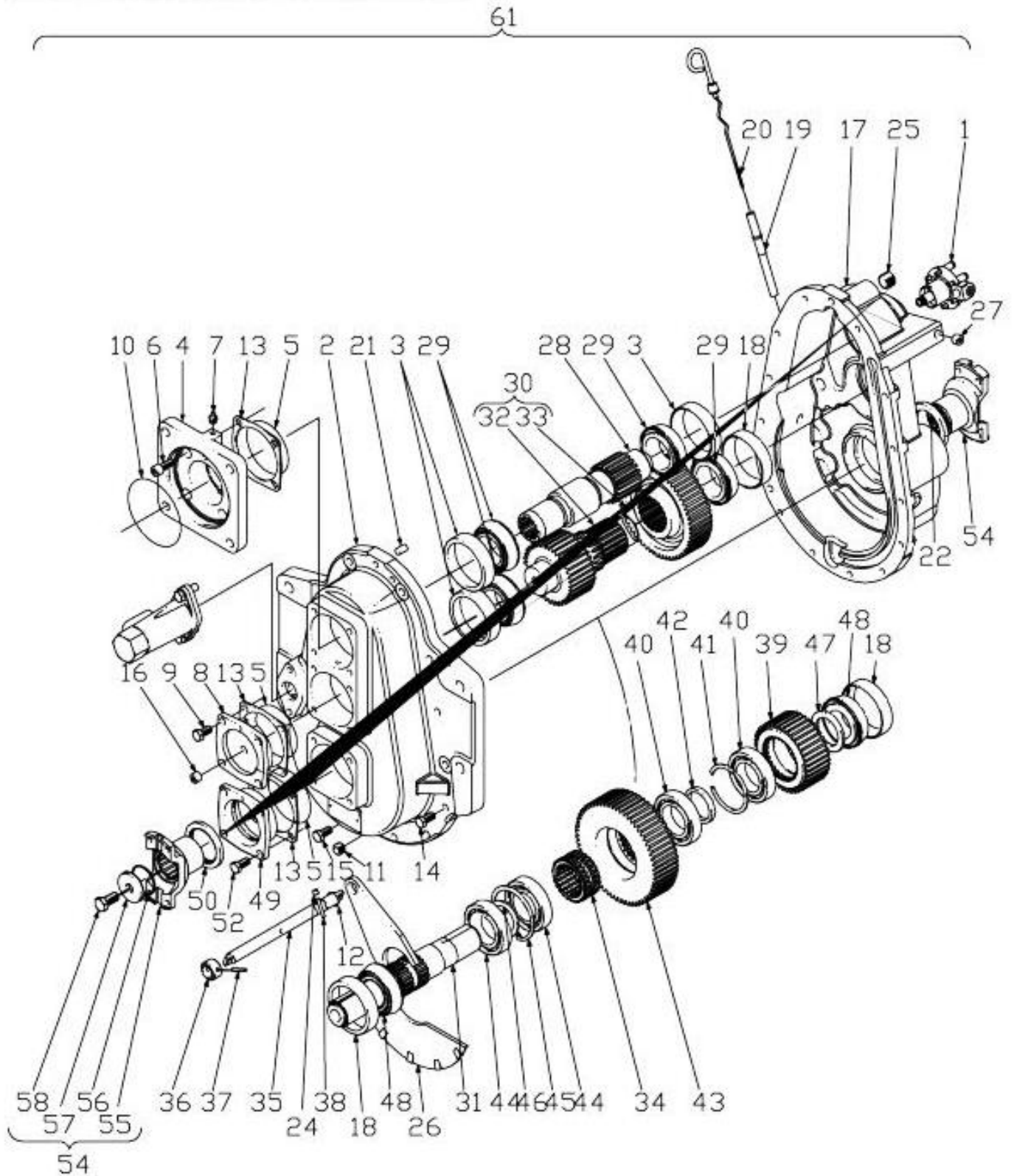
In this manual you will find detailed specifications, illustrations, schematics, diagrams and step-by-step procedures to properly service and diagnose the machine to the manufacturer's standards.

Contents:

- General Information
- Specifications
- Serial Number Location
- Engine Specifications
- Engine Diagnostics
- Engine Tests and Adjustments
- Engine Repair
- Power Train
- Transmission
- Axles
- Differential
- PTO
- Hydraulic System
- Electrical System
- Electrical Tests and Diagnostics
- Wiring Diagram / Schematic
- Ignition and Charging
- Steering
- Brakes
- Wheels
- Operator's Platform
- Body Panels
- Disassembly and Assembly
- Diagnostics, Tests and Adjustments
- Troubleshooting
- and much more...

Please note this manual is in **downloadable PDF format only**. If you have any questions about this product or would like to request sample pages, please contact us and reference the product name or SKU.

Remove and Install Transmission



Transmission

LEGEND:

- | | |
|---|-----------------|
| 1 | Pump |
| 2 | Housing |
| 3 | Bearing Cup |
| 4 | Adapter Fitting |
| 5 | O-ring |



Thank you very much
for your reading.
Please click here
to get more information.