



**Type:** Service Manual

**Language:** English

**Pages:** 961

**Format:** PDF

**Features:** Bookmarked, searchable, printable

**Compatibility:** Windows/Mac/Tablet/Mobile

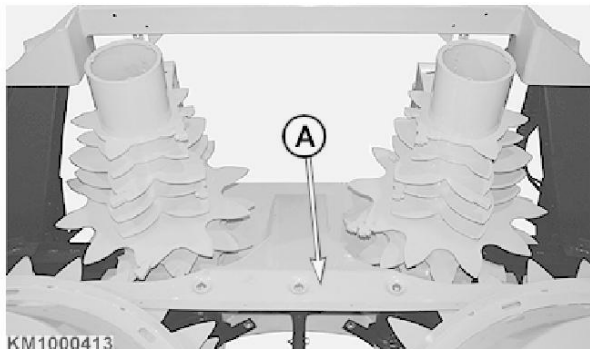
This service manual contains important information for the maintenance, troubleshooting and servicing of the **John Deere 643L (SN.C666898- D679126-) Wheeled Feller Buncher Diagnostic Service Manual (TM13129X19)**

In this manual you will find detailed specifications, illustrations, schematics, diagrams and step-by-step procedures to properly service and diagnose the machine to the manufacturer's standards.

**Contents:**

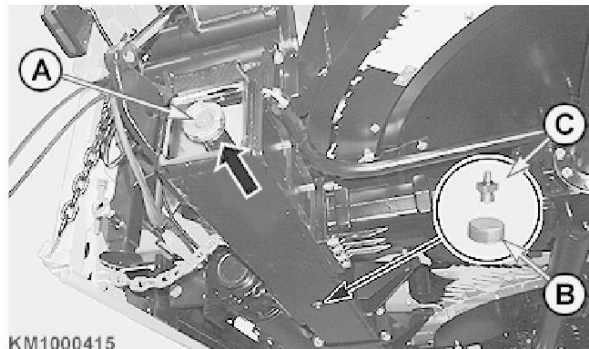
- General Information
- Specifications
- Serial Number Location
- Engine Specifications
- Engine Diagnostics
- Engine Tests and Adjustments
- Engine Repair
- Power Train
- Transmission
- Axles
- Differential
- PTO
- Hydraulic System
- Electrical System
- Electrical Tests and Diagnostics
- Wiring Diagram / Schematic
- Ignition and Charging
- Steering
- Brakes
- Wheels
- Operator's Platform
- Body Panels
- Disassembly and Assembly
- Diagnostics, Tests and Adjustments
- Troubleshooting
- and much more...

Please note this manual is in **downloadable PDF format only**. If you have any questions about this product or would like to request sample pages, please contact us and reference the product name or SKU.



KM1000413

8. KM1000413-UN: Remove Scraper  
**LEGEND:**  
**A-Scraper**  
 Remove scraper (A).

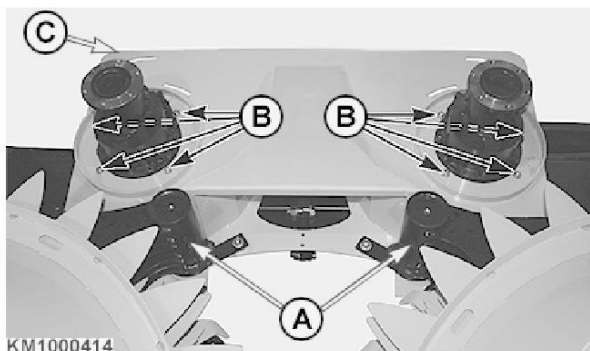


KM1000415

10. KM1000415-UN: Fold up Lateral Sections and Remove Hex Shaft  
**LEGEND:**  
**A-Hex Shaft**  
**B-Screw Plug**  
**C-Stop Screw**  
 Fold up lateral sections and remove hex. shaft (A).

**NOTE:**

There are two hex. shafts. Remove the hex. shaft which belongs to the transmission to be removed.



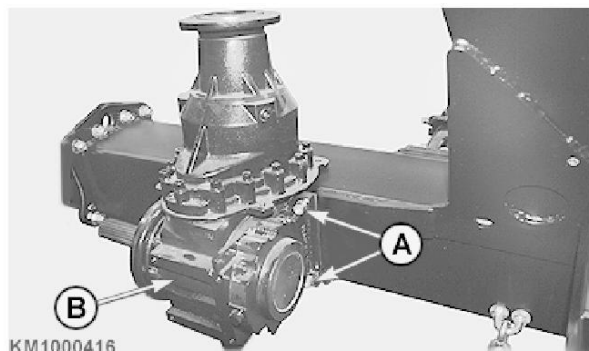
KM1000414

9. KM1000414-UN: Remove Scraper  
**LEGEND:**  
**A-Scraper**  
**B-Attaching Screws**  
**C-Bottom Plate**  
 Remove scraper (A). Take out attaching screws (B) and remove bottom plate (C).

**NOTE:**

The hydraulic hoses and the brake line are secured by means of tie bands under the bottom plate. Before removing the bottom plate, cut through the tie bands. Protect cable and hydraulic hoses from damage.

11. Remove the screw plug (B) on the bottom of the frame first.  
 12. Rotate hex. shaft, until the stop screw (C) can be removed from below.  
 13. Remove stop screw (C) and pull the hex. shaft (A) out to the side.



KM1000416

14. KM1000416-UN: Take Attaching Screws out of Spur Gear Angle Drive (B)  
**LEGEND:**  
**A-Attaching Screws**  
**B-Spur Gear Angle Drive**  
 Take attaching screws (A) out of spur gear angle drive (B).  
 15. Take spur gear angle drive (B) out of the frame using a lifting tool.

KM00321,0000483-19-20150624

## Separate the Planetary Drive from the Spur Gear Angle Drive

**IMPORTANT:**

Place a suitable container under the drive during disassembly to trap the fluid grease from the planetary drive (B).

**NOTE:**

If the spur gear angle drive (C) is not to be disassembled, it is not necessary to drain the oil from there.



Thank you very much  
for your reading.  
Please click here  
to get more information.