

John Deere 643L (SN.C666898-, D679126-) Wheeled Feller Buncher Service Repair Technical (TM13130X19)

**1450CWS,
1450WTS,
1550CWS,
1550WTS Combines
Diagnostic**

DIAGNOSIS AND TESTS MANUAL

Combines models 1450 WTS, 1450 CWS, 1550 WTS, 1550 CWS (S.N. from
070001)

TM8235 05 MAR 07 (ENGLISH)

For complete service information also see:

Combines 1450, 1550, 1450 CWS, 1550
CWS, 1450 WTS and 1550 WTS Repair TM8121

Alternators and Starting Motors CTM77

PowerTech E 4.5 and 6.8L Diesel Engines
Level 16 Electronic Fuel System With
Denso HPCR CTM502

PowerTech Plus
Engines Level 14
With Denso HPCR

PowerTech 4.5L & 6.8L D
1/Stage I, Tier 2/Stage II,
Tier 3/Stage IIA Tier 3/Stage
Engine)

PDF



DOWNLOAD



John Deere Agriculture

Type: Service Manual

Language: English

Pages: 339

Format: PDF

Features: Bookmarked, searchable, printable

Compatibility: Windows/Mac/Tablet/Mobile

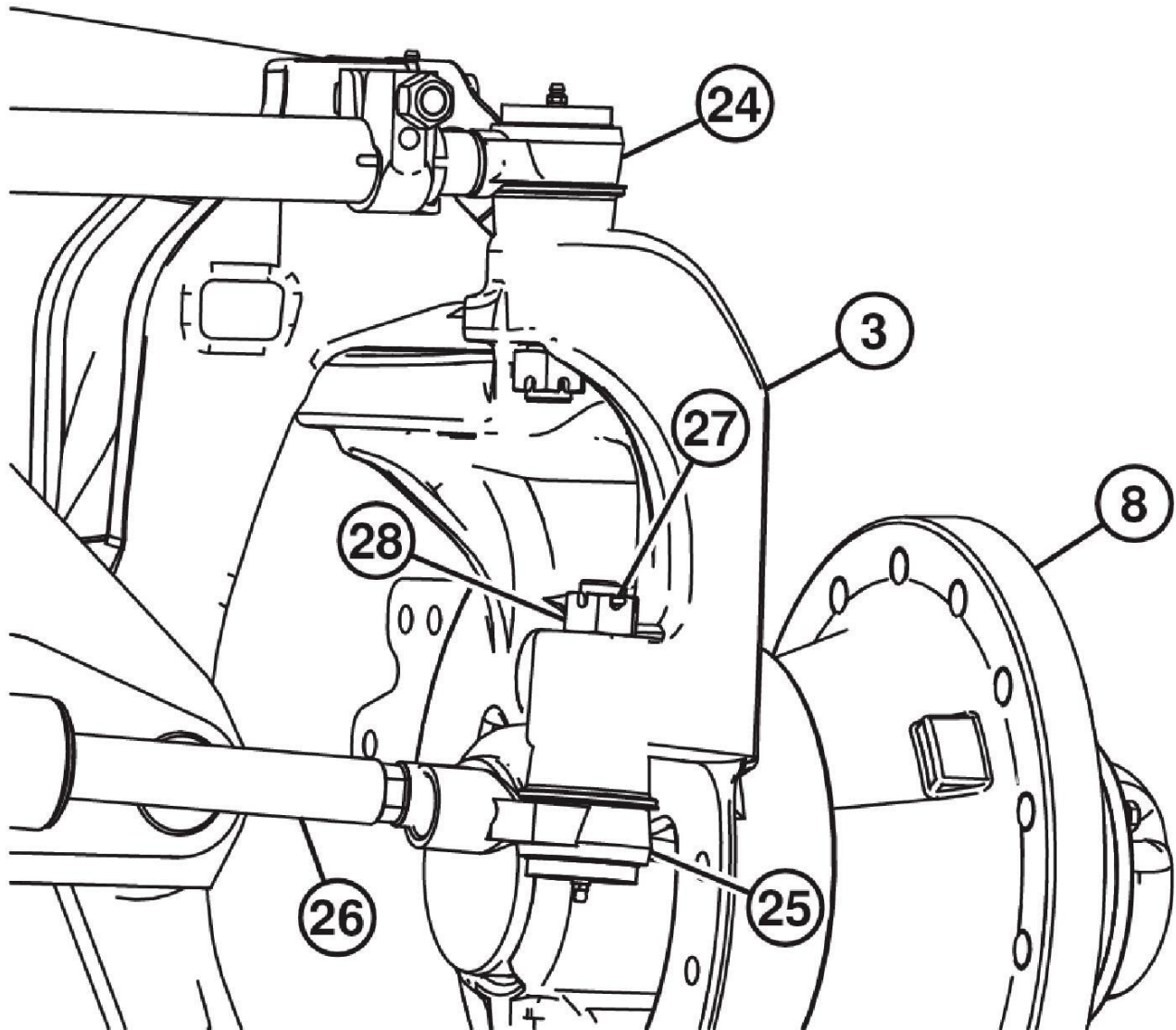
This service manual contains important information for the maintenance, troubleshooting and servicing of the **John Deere 643L (SN.C666898-, D679126-) Wheeled Feller Buncher Service Repair Technical (TM13130X19)**

In this manual you will find detailed specifications, illustrations, schematics, diagrams and step-by-step procedures to properly service and diagnose the machine to the manufacturer's standards.

Contents:

- General Information
- Specifications
- Serial Number Location
- Engine Specifications
- Engine Diagnostics
- Engine Tests and Adjustments
- Engine Repair
- Power Train
- Transmission
- Axles
- Differential
- PTO
- Hydraulic System
- Electrical System
- Electrical Tests and Diagnostics
- Wiring Diagram / Schematic
- Ignition and Charging
- Steering
- Brakes
- Wheels
- Operator's Platform
- Body Panels
- Disassembly and Assembly
- Diagnostics, Tests and Adjustments
- Troubleshooting
- and much more...

Please note this manual is in **downloadable PDF format only**. If you have any questions about this product or would like to request sample pages, please contact us and reference the product name or SKU.



TX1057434

6.

TX1057434-UN: Front Tie Rod Ends

LEGEND:

3-Yoke

8-Wheel Hub

24-Upper Tie Rod End

25-Steering Cylinder Tie Rod End

26-Steering Cylinder Rod

27-Cotter Pin (2 used)

28-Nut (2 used)

Remove cotter pin (27) and nut (28) from front axle upper tie rod end (24) and steering cylinder tie rod end (25).

7. Remove front axle upper tie rod end and steering cylinder tie rod end.



Thank you very much
for your reading.
Please click here
to get more information.