


John Deere 644K 4WD Loader (SN. C642444-658217, D642444-658217) Diagnostic Service Manual (TM12106)




326E Skid Steer Loader (EH Controls) Diagnostic




OPERATION AND TEST MANUAL
FT4/S4 models 326E (PIN: 1T0326E*J247388-)**
TM13043X19 21 OCT 15 (ENGLISH)

For complete service information also see:

326E Skid Steer Loader (PIN: 1T0326E***J247388-) Repair	TM13044X19
120 Series Hydraulic Cylinders	CTM120519
4TNV98C and 4TNV98CT Diesel Engines(Final Tier 4/Stage IV platform)	CTM120319
120 Series Hydraulic Cylinders	CTM114319

  **DOWNLOAD** 

John Deere Construction and Forestry
Printed by Belgreen



TM13043X19

Covers: 644K,(PIN:1DW644KZ**C642444-658217;;1DW644KZ**D642444-6

Type: Service Manual

Language: English

Pages: 1495

Format: PDF

Features: Bookmarked, searchable, printable

Compatibility: Windows/Mac/Tablet/Mobile

This service manual contains important information for the maintenance, troubleshooting and servicing of the **John Deere 644K 4WD Loader (SN. C642444-658217, D642444-658217) Diagnostic Service Manual (TM12106)**

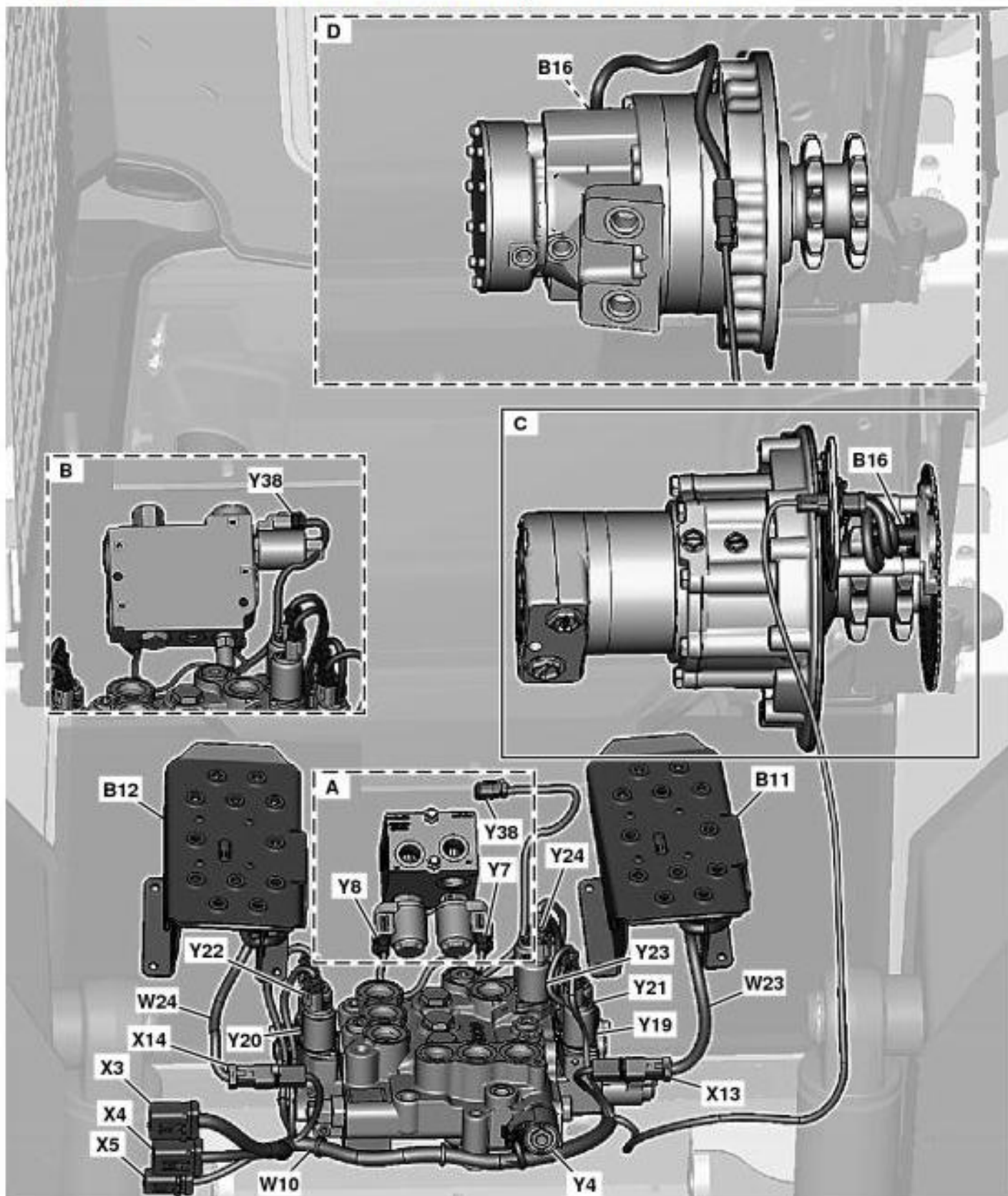
In this manual you will find detailed specifications, illustrations, schematics, diagrams and step-by-step procedures to properly service and diagnose the machine to the manufacturer's standards.

Contents:

- General Information
- Specifications
- Serial Number Location
- Engine Specifications
- Engine Diagnostics
- Engine Tests and Adjustments
- Engine Repair
- Power Train
- Transmission
- Axles
- Differential
- PTO
- Hydraulic System
- Electrical System
- Electrical Tests and Diagnostics
- Wiring Diagram / Schematic
- Ignition and Charging
- Steering
- Brakes
- Wheels
- Operator's Platform
- Body Panels
- Disassembly and Assembly
- Diagnostics, Tests and Adjustments
- Troubleshooting
- and much more...

Please note this manual is in **downloadable PDF format only**. If you have any questions about this product or would like to request sample pages, please contact us and reference the product name or SKU.

Hydraulic Valve Harness (W10) Component Location



TX1126297

Hydraulic Valve Harness (W10) Component Location

LEGEND:

- A Ride Control Option (if equipped)
- B Self Leveling Option (if equipped)
- C Location of left motor speed sensor (B16) for single speed wheeled machine.
- D Location of left motor speed sensor (B16) for two speed wheeled machine.



Thank you very much
for your reading.
Please click here
to get more information.