

John Deere 644K Loader (SN.-642443) w.Engines 6068HDW80, 6068HDW83 Diagnostic Service Manual (TM10694)

644K 4WD Loader with
Engines 6068HDW80 (T3),
6068HDW83 (S2)
Diagnostic



OPERATION AND TEST MANUAL

4WD Loaders with Engines 6068HDW80, 6068HDW83 models 644K (SN. before
642443)

TM10694 04 MAR 16 (ENGLISH)

For complete service information also see:

JDLink (MTG) Technical Manual	TM114519
644K 4WD Loader Engine 6068HDW80 Engine 6068HDW83 Repair	TM10695
Alternators and Starting Motors	CTM77
TMV1200 - 1400	CTM442
PowerTech 4045, Denso High Press	
Super Caddy Oil Cleanup Pro	
120 Series Hydraulic Cylinders	
185 Series Hydraulic Cylinders	CTM114919
120 Series Hydraulic Cylinders	CTM114319
125 Series Hydraulic Cylinders	CTM109319
PowerTech 4.5L & 6.8L Diesel Engines Tier 1/Stage I, Tier 2/Stage II, Tier 3/Stage IIIA, Tier 3/Stage IIA Tier 3/Stage III, (Base Engine)	CTM104
JDLink/ZXLink Machine Monitoring System	CTM10006



John Deere Construction and Forestry
Printed by Belgreen



Covers: 644K,642443)

Type: Service Manual

Language: English

Pages: 1436

Format: PDF

Features: Bookmarked, searchable, printable

Compatibility: Windows/Mac/Tablet/Mobile

This service manual contains important information for the maintenance, troubleshooting and servicing of the **John Deere 644K Loader (SN.-642443) w.Engines 6068HDW80, 6068HDW83 Diagnostic Service Manual (TM10694)**

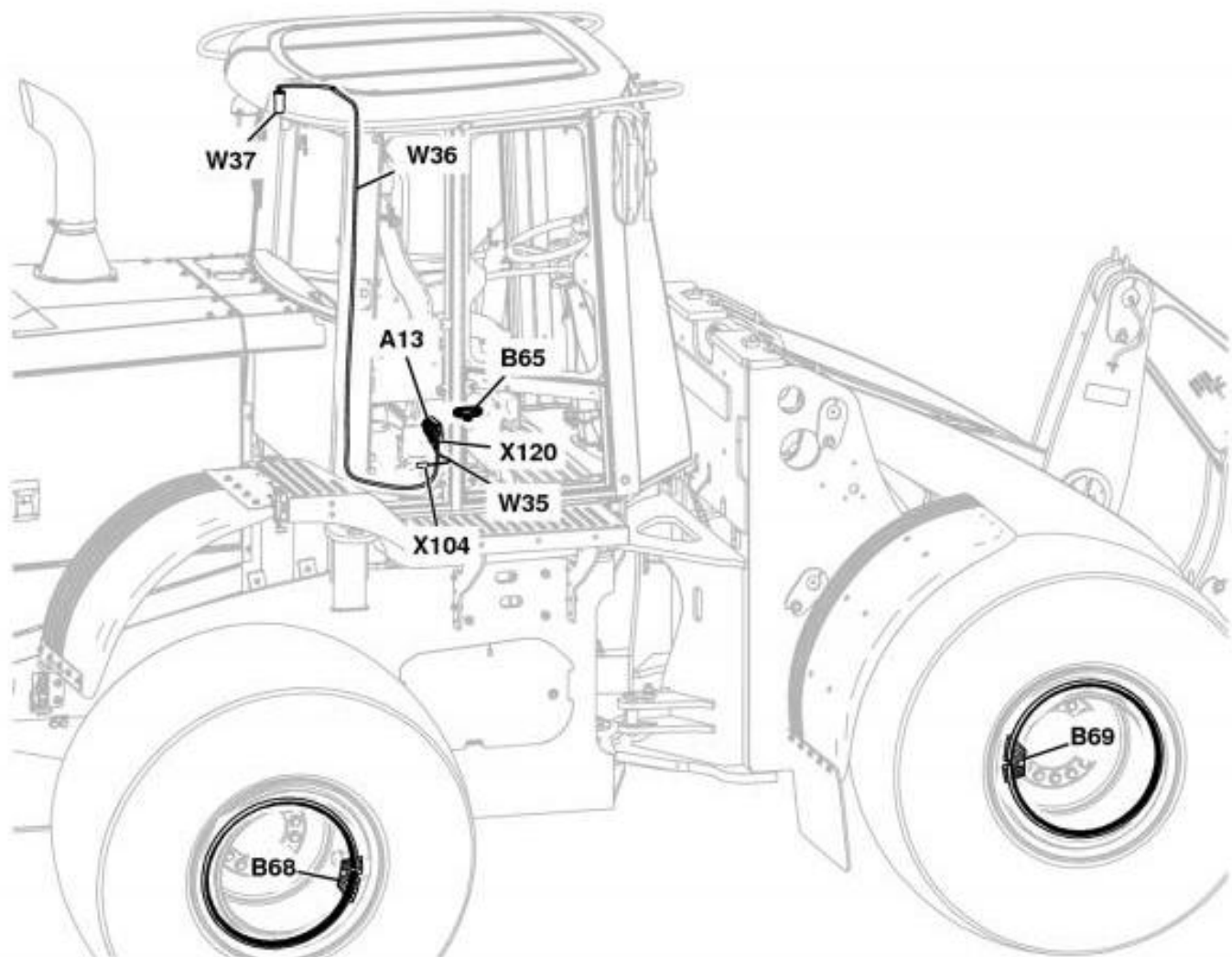
In this manual you will find detailed specifications, illustrations, schematics, diagrams and step-by-step procedures to properly service and diagnose the machine to the manufacturer's standards.

Contents:

- General Information
- Specifications
- Serial Number Location
- Engine Specifications
- Engine Diagnostics
- Engine Tests and Adjustments
- Engine Repair
- Power Train
- Transmission
- Axles
- Differential
- PTO
- Hydraulic System
- Electrical System
- Electrical Tests and Diagnostics
- Wiring Diagram / Schematic
- Ignition and Charging
- Steering
- Brakes
- Wheels
- Operator's Platform
- Body Panels
- Disassembly and Assembly
- Diagnostics, Tests and Adjustments
- Troubleshooting
- and much more...

Please note this manual is in **downloadable PDF format only**. If you have any questions about this product or would like to request sample pages, please contact us and reference the product name or SKU.

Tire Pressure Monitoring (TPM) System Harness (W35) Component Location



TX1077939

Tire Pressure Monitoring (TPM) System Harness (W35) Component Location—If Equipped

LEGEND:

A13	Tire Pressure Monitoring (TPM) Unit
B65	Ambient Air Pressure Sensor
B66	Left Front Tire Pressure Sensor (not shown)
B67	Left Rear Tire Pressure Sensor (not shown)
B68	Right Rear Tire Pressure Sensor
B69	Right Front Tire Pressure Sensor
W35	Tire Pressure Monitoring (TPM) System Harness
W36	Tire Pressure Monitoring (TPM) System Antenna Harness
W37	Tire Pressure Monitoring (TPM) System Antenna
X104	Tire Pressure Monitoring (TPM) System Connector-to-Load Center Harness Connector
X120	Antenna Harness-to-Tire Pressure Monitoring Unit Connector



Thank you very much
for your reading.
Please click here
to get more information.