

John Deere 670G, 670GP, 672G, 672GP (SN.634754◆◆◆◆◆◆◆◆656507) Motor Grader Service Repair Manual (TM12138)

670G, 670GP, 672G, and
672GP Motor Grader (SN.
634754—656507) Repair



REPAIR TECHNICAL MANUAL

Graders (SN. 634754—656507) w.engines 6090HDW01, 6068HDW75 models
670G, 670GP, 672G, 672GP

TM12138 22 DEC 15 (ENGLISH)

For complete service information also see:

670G, 670GP, 672G, and 672GP Motor Grader (SN. 634754—656507) Diagnostic	TM12136
JDLINK (MTG) Technical Manual	TM114519
Alternators and Starting Motors	CTM77
TeamMate II 1200 Series Inboard Planetary Axles	CTM43
PowerTech 9.0L Diesel Engine Base Engine Repair	
PowerTech 6090 Diesel Engine High Pressure Common Rail Fuel System	
PowerTech 4045, 6068 Diesel Engine High Pressure Common Rail Fuel System with the Denso High Pressure Common Rail ECU	CTM320
Super Caddy Oil Cleanup Procedure	CTM310
DF180 Series Powershift Transmission Repair Manual	CTM308
TeamMate II 1400 Series Inboard Planetary Axles	CTM138619
120 Series Hydraulic Cylinders	CTM120519
PowerTech 4.5L & 6.8L Diesel Engines Tier 1/Stage I, Tier 2/Stage II, Tier 3/Stage IIIA, Tier 3/Stage IIA Tier 3/Stage III, (Base Engine)	CTM104
JDLINK/ZXLINK Machine Monitoring System	CTM10006



John Deere Construction and Forestry
Printed by Belgreen



Covers: 634754◆◆◆◆◆◆◆◆656507):,670G,670GP,672G,672GP

Type: Service Manual

Language: English

Pages: 630

Format: PDF

Features: Bookmarked, searchable, printable

Compatibility: Windows/Mac/Tablet/Mobile

This service manual contains important information for the maintenance, troubleshooting and servicing of the **John Deere 670G, 670GP, 672G, 672GP (SN.634754◆◆◆◆◆◆◆◆◆◆656507) Motor Grader Service Repair Manual (TM12138)**

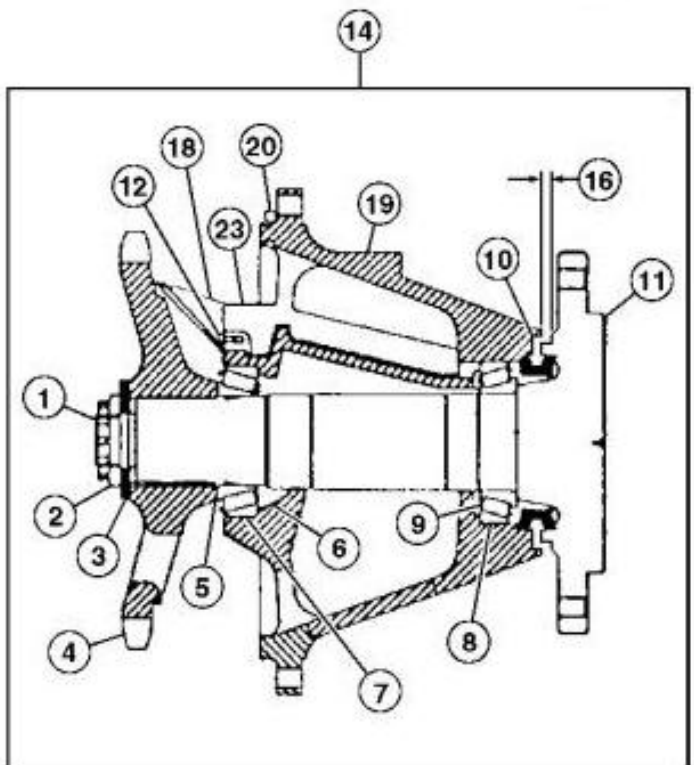
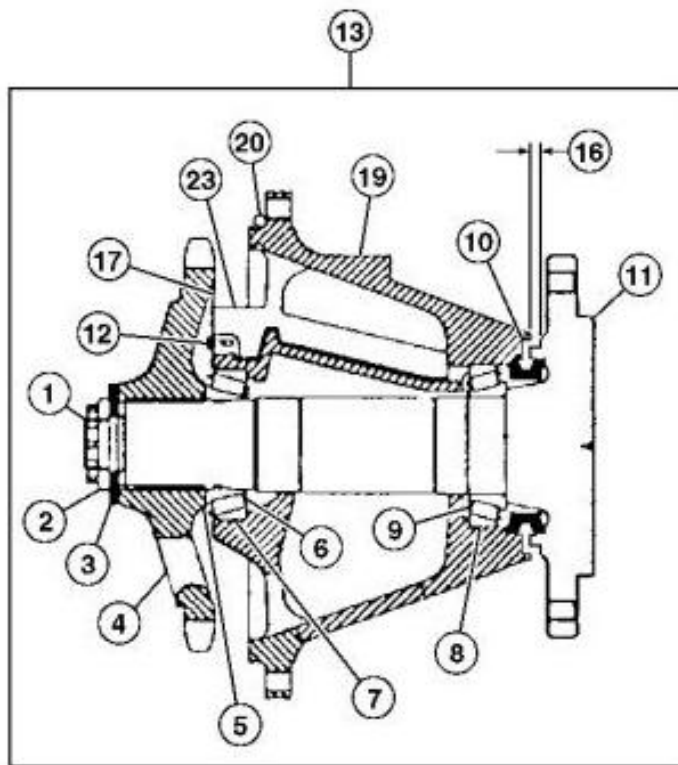
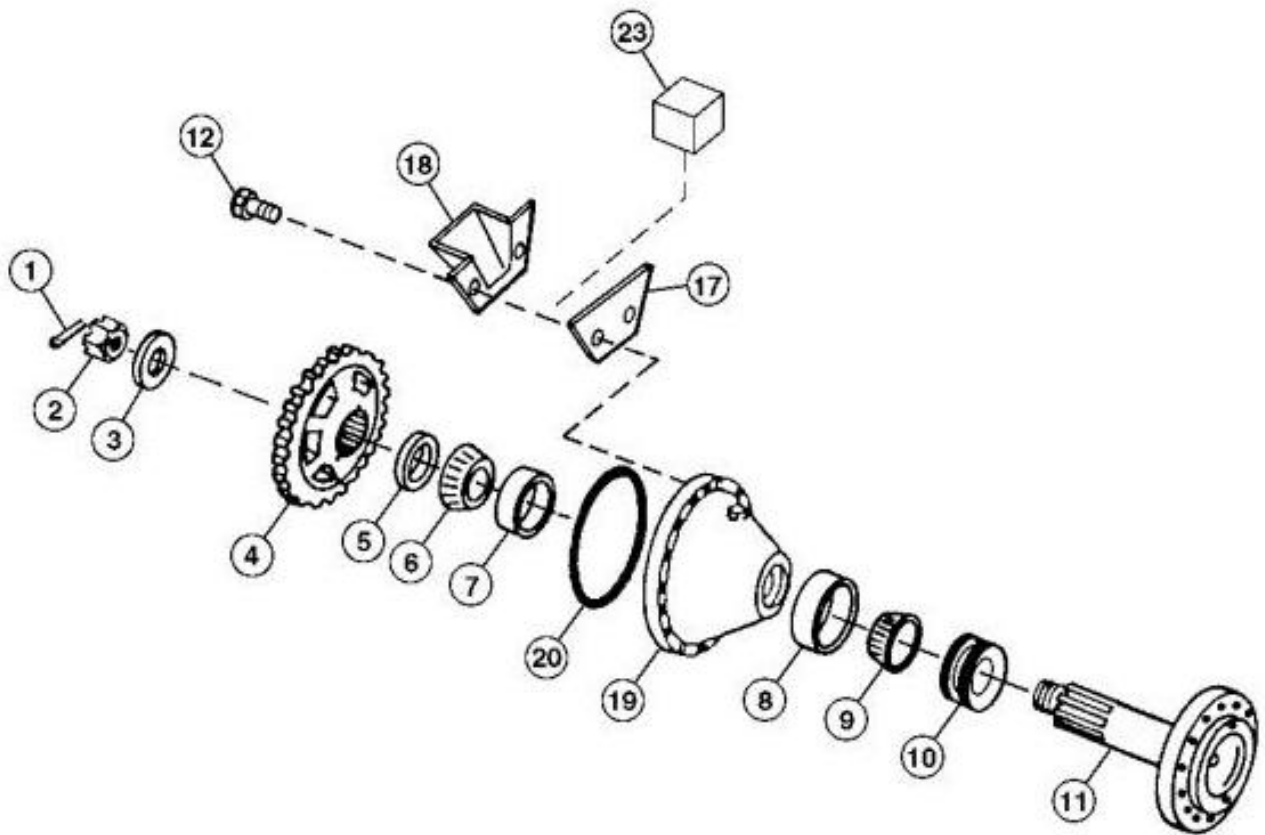
In this manual you will find detailed specifications, illustrations, schematics, diagrams and step-by-step procedures to properly service and diagnose the machine to the manufacturer's standards.

Contents:

- General Information
- Specifications
- Serial Number Location
- Engine Specifications
- Engine Diagnostics
- Engine Tests and Adjustments
- Engine Repair
- Power Train
- Transmission
- Axles
- Differential
- PTO
- Hydraulic System
- Electrical System
- Electrical Tests and Diagnostics
- Wiring Diagram / Schematic
- Ignition and Charging
- Steering
- Brakes
- Wheels
- Operator's Platform
- Body Panels
- Disassembly and Assembly
- Diagnostics, Tests and Adjustments
- Troubleshooting
- and much more...

Please note this manual is in **downloadable PDF format only**. If you have any questions about this product or would like to request sample pages, please contact us and reference the product name or SKU.

Tandem Wheel Axle Assembly Disassemble and Assemble



TX1058838

Tandem Wheel Axle Assemblies

LEGEND:

- 1 Cotter Pin
- 2 Slotted Nut
- 3 Sprocket Retainer
- 4 Wheel Axle Sprocket



Thank you very much
for your reading.
Please click here
to get more information.