

John Deere 670G, 670GP, 672G, 672GP (SN. C678818◆◆◆◆◆◆◆◆680877) Motor Graders Repair Manual (TM14078X19)

**5310, 5055E,
5060E, 5065E and
5075E Tractors
(India and Asia)**

DIAGNOSTIC TECHNICAL MANUAL

5310, 5055E, 5060E, 5065E, 5075E

TM902019 14APR15 (ENGLISH)

For complete service information also see:

5055E, 5060E, 5065E And 5075E
Tractors Repair Technical Manual (India TM901919
and Asia Edition)

PowrReverser™ Transmission - John Deere™ Pune Works. CTM901219

Drive Train 9X3 (TSS) CTM901119

Alternators and Starting Motors CTM77

00.16, 20.09, 20.10,
G20.16 and G20.17
Axles

725, 730, 733, 735, 740,
and 755HD Front Drive Axles
DANA

PowerTech 2.9L Diesel Engines CTM125

PDF



DOWNLOAD



John Deere Agriculture

Type: Service Manual

Language: English

Pages: 450

Format: PDF

Features: Bookmarked, searchable, printable

Compatibility: Windows/Mac/Tablet/Mobile

This service manual contains important information for the maintenance, troubleshooting and servicing of the **John Deere 670G, 670GP, 672G, 672GP (SN. C678818◆◆◆◆◆◆◆◆◆◆680877) Motor Graders Repair Manual (TM14078X19)**

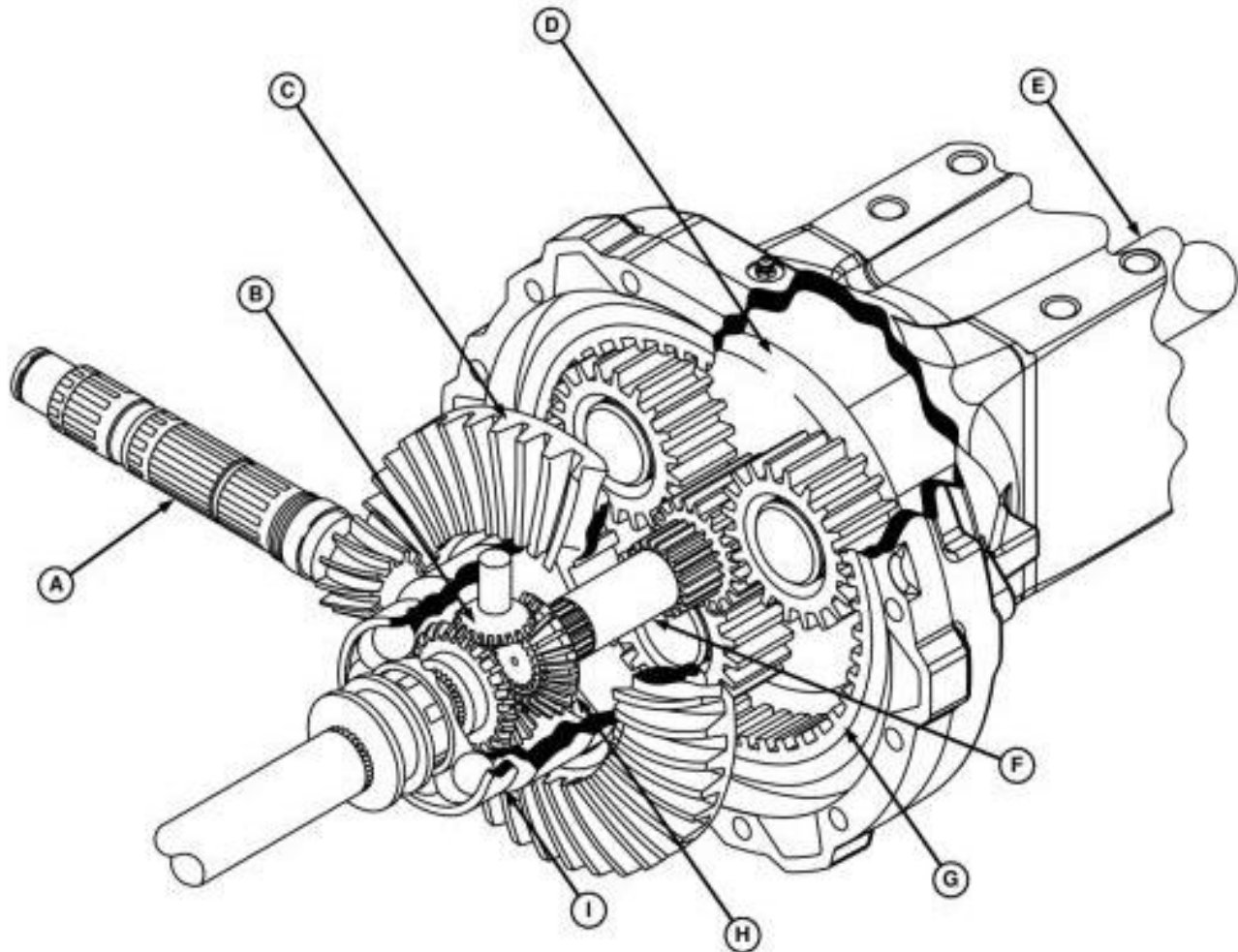
In this manual you will find detailed specifications, illustrations, schematics, diagrams and step-by-step procedures to properly service and diagnose the machine to the manufacturer's standards.

Contents:

- General Information
- Specifications
- Serial Number Location
- Engine Specifications
- Engine Diagnostics
- Engine Tests and Adjustments
- Engine Repair
- Power Train
- Transmission
- Axles
- Differential
- PTO
- Hydraulic System
- Electrical System
- Electrical Tests and Diagnostics
- Wiring Diagram / Schematic
- Ignition and Charging
- Steering
- Brakes
- Wheels
- Operator's Platform
- Body Panels
- Disassembly and Assembly
- Diagnostics, Tests and Adjustments
- Troubleshooting
- and much more...

Please note this manual is in **downloadable PDF format only**. If you have any questions about this product or would like to request sample pages, please contact us and reference the product name or SKU.

Differential Power Flow



Differential Power Flow

LEGEND:

A	Differential Drive Shaft
B	Bevel Pinion
C	Differential Ring Gear
D	Planetary Carrier Assembly
E	Axle Shaft
F	Final Drive Pinion Shaft
G	Final Drive Ring Gear
H	Bevel Gear
I	Differential Carrier

Power from differential drive shaft (A) is transmitted through the differential assembly to final drive pinion shaft (F). The final drive pinion shaft is in mesh with the three small gears on planetary carrier assembly (D). These small gears walk around the inside of final drive ring gear (G). The result is rotation of axle shaft (E).

The differential assembly is a ring gear (C) bolted to carrier (I). Inside the carrier are two bevel gears (H) and four bevel pinions (B).



Thank you very much
for your reading.
Please click here
to get more information.