

John Deere 670G, 670GP, 672G, 672GP (SN.F678818-680877) Motor Graders Repair Manual (TM14072X19)

**1450CWS,
1450WTS,
1550CWS,
1550WTS Combines
Diagnostic**

DIAGNOSIS AND TESTS MANUAL

Combines models 1450 WTS, 1450 CWS, 1550 WTS, 1550 CWS (S.N. from 070001)

TM8235 05 MAR 07 (ENGLISH)

For complete service information also see:

Combines 1450, 1550, 1450 CWS, 1550 CWS, 1450 WTS and 1550 WTS Repair TM8121

Alternators and Starting Motors CTM77

PowerTech E 4.5 and 6.8L Diesel Engines Level 16 Electronic Fuel System With Denso HPCR CTM502

PowerTech Plus Engines Level 14 With Denso HPCR

PowerTech 4.5L & 6.8L Diesel Engines (Tier 1/Stage I, Tier 2/Stage II, Tier 3/Stage IIA Tier 3/Stage IIB Engine)

PDF



DOWNLOAD



John Deere Agriculture

Covers: 670G,1DW670GX_,_F678818,670GP,1DW670GP,680877)

Type: Service Manual

Language: English

Pages: 443

Format: PDF

Features: Bookmarked, searchable, printable

Compatibility: Windows/Mac/Tablet/Mobile

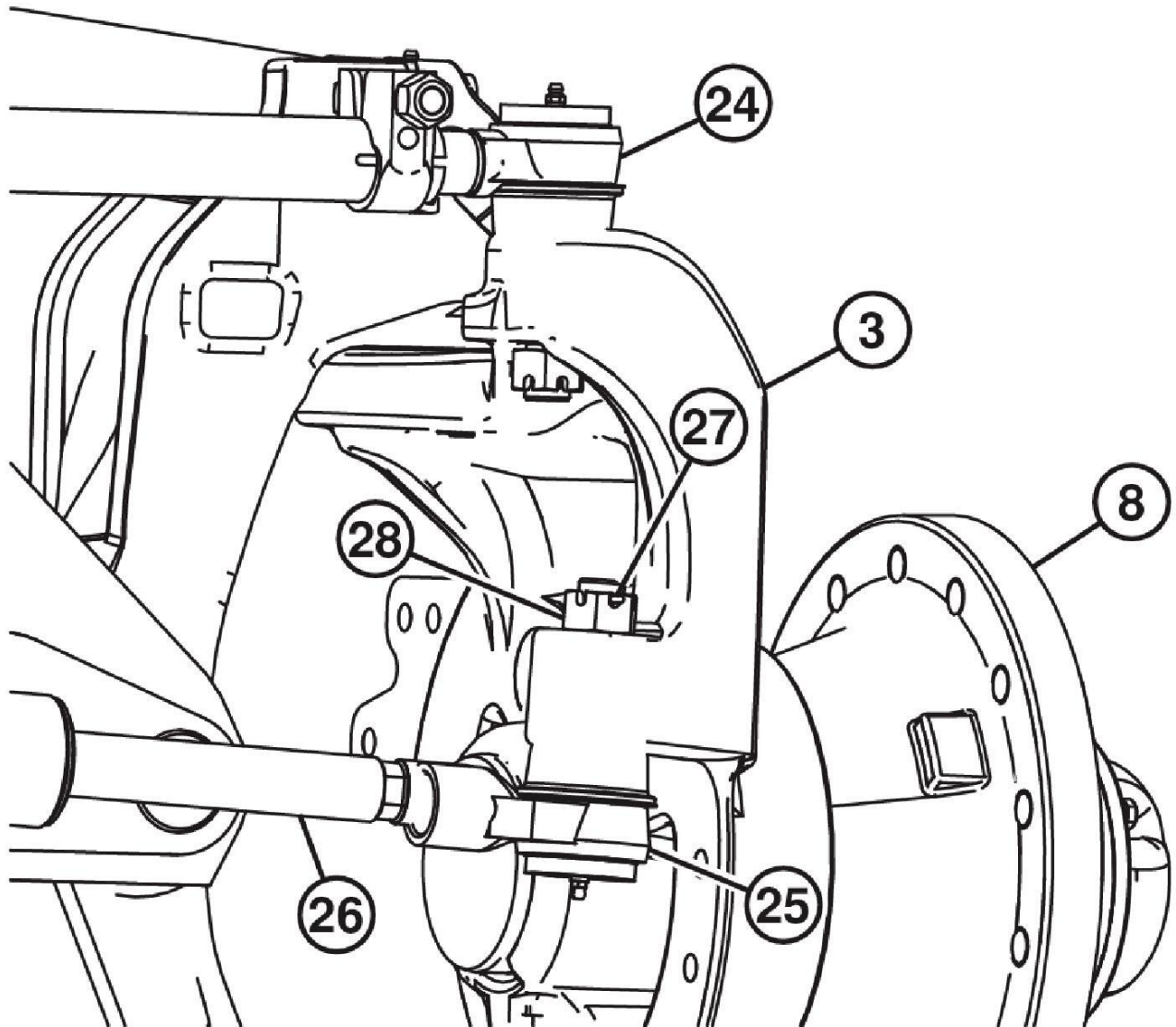
This service manual contains important information for the maintenance, troubleshooting and servicing of the **John Deere 670G, 670GP, 672G, 672GP (SN.F678818-680877) Motor Graders Repair Manual (TM14072X19)**

In this manual you will find detailed specifications, illustrations, schematics, diagrams and step-by-step procedures to properly service and diagnose the machine to the manufacturer's standards.

Contents:

- General Information
- Specifications
- Serial Number Location
- Engine Specifications
- Engine Diagnostics
- Engine Tests and Adjustments
- Engine Repair
- Power Train
- Transmission
- Axles
- Differential
- PTO
- Hydraulic System
- Electrical System
- Electrical Tests and Diagnostics
- Wiring Diagram / Schematic
- Ignition and Charging
- Steering
- Brakes
- Wheels
- Operator's Platform
- Body Panels
- Disassembly and Assembly
- Diagnostics, Tests and Adjustments
- Troubleshooting
- and much more...

Please note this manual is in **downloadable PDF format only**. If you have any questions about this product or would like to request sample pages, please contact us and reference the product name or SKU.



TX1057434

6.

TX1057434-UN: Front Tie Rod Ends

LEGEND:

3-Yoke

8-Wheel Hub

24-Upper Tie Rod End

25-Steering Cylinder Tie Rod End

26-Steering Cylinder Rod

27-Cotter Pin (2 used)

28-Nut (2 used)

Remove cotter pin (27) and nut (28) from front axle upper tie rod end (24) and steering cylinder tie rod end (25).

7. Remove front axle upper tie rod end and steering cylinder tie rod end.



Thank you very much
for your reading.
Please click here
to get more information.