

John Deere 670G, 670GP, 672G, 672GP (SN.F680878-, L700954-) Motor Graders Repair Manual (TM14243X19)

V451G, V451M, V461M
Round Baler Repair



JOHN HARE



COLLECTION

REPAIR TECHNICAL MANUAL
V451G, V451M, V461M Round Baler

TM302219 01DEC18 (ENGLISH)



John Deere Arc-les-Gray

Covers: 670G,670GP,1DW670G_,_F680878;1DW670G_,_L700954

Type: Service Manual

Language: English

Pages: 443

Format: PDF

Features: Bookmarked, searchable, printable

Compatibility: Windows/Mac/Tablet/Mobile

This service manual contains important information for the maintenance, troubleshooting and servicing of the **John Deere 670G, 670GP, 672G, 672GP (SN.F680878-, L700954-) Motor Graders Repair Manual (TM14243X19)**

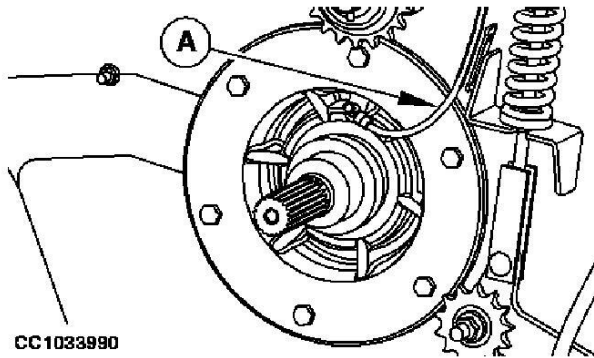
In this manual you will find detailed specifications, illustrations, schematics, diagrams and step-by-step procedures to properly service and diagnose the machine to the manufacturer's standards.

Contents:

- General Information
- Specifications
- Serial Number Location
- Engine Specifications
- Engine Diagnostics
- Engine Tests and Adjustments
- Engine Repair
- Power Train
- Transmission
- Axles
- Differential
- PTO
- Hydraulic System
- Electrical System
- Electrical Tests and Diagnostics
- Wiring Diagram / Schematic
- Ignition and Charging
- Steering
- Brakes
- Wheels
- Operator's Platform
- Body Panels
- Disassembly and Assembly
- Diagnostics, Tests and Adjustments
- Troubleshooting
- and much more...

Please note this manual is in **downloadable PDF format only**. If you have any questions about this product or would like to request sample pages, please contact us and reference the product name or SKU.

Remove Rotary Feeder Bearing Housing Assembly



CC1033990

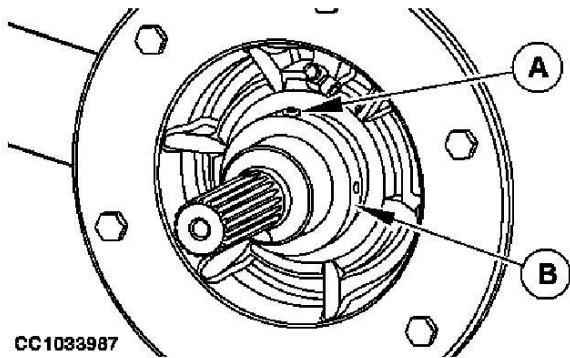
1. CC1033990-UN: Grease Hose

LEGEND:

A-Grease Hose

Lower the drop floor.

2. Remove the relevant pickup arm, see [Remove Pickup Arm and its Bearing](#) in Section 100A.
3. Disconnect grease hose (A).



CC1033987

4. CC1033987-UN: Eccentric

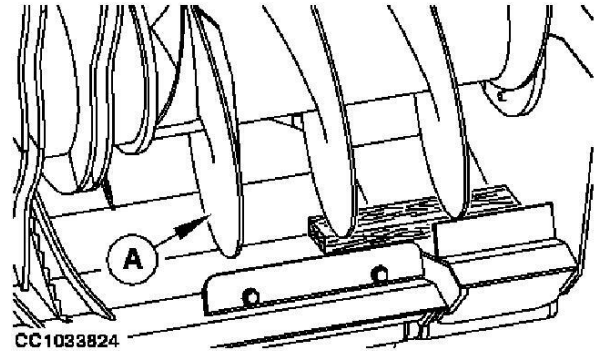
LEGEND:

A-Screw

B-Eccentric

Loosen screw (A).

5. Loosen eccentric (B) by turning it against the direction of rotation of the rotary feeder.
6. Remove eccentric (B).



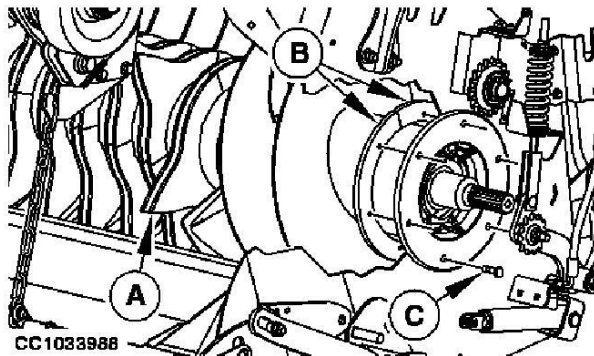
CC1033824

7. CC1033824-UN: Wedge Rotary Feeder

LEGEND:

A-Rotary Feeder

Wedge rotary feeder (A) with a solid block as shown.



CC1033988

8. CC1033988-UN: Half Ring

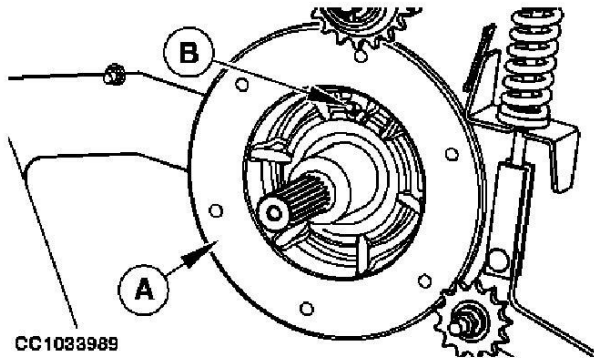
LEGEND:

A-Rotary Feeder

B-Half Ring

C-Screw

Remove screws (C) and half rings (B).



CC1033989

9. CC1033989-UN: Bearing Housing Assembly

LEGEND:

A-Bearing Housing Assembly

B-Grease Fitting

Remove bearing housing assembly (A).

AP00976,00001DB-19-20110530



Thank you very much
for your reading.
Please click here
to get more information.