

# John Deere 710L (SN. from F294268) Backhoe Loader Service Repair Technical Manual (TM14052X19)

310K Backhoe Loader  
Diagnostic

**OPERATION AND TEST MANUAL**



**Backhoe Loaders (T3/S3A) models 310K (PIN:1T0310KX\*\*D219707-;  
1T0310KX\*\*C219607-)**

TM12447 11 JAN 16 (ENGLISH)

For complete service information also see:

310K Backhoe Loader Repair	TM12448
JDLink (MTG) Technical Manual	TM114519
PowerTech E 4.5 and 6.8L Diesel Engines Level 16 Electronic Fuel System With Denso HPCR	CTM502
PowerTech 4.5L and 6.8L Diesel Engines Level 12 Electronic Fuel System With Standard Fuel System	CTM502
PowerTech 4045, 6000, 6000L Diesel Engines with the Denso HPCR ECU	CTM502
Super Caddy Oil Cleanup Product	CTM310
120 Series Hydraulic Cylinders	CTM120519
120 Series Hydraulic Cylinders	CTM114319
125 Series Hydraulic Cylinders	CTM109319
PowerTech 4.5L & 6.8L Diesel Engines Tier 1/Stage I, Tier 2/Stage II, Tier 3/Stage IIIA, Tier 3/Stage IIA Tier 3/Stage III, (Base Engine)	CTM104
100 Series Hydraulic Cylinders	CTM103519
COOLANT HEATER SERVICE MANUAL	CTM10090X19

John Deere Construction and Forestry  
Printed by Belgreen



Covers: 710L,1T0710LX\_,\_F294268(???)

**Type:** Service Manual

**Language:** English

**Pages:** 469

**Format:** PDF

**Features:** Bookmarked, searchable, printable

**Compatibility:** Windows/Mac/Tablet/Mobile

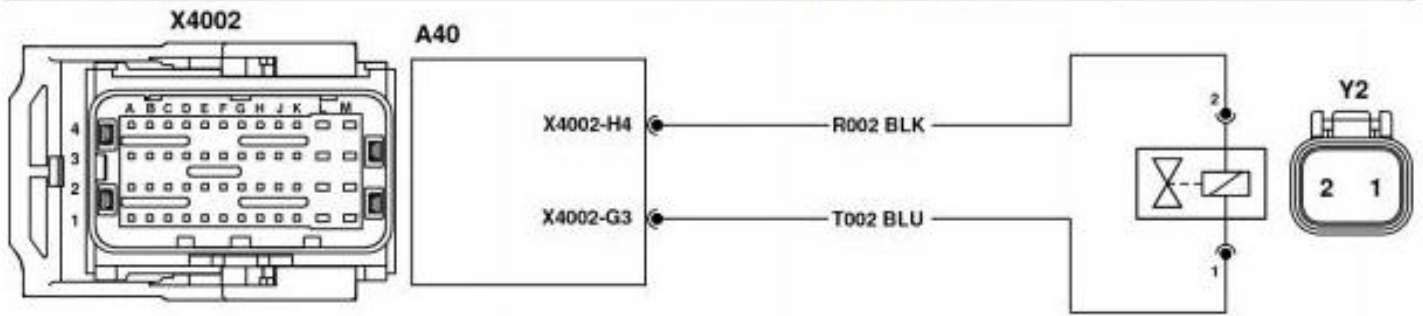
This service manual contains important information for the maintenance, troubleshooting and servicing of the **John Deere 710L (SN. from F294268) Backhoe Loader Service Repair Technical Manual (TM14052X19)**

In this manual you will find detailed specifications, illustrations, schematics, diagrams and step-by-step procedures to properly service and diagnose the machine to the manufacturer's standards.

**Contents:**

- General Information
- Specifications
- Serial Number Location
- Engine Specifications
- Engine Diagnostics
- Engine Tests and Adjustments
- Engine Repair
- Power Train
- Transmission
- Axles
- Differential
- PTO
- Hydraulic System
- Electrical System
- Electrical Tests and Diagnostics
- Wiring Diagram / Schematic
- Ignition and Charging
- Steering
- Brakes
- Wheels
- Operator's Platform
- Body Panels
- Disassembly and Assembly
- Diagnostics, Tests and Adjustments
- Troubleshooting
- and much more...

Please note this manual is in **downloadable PDF format only**. If you have any questions about this product or would like to request sample pages, please contact us and reference the product name or SKU.



TX1176977

**Hydrostatic Pump Solenoid (Y2) Forward Circuit Schematic****LEGEND:**

A40	Transmission Control Unit (TCU)
X4002	Transmission Control Unit (TCU) Connector 2
X4002—G3	Supply
X4002—H4	Return
Y2	Hydrostatic Pump Solenoid

**Alarm Level:**

- Service Required Indicator

**Machine Response:**

- None

**Circuit Information:**

- [See Transmission Control Unit \(TCU\) Circuit Theory of Operation.](#) (Group 9015-05.)

**Component Location:**

- [See Engine Frame Harness \(W1\) Component Location.](#) (Group 9015-10.)

**Diagnostic Test Box Information:**

- Not Applicable

**Additional References:**

- [Intermittent DTCs: See Intermittent Diagnostic Trouble Code \(DTC\) Disposition.](#) (Group 9015-10.)



Thank you very much  
for your reading.  
Please click here  
to get more information.