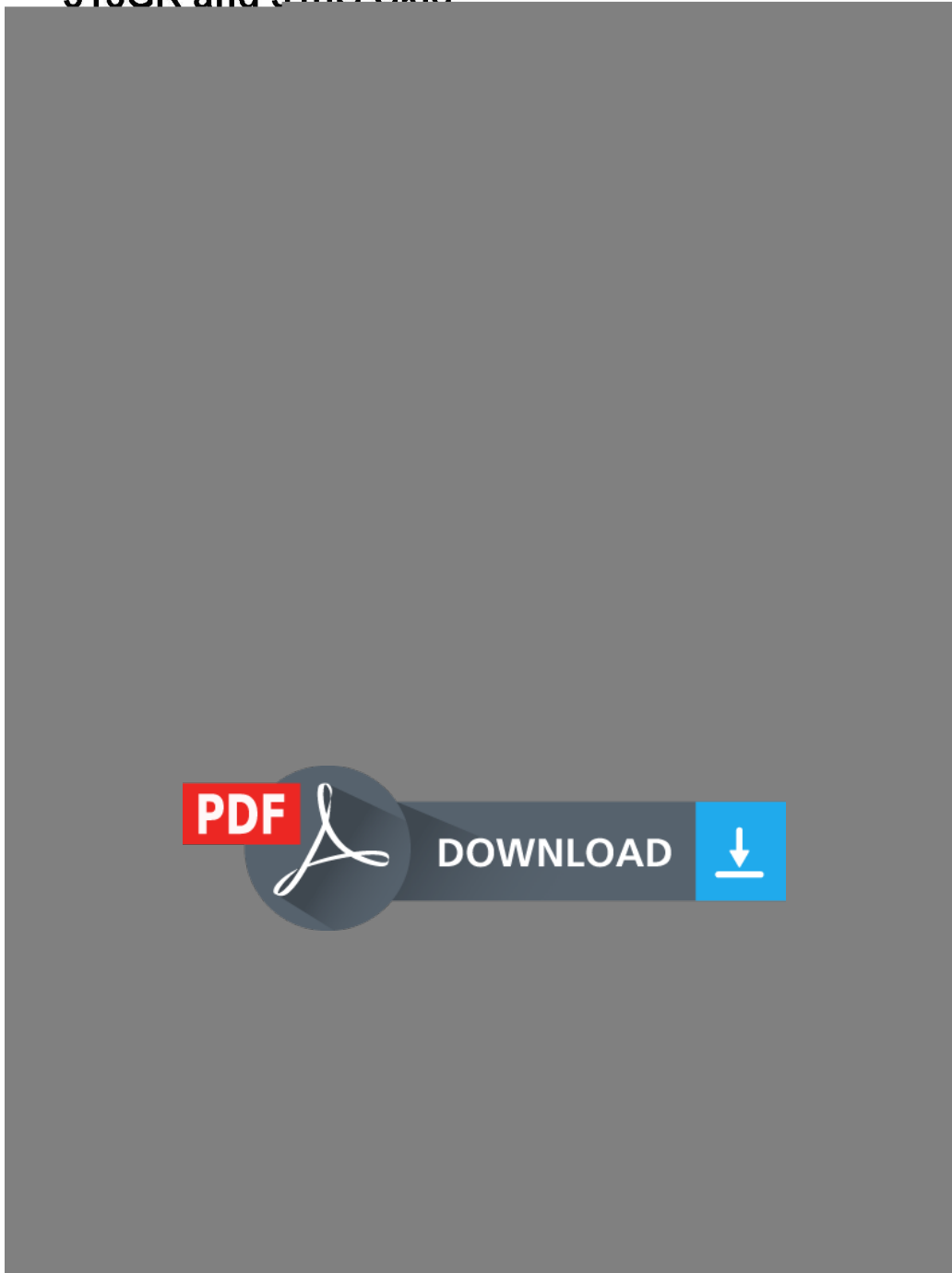


John Deere 7200, 7300, 7400, 7500, 7700, 7800 Self-Propelled Forage Harvester Repair Manual (TM4668)

316GR and 318G Skid



Covers: 7200,7300,7400,7500,7700,7800

Type: Service Manual

Language: English

Pages: 2008

Format: PDF

Features: Bookmarked, searchable, printable

Compatibility: Windows/Mac/Tablet/Mobile

This service manual contains important information for the maintenance, troubleshooting and servicing of the **John Deere 7200, 7300, 7400, 7500, 7700, 7800 Self-Propelled Forage Harvester Repair Manual (TM4668)**

In this manual you will find detailed specifications, illustrations, schematics, diagrams and step-by-step procedures to properly service and diagnose the machine to the manufacturer's standards.

Contents:

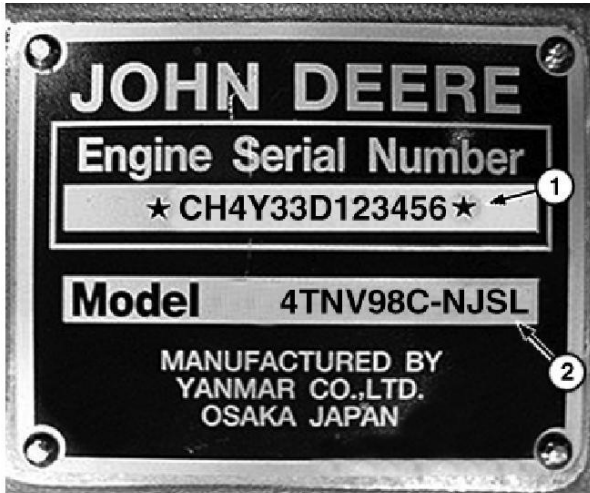
- General Information
- Specifications
- Serial Number Location
- Engine Specifications
- Engine Diagnostics
- Engine Tests and Adjustments
- Engine Repair
- Power Train
- Transmission
- Axles
- Differential
- PTO
- Hydraulic System
- Electrical System
- Electrical Tests and Diagnostics
- Wiring Diagram / Schematic
- Ignition and Charging
- Steering
- Brakes
- Wheels
- Operator's Platform
- Body Panels
- Disassembly and Assembly
- Diagnostics, Tests and Adjustments
- Troubleshooting
- and much more...

Please note this manual is in **downloadable PDF format only**. If you have any questions about this product or would like to request sample pages, please contact us and reference the product name or SKU.

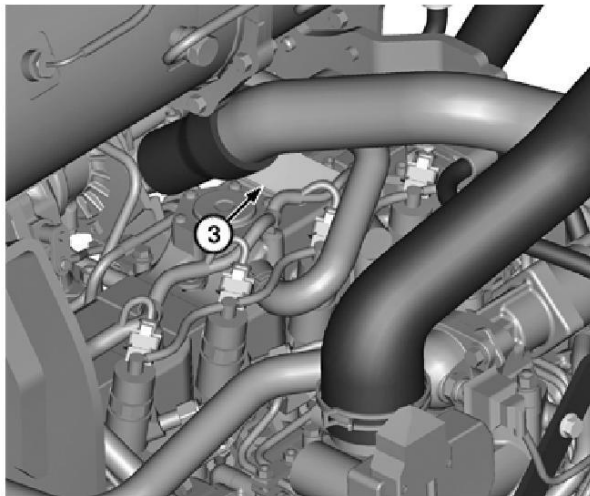
Engine Identification

This machine has two engine options available: 4TNV86CHT or 4TNV86HT. Use the following information to identify engine model.

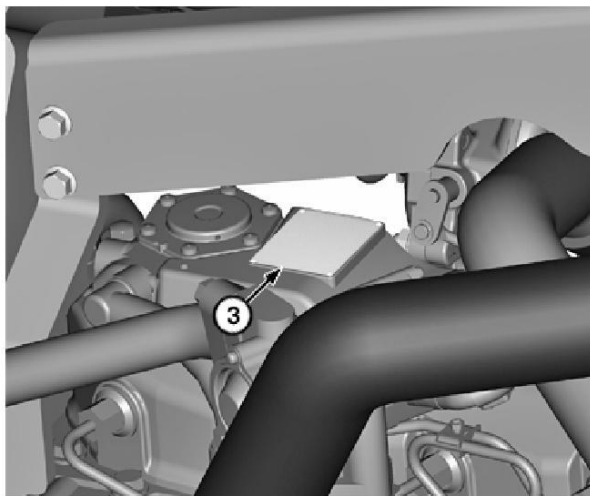
Engine Serial and Model Number Identification



TX1142169A-UN: Example of Engine Serial Number Plate



TX1201550A-UN: Engine Serial Number Final Tier 4



TX1201551A-UN: Engine Serial Number Interim Tier 4

LEGEND:

- 1-Engine Serial Number
- 2-Engine Model Number
- 3-Engine Serial Number Tag

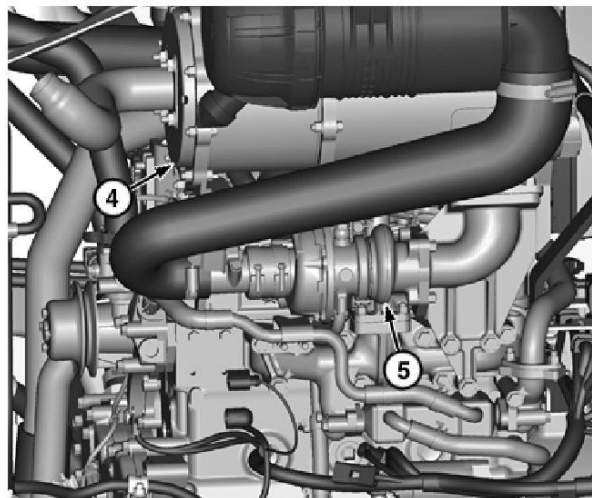
The engine serial number tag (3) is located on top of engine rocker arm cover.

The engine model number (2) can be used to identify the following engine options, based on machine application:

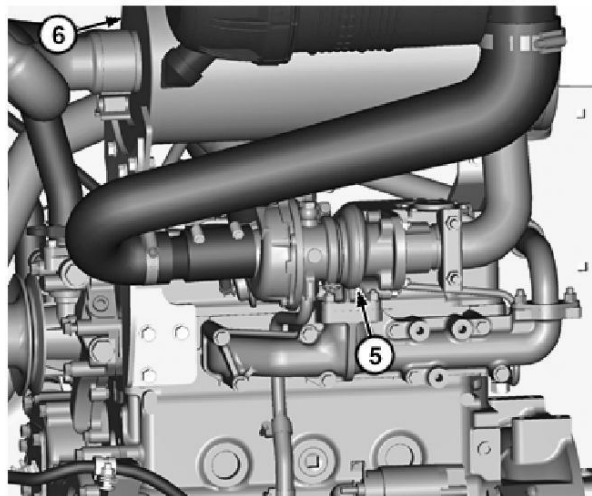
- Turbocharged (T)
- Intercooled (H)
- High-pressure common rail (C)

Engine Model Number	
4TNV86CHT	Final Tier 4 turbocharged engine
4TNV86HT	Interim Tier 4 turbocharged engine

Engine Component Identification



TX1201552A-UN: 4TNV86CHT Engine



TX1201553A-UN: 4TNV86HT Engine

LEGEND:

- 4-Diesel Exhaust Filter
- 5-Turbocharger
- 6-Exhaust Muffler

Machines equipped with a 4TNV86CHT engine, utilize a turbocharger (5) and diesel exhaust filter (4).

Machines equipped with a 4TNV86HT engine, utilize a turbocharger (5) and exhaust muffler (6).

NM95233,0000601-19-20151020



Thank you very much
for your reading.
Please click here
to get more information.