

# John Deere 7210R, 7230R, 7250R, 7270R, 7290R, 7310R Tractors Diagnostic Technical Manual (TM146219)

## 9450, 9550 and 9650 Combines Diagnosis

### DIAGNOSIS AND TESTS MANUAL

Combines models 9450, 9550, 9650 (S.N: 000000-695100)

TM1802 04 AUG 15 (ENGLISH)

For complete service information also see:

9450, 9550, 9650 Combines Repair	TM1801
PowerTech 8.1 L Diesel Engines Base Engine	CTM86
Alternators and Starting Motors	CTM77
OEM Engine Accessories	CTM67
Cam Lobe Motors	CTM19
PowerTech 6.8L and 8.1L 6000 Diesel Engines (Systems with Bosch) (Tier 1/Stage I, Tier 2/Stage II, Tier 3/Stage IIA Tier 3/Stage IIB Engine)	CTM134



DOWNLOAD



John Deere Agriculture

Covers: 094000(???)?);,7210R,7230R,7250R,7270R,7290R,7310R

**Type:** Service Manual

**Language:** English

**Pages:** 6820

**Format:** PDF

**Features:** Bookmarked, searchable, printable

**Compatibility:** Windows/Mac/Tablet/Mobile

This service manual contains important information for the maintenance, troubleshooting and servicing of the **John Deere 7210R, 7230R, 7250R, 7270R, 7290R, 7310R Tractors Diagnostic Technical Manual (TM146219)**

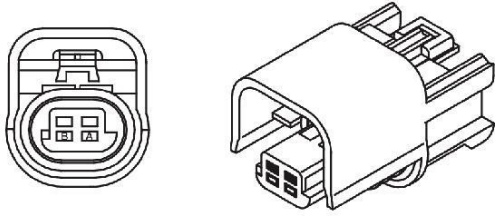
In this manual you will find detailed specifications, illustrations, schematics, diagrams and step-by-step procedures to properly service and diagnose the machine to the manufacturer's standards.

**Contents:**

- General Information
- Specifications
- Serial Number Location
- Engine Specifications
- Engine Diagnostics
- Engine Tests and Adjustments
- Engine Repair
- Power Train
- Transmission
- Axles
- Differential
- PTO
- Hydraulic System
- Electrical System
- Electrical Tests and Diagnostics
- Wiring Diagram / Schematic
- Ignition and Charging
- Steering
- Brakes
- Wheels
- Operator's Platform
- Body Panels
- Disassembly and Assembly
- Diagnostics, Tests and Adjustments
- Troubleshooting
- and much more...

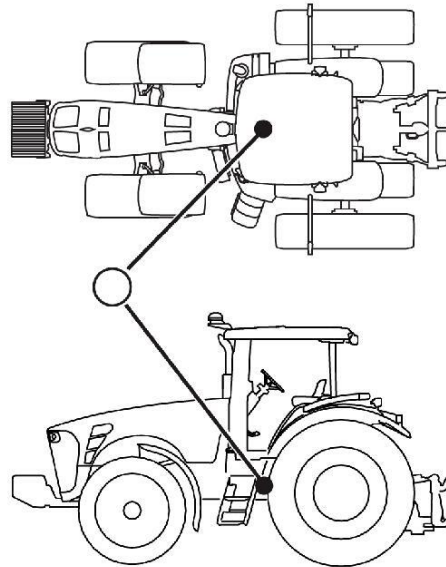
Please note this manual is in **downloadable PDF format only**. If you have any questions about this product or would like to request sample pages, please contact us and reference the product name or SKU.

# Y670 Park Sump Block Solenoid

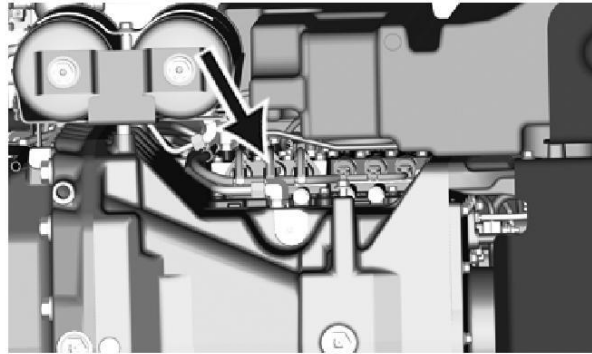


RXA0085528-UN: 2-way (15490464)

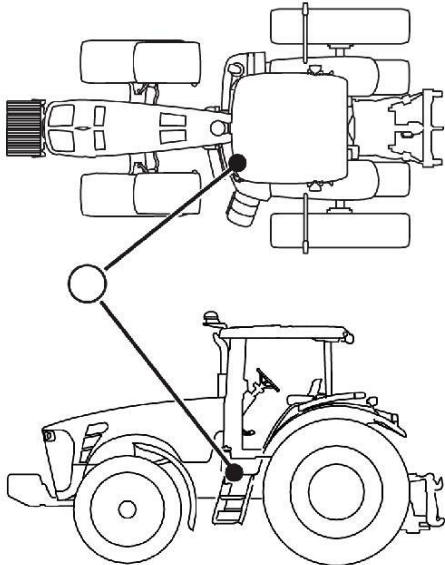
Component Information		
<b>Harness Information</b>	<a href="#">W330 CommandQuad™ Transmission Harness</a>	
	<a href="#">W331 AutoPowr™/IVT™ Transmission Harness</a>	
	<a href="#">W332 e23™ Transmission Harness</a>	
<b>Schematic Information</b>	<a href="#">SE10—Rear Chassis Control Unit Schematic</a>	
<b>Address Information</b>	<a href="#">PTP 174—Park Sump Block Solenoid Current</a>	
<b>Terminal</b>	<b>Circuit Number</b>	<b>Wire Color</b>
A	6523	Orange
B	0080	Black



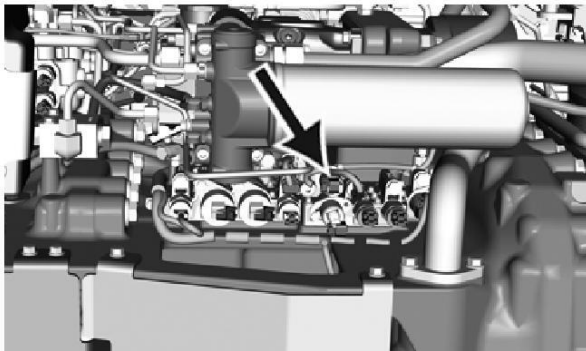
RXA0081681-UN: Park Sump Block Solenoid Location (CommandQuad™)



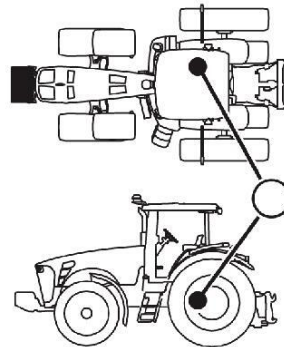
RXA0129453-UN: Y670 (CommandQuad™)



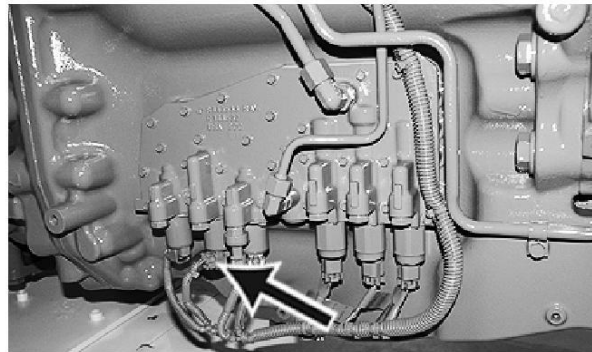
RXA0081689-UN: Park Sump Block Solenoid Location (AutoPowr™/IVT™)



RXA0129452-UN: Y670 (AutoPowr™/IVT™)



RXA0129204-UN: Y670 Overview for (e23™)



RXA0129203-UN: Y670 (e23™)

RX33672,000C6D5-19-20161010



Thank you very much  
for your reading.  
Please click here  
to get more information.