

John Deere 7220, 7320, 7420, 7420 Hi-Crop, 7520 2-Wheel Drive Tractors Service Repair Manual (TM2070)

750K and 850K Crawler Dozer Diagnostic

OPERATION AND TEST MANUAL

1T0750KX_F271593- models 850K

TM13280X19 04 MAR 16 (ENGLISH)

For complete service information also see:

750K and 850K Crawler Dozer Repair	TM13282X19
JDLINK (MTG) Technical Manual	TM114519
120 Series Hydraulic Cylinders	CTM120519
PowerTech 6068 OEM Diesel Engines (Final Tier 4/Stage IV platform) Level 33 ECU	CTM120019



John Deere Construction and Forestry

Covers: 7220,7320,7420,7420,7520

Type: Service Manual

Language: English

Pages: 2476

Format: PDF

Features: Bookmarked, searchable, printable

Compatibility: Windows/Mac/Tablet/Mobile

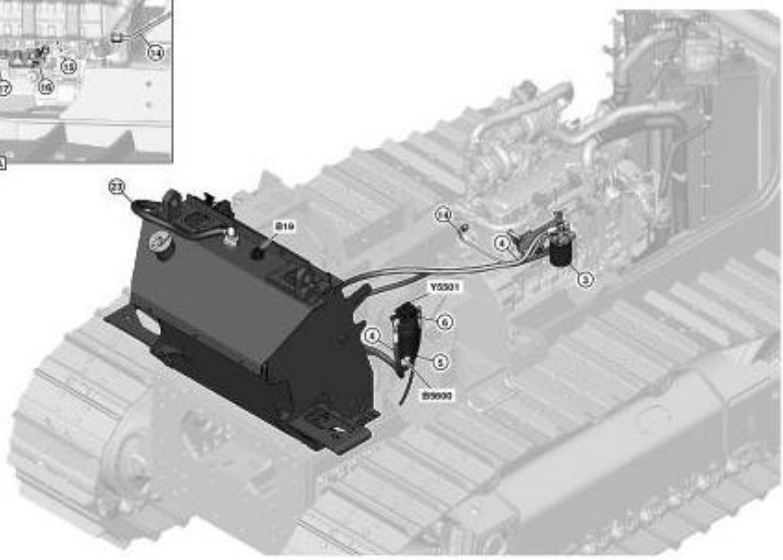
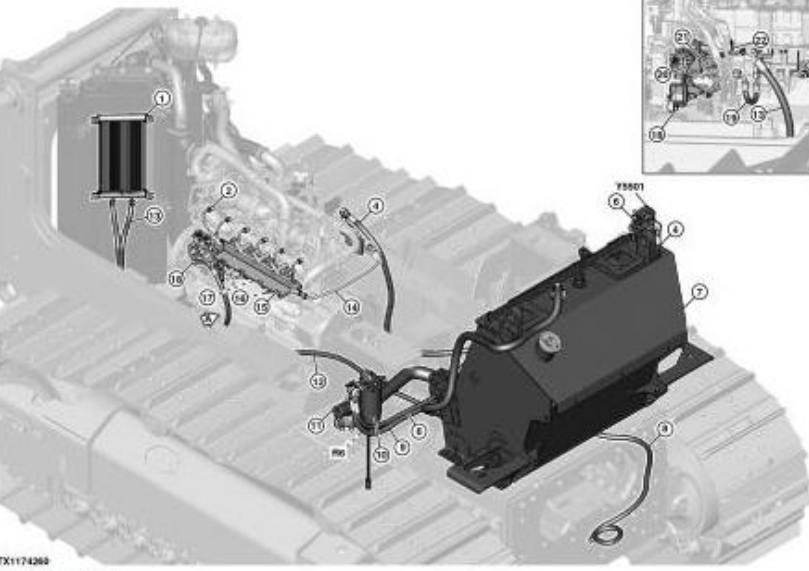
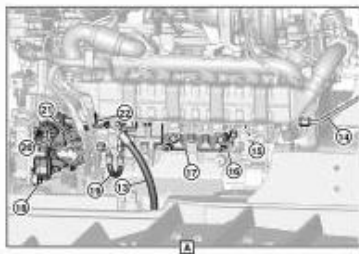
This service manual contains important information for the maintenance, troubleshooting and servicing of the **John Deere 7220, 7320, 7420, 7420 HI-Crop, 7520 2-Wheel Drive Tractors Service Repair Manual (TM2070)**

In this manual you will find detailed specifications, illustrations, schematics, diagrams and step-by-step procedures to properly service and diagnose the machine to the manufacturer's standards.

Contents:

- General Information
- Specifications
- Serial Number Location
- Engine Specifications
- Engine Diagnostics
- Engine Tests and Adjustments
- Engine Repair
- Power Train
- Transmission
- Axles
- Differential
- PTO
- Hydraulic System
- Electrical System
- Electrical Tests and Diagnostics
- Wiring Diagram / Schematic
- Ignition and Charging
- Steering
- Brakes
- Wheels
- Operator's Platform
- Body Panels
- Disassembly and Assembly
- Diagnostics, Tests and Adjustments
- Troubleshooting
- and much more...

Please note this manual is in **downloadable PDF format only**. If you have any questions about this product or would like to request sample pages, please contact us and reference the product name or SKU.





Thank you very much
for your reading.
Please click here
to get more information.