

John Deere 724K 4WD Loader (SN. C642718-658064; D642722-658064) Diagnostic Service Manual (TM12110)

724K 4WD Loaders with
Engines 6090HDW03,
6090HDW09 Diagnostic



OPERATION AND TEST MANUAL

4WD Loaders models 724K (PIN: 1DW724KZ**C642718-658064;
1DW724KZ**D642722-658064)

TM12110 16 FEB 16 (ENGLISH)

For complete service information also see:

| | |
|---|-------------|
| 724K 4WD Loader Repair | TM12112 |
| JDLINK (MTG) Technical Manual | TM114519 |
| Alternators and Starting Motors | CTM77 |
| TM1V1200 - 1400 | CTM442 |
| PowerTech 9.0L O Certified Base Eng | |
| PowerTech 6090 Diesel Engi High Pressure Common Rail (| |
| 120 Series Hydraulic Cylinders | CTM120519 |
| 185 Series Hydraulic Cylinders | CTM114919 |
| 120 Series Hydraulic Cylinders | CTM114319 |
| 125 Series Hydraulic Cylinders | CTM109319 |
| COOLANT HEATER SERVICE MANUAL | CTM10090X19 |

PDF



DOWNLOAD



John Deere Construction and Forestry
Printed by Belgreen



TM12110

Covers: 724K,1DW724KZ**C642718-658064;;1DW724KZ**D642722-658064

Type: Service Manual

Language: English

Pages: 1457

Format: PDF

Features: Bookmarked, searchable, printable

Compatibility: Windows/Mac/Tablet/Mobile

This service manual contains important information for the maintenance, troubleshooting and servicing of the **John Deere 724K 4WD Loader (SN. C642718-658064; D642722-658064) Diagnostic Service Manual (TM12110)**

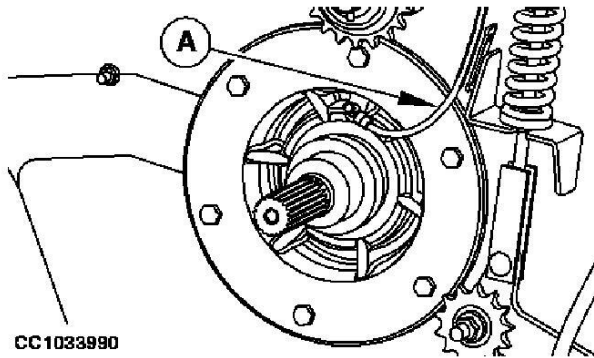
In this manual you will find detailed specifications, illustrations, schematics, diagrams and step-by-step procedures to properly service and diagnose the machine to the manufacturer's standards.

Contents:

- General Information
- Specifications
- Serial Number Location
- Engine Specifications
- Engine Diagnostics
- Engine Tests and Adjustments
- Engine Repair
- Power Train
- Transmission
- Axles
- Differential
- PTO
- Hydraulic System
- Electrical System
- Electrical Tests and Diagnostics
- Wiring Diagram / Schematic
- Ignition and Charging
- Steering
- Brakes
- Wheels
- Operator's Platform
- Body Panels
- Disassembly and Assembly
- Diagnostics, Tests and Adjustments
- Troubleshooting
- and much more...

Please note this manual is in **downloadable PDF format only**. If you have any questions about this product or would like to request sample pages, please contact us and reference the product name or SKU.

Remove Rotary Feeder Bearing Housing Assembly



CC1033990

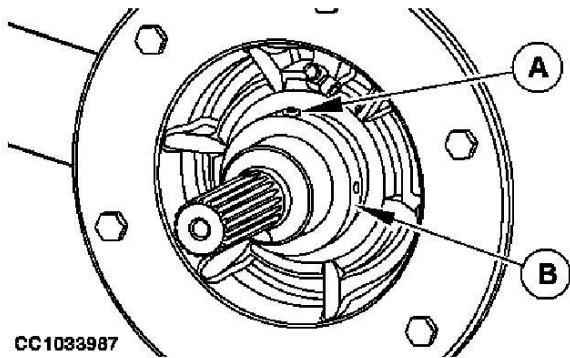
1. CC1033990-UN: Grease Hose

LEGEND:

A-Grease Hose

Lower the drop floor.

2. Remove the relevant pickup arm, see [Remove Pickup Arm and its Bearing](#) in Section 100A.
3. Disconnect grease hose (A).



CC1033987

4. CC1033987-UN: Eccentric

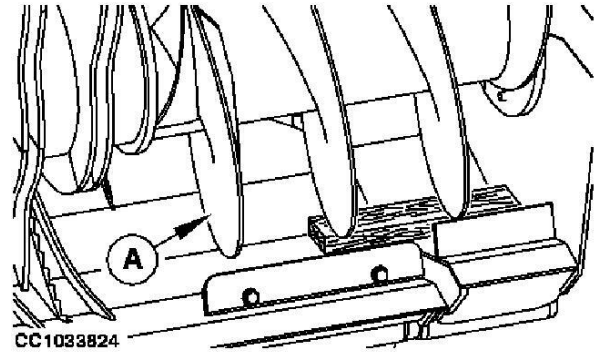
LEGEND:

A-Screw

B-Eccentric

Loosen screw (A).

5. Loosen eccentric (B) by turning it against the direction of rotation of the rotary feeder.
6. Remove eccentric (B).



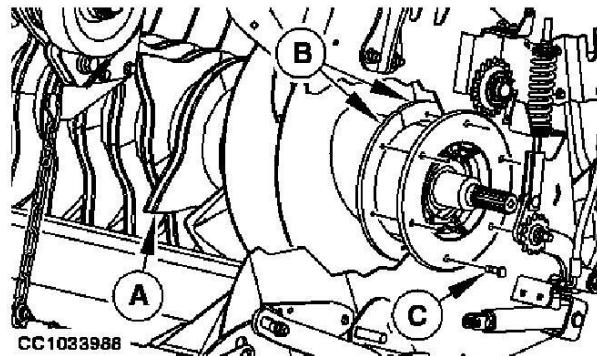
CC1033824

7. CC1033824-UN: Wedge Rotary Feeder

LEGEND:

A-Rotary Feeder

Wedge rotary feeder (A) with a solid block as shown.



CC1033988

8. CC1033988-UN: Half Ring

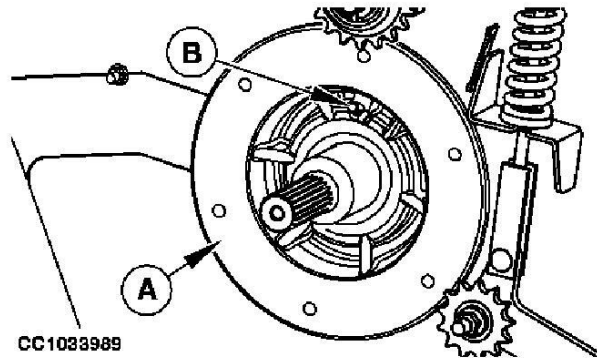
LEGEND:

A-Rotary Feeder

B-Half Ring

C-Screw

Remove screws (C) and half rings (B).



CC1033989

9. CC1033989-UN: Bearing Housing Assembly

LEGEND:

A-Bearing Housing Assembly

B-Grease Fitting

Remove bearing housing assembly (A).

AP00976,00001DB-19-20110530



Thank you very much
for your reading.
Please click here
to get more information.