

John Deere 724K 4WD Loader (SN.from F658297) Diagnostic, Operation & Test Service Manual (TM13054X19)

620G, 620GP, 622G, 622GP Motor Graders Repair

(PIN: 1DW620G___F680878—;
PIN: 1DW622G___F680878—;
PIN: 1DW620G___L700954—;
PIN: 1DW622G___L700954—)



JOHN HARE

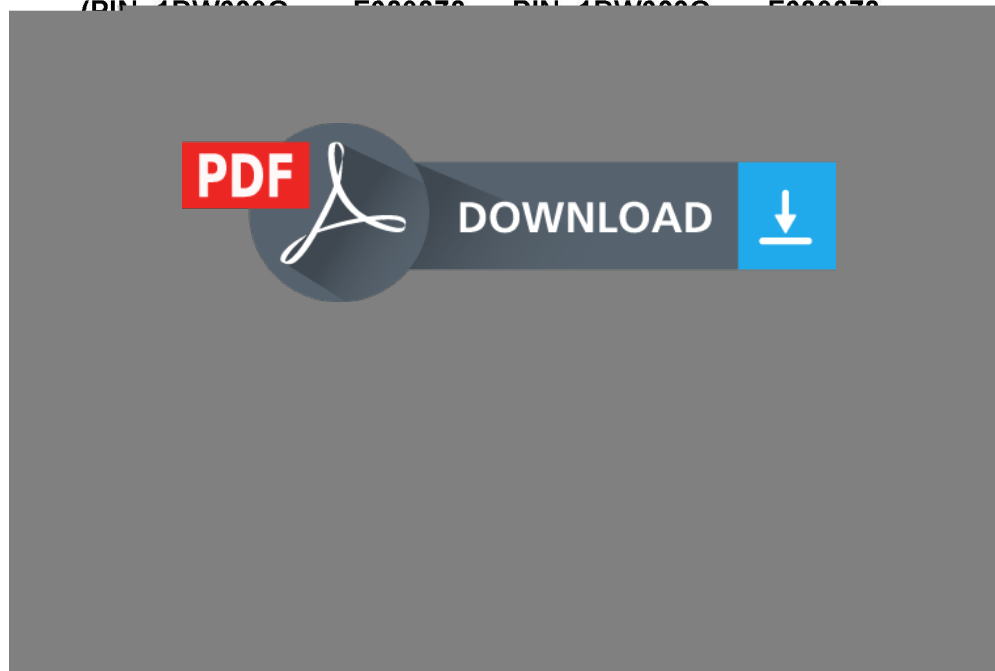


COLLECTION

REPAIR MANUAL

620G, 620GP, 622G, 622GP Motor Graders

(PIN: 1DW620G___F680878—; PIN: 1DW622G___F680878—)



Covers: 724K,1DW724K***F658297-)

Type: Service Manual

Language: English

Pages: 1508

Format: PDF

Features: Bookmarked, searchable, printable

Compatibility: Windows/Mac/Tablet/Mobile

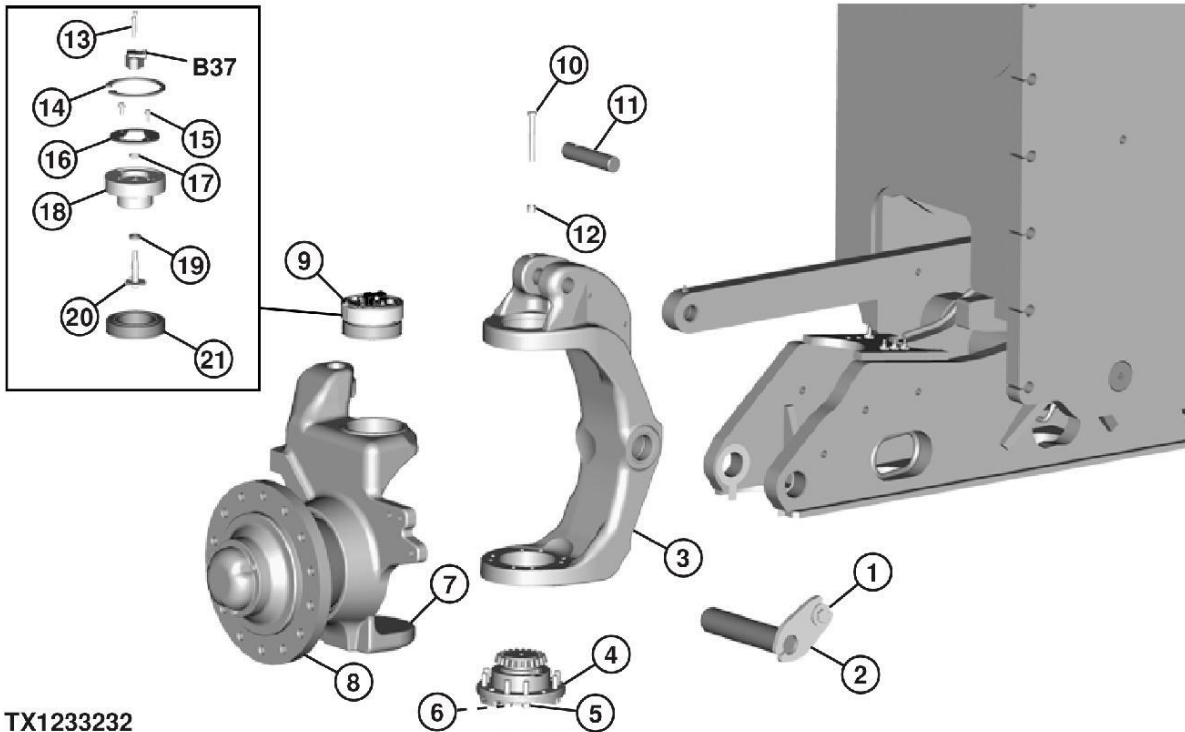
This service manual contains important information for the maintenance, troubleshooting and servicing of the **John Deere 724K 4WD Loader (SN.from F658297) Diagnostic, Operation & Test Service Manual (TM13054X19)**

In this manual you will find detailed specifications, illustrations, schematics, diagrams and step-by-step procedures to properly service and diagnose the machine to the manufacturer's standards.

Contents:

- General Information
- Specifications
- Serial Number Location
- Engine Specifications
- Engine Diagnostics
- Engine Tests and Adjustments
- Engine Repair
- Power Train
- Transmission
- Axles
- Differential
- PTO
- Hydraulic System
- Electrical System
- Electrical Tests and Diagnostics
- Wiring Diagram / Schematic
- Ignition and Charging
- Steering
- Brakes
- Wheels
- Operator's Platform
- Body Panels
- Disassembly and Assembly
- Diagnostics, Tests and Adjustments
- Troubleshooting
- and much more...

Please note this manual is in **downloadable PDF format only**. If you have any questions about this product or would like to request sample pages, please contact us and reference the product name or SKU.



8. **TX1233232**

TX1233232-UN: Wheel Hub, Spindle, and Yoke—Non Six-Wheel Drive (6WD [right side shown])

LEGEND:

1-Yoke Pin Cap Screw

2-Yoke Pin

3-Yoke

12-Lean Bar Linkage Retainer

13-Steering Angle Sensor Cap Screw (2 used)

14-Snap Ring



Thank you very much
for your reading.
Please click here
to get more information.