

John Deere 730LL, 1830, 1835, 1840, 1870, 1890, 1895, 1990 Air Seeding Tools Technical manual TM2303

9450, 9550 and 9650 Combines Diagnosis

DIAGNOSIS AND TESTS MANUAL

Combines models 9450, 9550, 9650 (S.N: 000000-695100)

TM1802 04 AUG 15 (ENGLISH)

For complete service information also see:

9450, 9550, 9650 Combines Repair	TM1801
PowerTech 8.1 L Diesel Engines Base Engine	CTM86
Alternators and Starting Motors	CTM77
OEM Engine Accessories	CTM67
Cam Lobe Motors	CTM19
PowerTech 6.8L and 8.1L 6000 Diesel Engines (Systems with Bosch) (CTM134)	CTM134
PowerTech 4.5L 6000 Diesel Engines (Tier 1/Stage I, Tier 2/Stage II, Tier 3/Stage IIA Tier 3/Stage IIB) (CTM134)	CTM134



DOWNLOAD



John Deere Agriculture

Covers: 730LL,1830,1835,1840,1870,1890,1895,1990

Type: Service Manual

Language: English

Pages: 608

Format: PDF

Features: Bookmarked, searchable, printable

Compatibility: Windows/Mac/Tablet/Mobile

This service manual contains important information for the maintenance, troubleshooting and servicing of the **John Deere 730LL, 1830, 1835, 1840, 1870, 1890, 1895, 1990 Air Seeding Tools Technical manual TM2303**

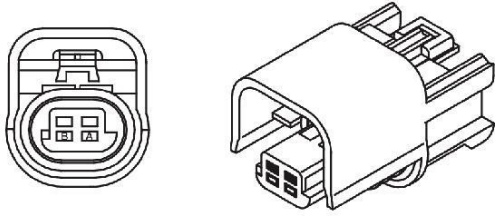
In this manual you will find detailed specifications, illustrations, schematics, diagrams and step-by-step procedures to properly service and diagnose the machine to the manufacturer's standards.

Contents:

- General Information
- Specifications
- Serial Number Location
- Engine Specifications
- Engine Diagnostics
- Engine Tests and Adjustments
- Engine Repair
- Power Train
- Transmission
- Axles
- Differential
- PTO
- Hydraulic System
- Electrical System
- Electrical Tests and Diagnostics
- Wiring Diagram / Schematic
- Ignition and Charging
- Steering
- Brakes
- Wheels
- Operator's Platform
- Body Panels
- Disassembly and Assembly
- Diagnostics, Tests and Adjustments
- Troubleshooting
- and much more...

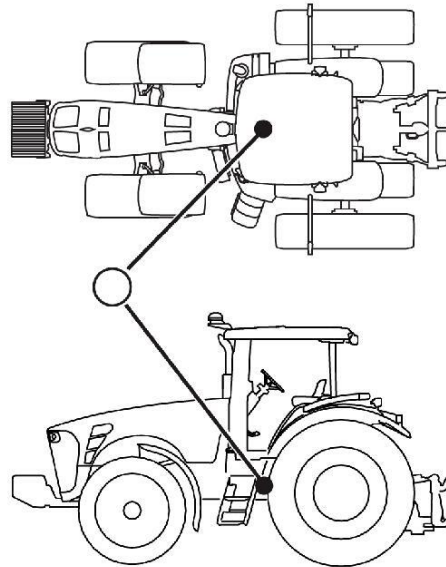
Please note this manual is in **downloadable PDF format only**. If you have any questions about this product or would like to request sample pages, please contact us and reference the product name or SKU.

Y670 Park Sump Block Solenoid

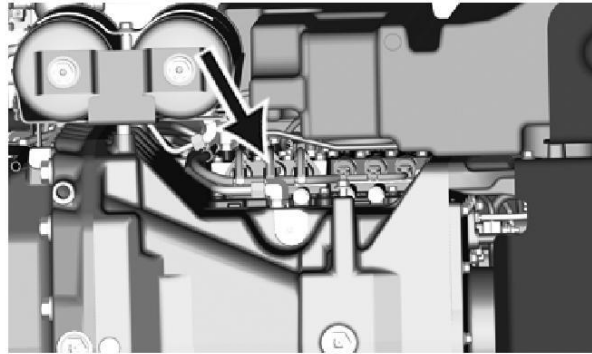


RXA0085528-UN: 2-way (15490464)

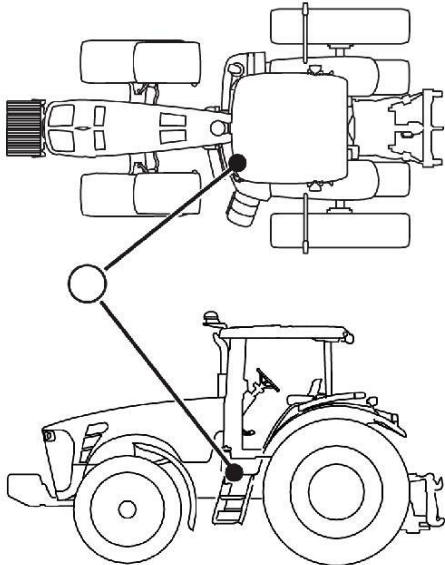
Component Information		
Harness Information	W330 CommandQuad™ Transmission Harness	
	W331 AutoPowr™/IVT™ Transmission Harness	
	W332 e23™ Transmission Harness	
Schematic Information	SE10—Rear Chassis Control Unit Schematic	
Address Information	PTP 174—Park Sump Block Solenoid Current	
Terminal	Circuit Number	Wire Color
A	6523	Orange
B	0080	Black



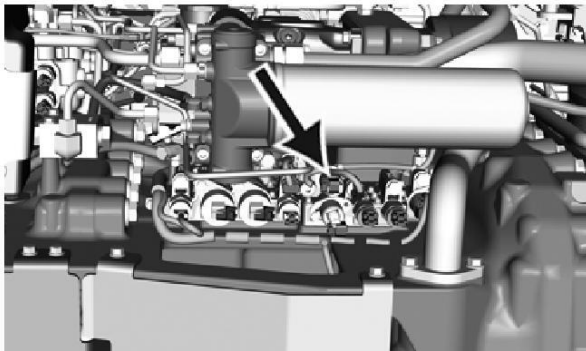
RXA0081681-UN: Park Sump Block Solenoid Location (CommandQuad™)



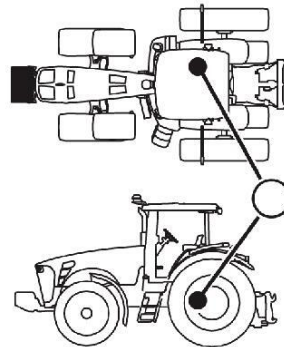
RXA0129453-UN: Y670 (CommandQuad™)



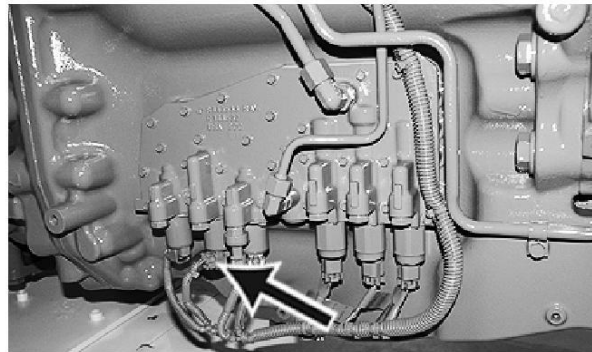
RXA0081689-UN: Park Sump Block Solenoid Location (AutoPowr™/IVT™)



RXA0129452-UN: Y670 (AutoPowr™/IVT™)



RXA0129204-UN: Y670 Overview for (e23™)



RXA0129203-UN: Y670 (e23™)

RX33672,000C6D5-19-20161010



Thank you very much
for your reading.
Please click here
to get more information.