

John Deere 730, 735 Hay and Forage Mower-Conditioner All Inclusive Technical Manual Service (tm3308)

R4030. R4038. R4045



Covers: 730,735

Type: Service Manual

Language: English

Pages: 455

Format: PDF

Features: Bookmarked, searchable, printable

Compatibility: Windows/Mac/Tablet/Mobile

This service manual contains important information for the maintenance, troubleshooting and servicing of the **John Deere 730, 735 Hay and Forage Mower-Conditioner All Inclusive Technical Manual Service (tm3308)**

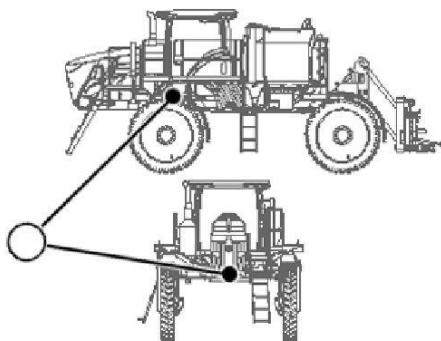
In this manual you will find detailed specifications, illustrations, schematics, diagrams and step-by-step procedures to properly service and diagnose the machine to the manufacturer's standards.

Contents:

- General Information
- Specifications
- Serial Number Location
- Engine Specifications
- Engine Diagnostics
- Engine Tests and Adjustments
- Engine Repair
- Power Train
- Transmission
- Axles
- Differential
- PTO
- Hydraulic System
- Electrical System
- Electrical Tests and Diagnostics
- Wiring Diagram / Schematic
- Ignition and Charging
- Steering
- Brakes
- Wheels
- Operator's Platform
- Body Panels
- Disassembly and Assembly
- Diagnostics, Tests and Adjustments
- Troubleshooting
- and much more...

Please note this manual is in **downloadable PDF format only**. If you have any questions about this product or would like to request sample pages, please contact us and reference the product name or SKU.

V7 — Priority Valve



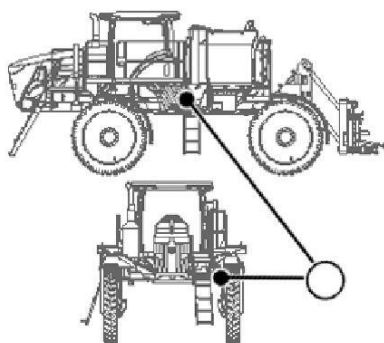
N106092-UN: Location Line Art



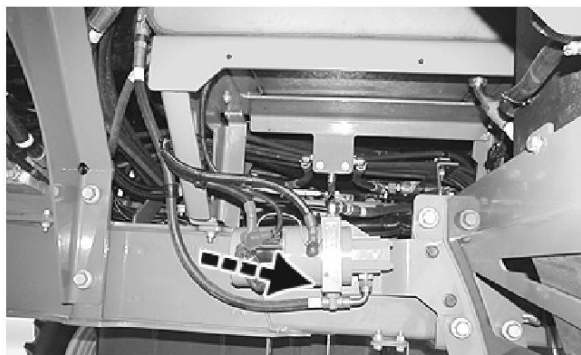
N113622-UN: V7 Priority Valve

OUHX149,0002A23-19-20161130

V8 — Steering Load Sense Shuttle Valve



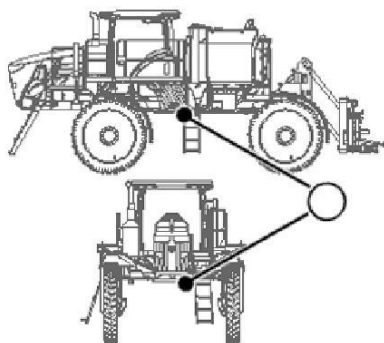
N106400-UN: Location Line Art



N106171-UN: V8 Steering Load Sense Relief Valve

OUHX149,0002A24-19-20161130

V9 — Load Sense Relief Valve



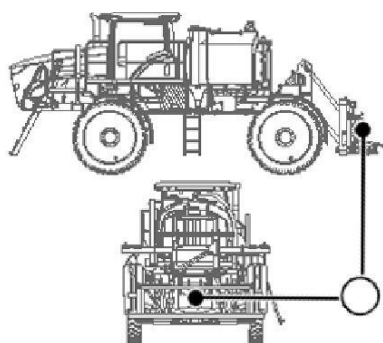
N100632-UN: Location Line Art



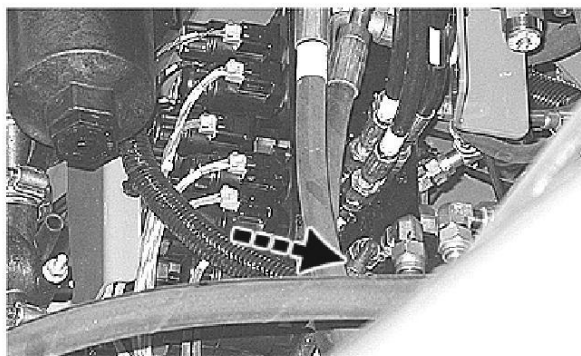
N106371-UN: V9 Load Sense Relief Valve

OUHX149,0002A25-19-20161130

V10 — Right-Hand Fold Relief Valve



N100279-UN: Location Line Art



N106902-UN: V10 Right-Hand Fold Relief Valve

OUHX149,0002A26-19-20161130



Thank you very much
for your reading.
Please click here
to get more information.