



John Deere 744J and 824J 4WD Loaders Diagnostic, Operation and Test Service Manual (TM2083)

744J and 824J Loader
Diagnostic

OPERATION AND TEST MANUAL
4WD Loader models 744J, 824J
TM2083 22 FEB 16 (ENGLISH)

For complete service information also see:

185 Series Hydraulic Cylinders	TM-H185A
744J and 824J Loader Repair	TM2084
JDLINK (MTG) Technical Manual	TM114519
Alternators and Starting Motors	CTM77
TeamMate II 1200 Series Hydraulic Axles	CTM43
Super Caddy Oil Cooler	
PowerTech 10.5 L & 12.5 L Diesel Engines (With Lucas EUIs)	
TeamMate II 1600 Series Inboard Hydraulic Cylinders	CTM120519
120 Series Hydraulic Cylinders	CTM115
PowerTech 10.5L and 12.5L, 6105 and 6125 Diesel Engines (With Lucas Engine Controllers, Level 6, Electronic Fuel System), Op & Test	CTM114919
185 Series Hydraulic Cylinders	CTM114319
120 Series Hydraulic Cylinders	CTM10006
JDLINK/ZXLINK Machine Monitoring System	CTM100
PowerTech 10.5 L & 12.5 L Diesel Base Engine	

PDF  **DOWNLOAD** 

John Deere Construction and Forestry
Printed by Belgreen

TM2083

Covers: 744J,824J

Type: Service Manual

Language: English

Pages: 1047

Format: PDF

Features: Bookmarked, searchable, printable

Compatibility: Windows/Mac/Tablet/Mobile

This service manual contains important information for the maintenance, troubleshooting and servicing of the **John Deere 744J and 824J 4WD Loaders Diagnostic, Operation and Test Service Manual (TM2083)**

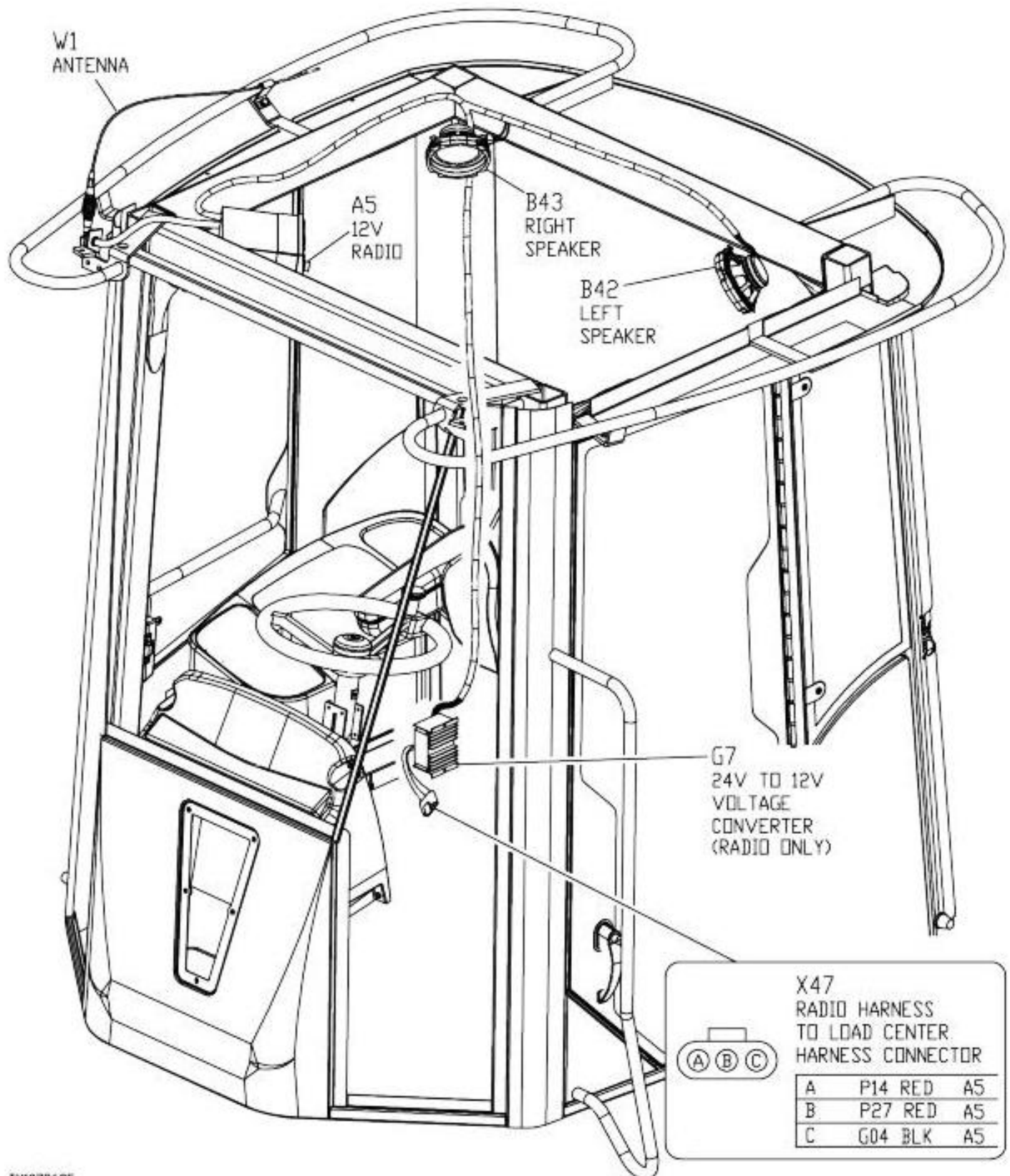
In this manual you will find detailed specifications, illustrations, schematics, diagrams and step-by-step procedures to properly service and diagnose the machine to the manufacturer's standards.

Contents:

- General Information
- Specifications
- Serial Number Location
- Engine Specifications
- Engine Diagnostics
- Engine Tests and Adjustments
- Engine Repair
- Power Train
- Transmission
- Axles
- Differential
- PTO
- Hydraulic System
- Electrical System
- Electrical Tests and Diagnostics
- Wiring Diagram / Schematic
- Ignition and Charging
- Steering
- Brakes
- Wheels
- Operator's Platform
- Body Panels
- Disassembly and Assembly
- Diagnostics, Tests and Adjustments
- Troubleshooting
- and much more...

Please note this manual is in **downloadable PDF format only**. If you have any questions about this product or would like to request sample pages, please contact us and reference the product name or SKU.

Radio Harness (W34) Component Location (S.N. —590067)



TX1073695

Radio Harness (W34) Component Location

LEGEND:

A5	Radio
B42	Left Speaker
B43	Right Speaker
G7	24 V to 12 V Voltage Converter (radio only)



Thank you very much
for your reading.
Please click here
to get more information.