


John Deere 744K Series II 4WD Loader (SN. from 664101) Diagnostic & Test Service Manual (TM13219X19)

444H, 544H 4WD Loader;
TC44H, TC54H Tool Carrier
Diagnostic





OPERATION AND TEST MANUAL

4WD Loaders models 444H, 544H; Tool Carrier models TC44H, TC54H


TM1604 22 FEB 05 (ENGLISH)

For complete service information also see:

125 Series Hydraulic Cylinders	TM-H125A
120 Series Hydraulic Cylinders	TM-H120A
444H, 544H Loader and TC44H, TC54H Tool Carrier Repair	TM1605
Alternators and Starting Motors	CTM77
TeamMate III 1000 Planetary Axles	CTM150
PowerTech 4.5L & 5.0L IAA, Tier 3/Stage I	

John Deere Construction and Forestry
Printed by Belgreen



TM1604

Covers: 744K-II,1DW744K***C664101-;,1DW744K***D664101-)

Type: Service Manual

Language: English

Pages: 1460

Format: PDF

Features: Bookmarked, searchable, printable

Compatibility: Windows/Mac/Tablet/Mobile

This service manual contains important information for the maintenance, troubleshooting and servicing of the **John Deere 744K Series II 4WD Loader (SN. from 664101) Diagnostic & Test Service Manual (TM13219X19)**

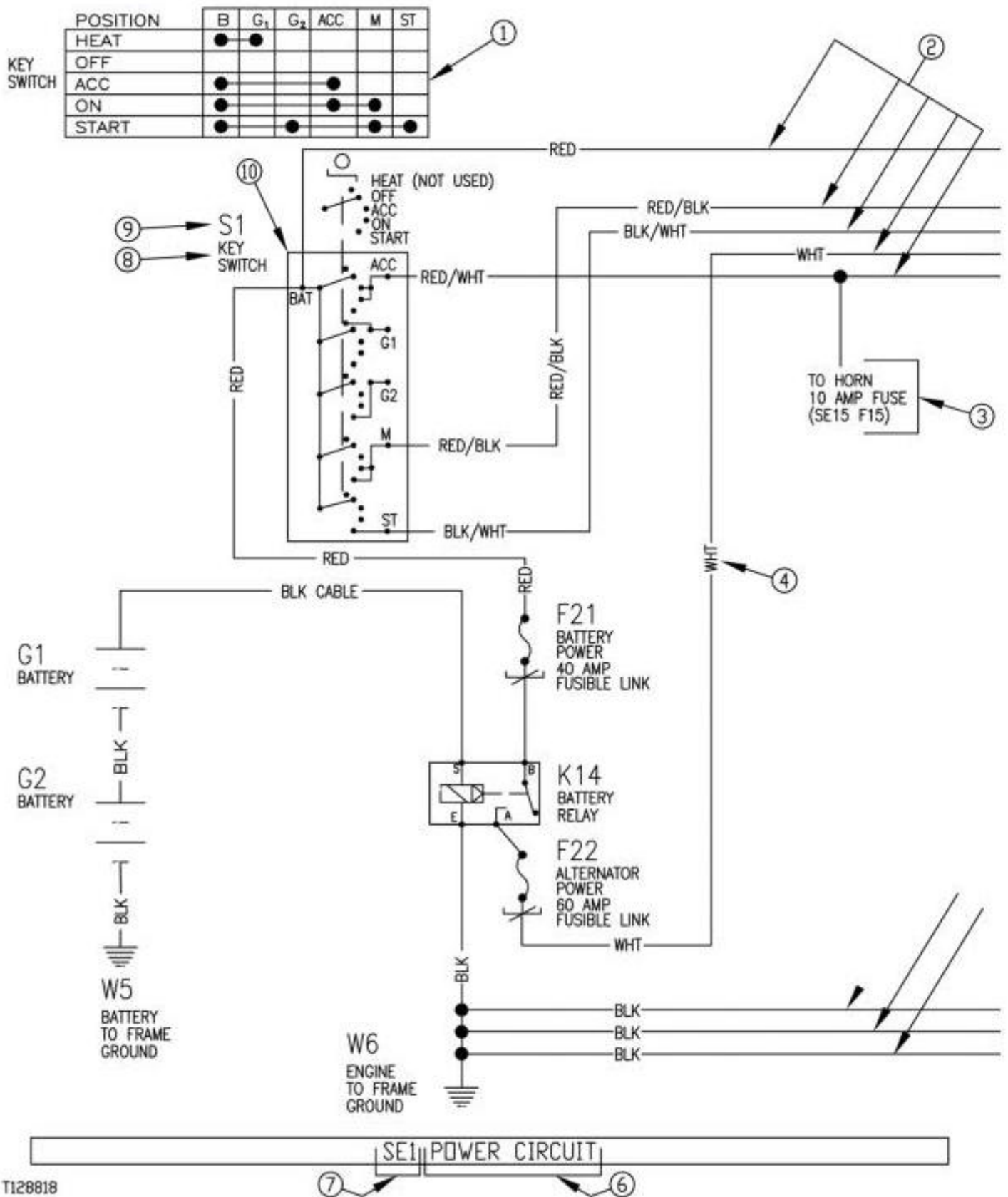
In this manual you will find detailed specifications, illustrations, schematics, diagrams and step-by-step procedures to properly service and diagnose the machine to the manufacturer's standards.

Contents:

- General Information
- Specifications
- Serial Number Location
- Engine Specifications
- Engine Diagnostics
- Engine Tests and Adjustments
- Engine Repair
- Power Train
- Transmission
- Axles
- Differential
- PTO
- Hydraulic System
- Electrical System
- Electrical Tests and Diagnostics
- Wiring Diagram / Schematic
- Ignition and Charging
- Steering
- Brakes
- Wheels
- Operator's Platform
- Body Panels
- Disassembly and Assembly
- Diagnostics, Tests and Adjustments
- Troubleshooting
- and much more...

Please note this manual is in **downloadable PDF format only**. If you have any questions about this product or would like to request sample pages, please contact us and reference the product name or SKU.

Reading a System Functional Schematic



T128818

Reading a System Functional Schematic

- LEGEND:**
- 1 Continuity Chart
 - 2 Power Wires
 - 3 Routing Location Information
 - 4 Wire Identification



Thank you very much
for your reading.
Please click here
to get more information.